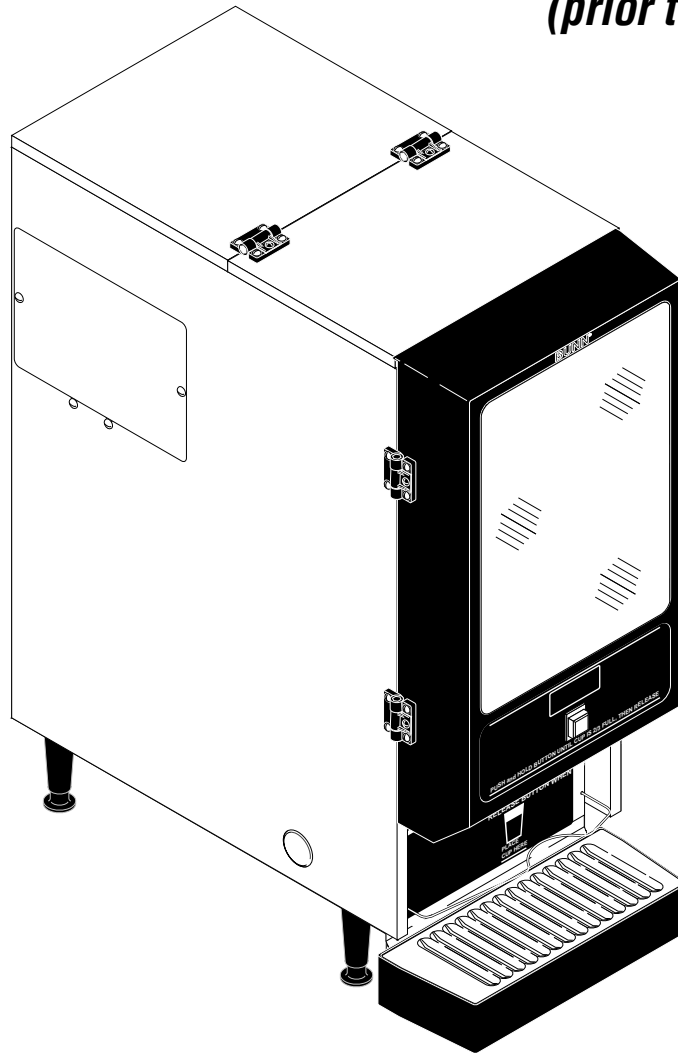


# BUNN®

# *FMD-1*

*(prior to S/N FMD0013000)*



## ILLUSTRATED PARTS CATALOG

Designs, materials, weights, specifications, and dimensions for equipment or replacement parts are subject to change without notice.

### **BUNN-O-MATIC CORPORATION**

POST OFFICE BOX 3227

SPRINGFIELD, ILLINOIS 62708-3227

PHONE: (217) 529-6601 FAX: (217) 529-6644

## WARRANTY

Bunn-O-Matic Corp. ("Bunn") warrants the equipment manufactured by it to be commercially free from defects in material and workmanship existing at the time of manufacture and appearing within one year from the date of installation. In addition:

1.) Bunn warrants electronic circuit and/or control boards to be commercially free from defects in material and workmanship for three years from the date of installation.

2.) Bunn warrants the compressor on refrigeration equipment to be commercially free from defects in material and workmanship for two years from the date of installation.

3.) Bunn warrants that the grinding burrs on coffee grinding equipment will grind coffee to meet original factory screen sieve analysis for three years from date of installation or for 30,000 pounds of coffee, whichever comes first.

This warranty does not apply to any equipment, component or part that was not manufactured by Bunn or that, in Bunn's judgement, has been affected by misuse, neglect, alteration, improper installation or operation, improper maintenance or repair, damage or casualty.

**THE FOREGOING WARRANTY IS EXCLUSIVE AND IS IN LIEU OF ANY OTHER WARRANTY, WRITTEN OR ORAL, EXPRESS OR IMPLIED, INCLUDING, BUT NOT LIMITED TO, ANY IMPLIED WARRANTY OF EITHER MERCHANTABILITY OR FITNESS FOR A PARTICULAR PURPOSE.** The agents, dealers or employees of Bunn are not authorized to make modifications to this warranty or to make additional warranties that are binding on Bunn. Accordingly, statements by such individuals, whether oral or written, do not constitute warranties and should not be relied upon.

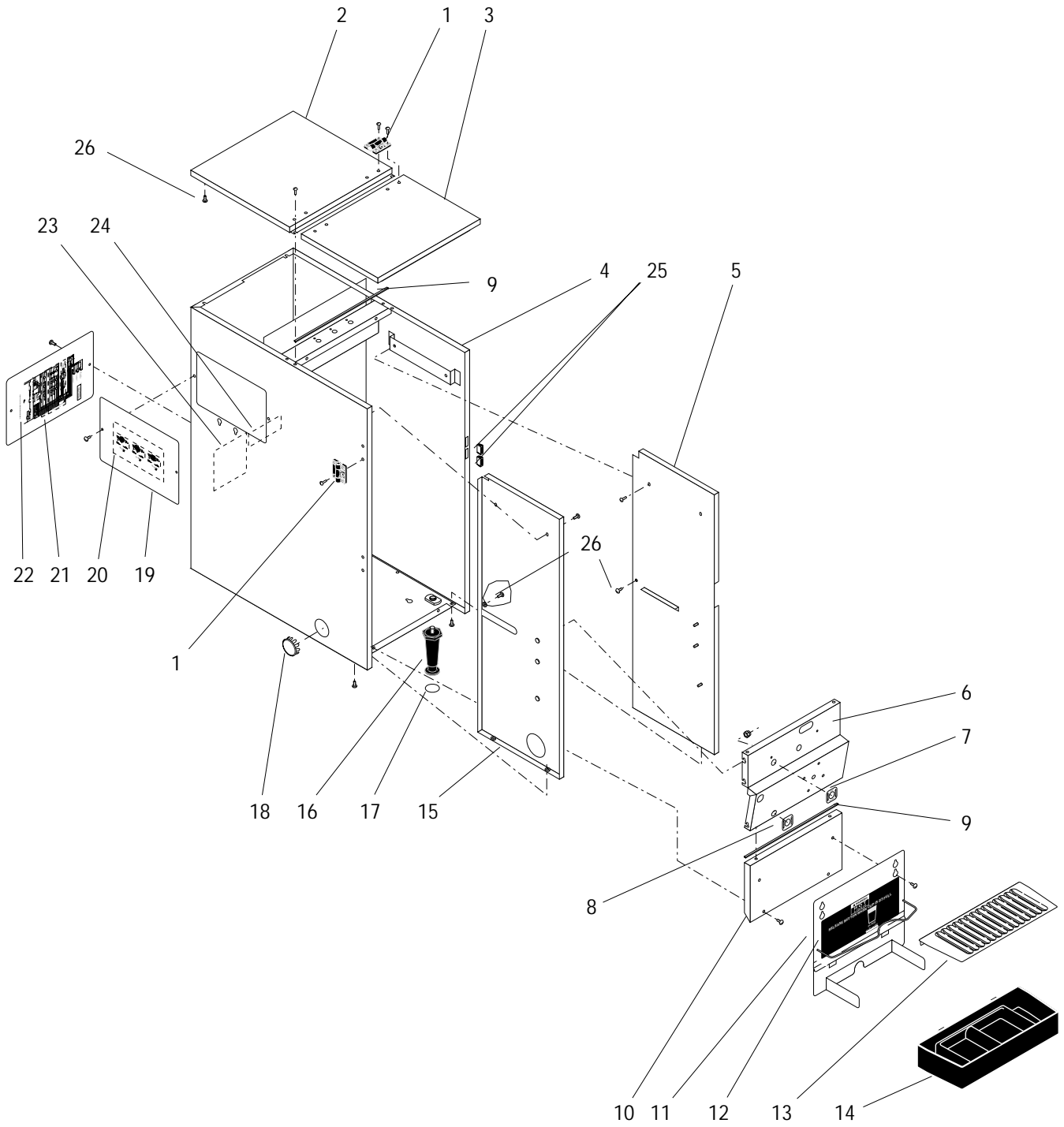
The Buyer shall give Bunn prompt notice of any claim to be made under this warranty by telephone at (217) 529-6601 or by writing to Post Office Box 3227, Springfield, Illinois, 62708-3227. If requested by Bunn, the Buyer shall ship the defective equipment prepaid to an authorized Bunn service location. If Bunn determines, in its sole discretion, that the equipment does not conform to the warranty, Bunn shall repair the equipment with no charge for parts during the warranty period and no charge for labor by a Bunn Authorized Service Representative during the warranty period. If Bunn determines that repair is not feasible, Bunn shall, at its sole option, replace the equipment or refund the purchase price for the equipment.

**THE BUYER'S REMEDY AGAINST BUNN FOR THE BREACH OF ANY OBLIGATION ARISING OUT OF THE SALE OF THIS EQUIPMENT, WHETHER DERIVED FROM WARRANTY OR OTHERWISE, SHALL BE LIMITED, AS SPECIFIED HEREIN, TO REPAIR OR, AT BUNN'S SOLE OPTION, REPLACEMENT OR REFUND.**

In no event shall Bunn be liable for any other damage or loss, including, but not limited to, lost profits, lost sales, loss of use of equipment, claims of Buyer's customers, cost of capital, cost of down time, cost of substitute equipment, facilities or services, or any other special, incidental or consequential damages.

# TABLE OF CONTENTS

TITLE	PAGE NO.
Auger Drive and Hopper Assembly .....	10
Covers, Panels and Drip Tray .....	4
Dispense Valve and Lines .....	18
Door, Lamp, Dispense Switch and Panels .....	8
Electrical Controls .....	20
Mixing/Whipper Chambers and Drive Motor .....	12
Numerical Index .....	22
Strainer, Solenoid, Fill Valve and Lines .....	16
Tank, Heater and Overflow Protection .....	14

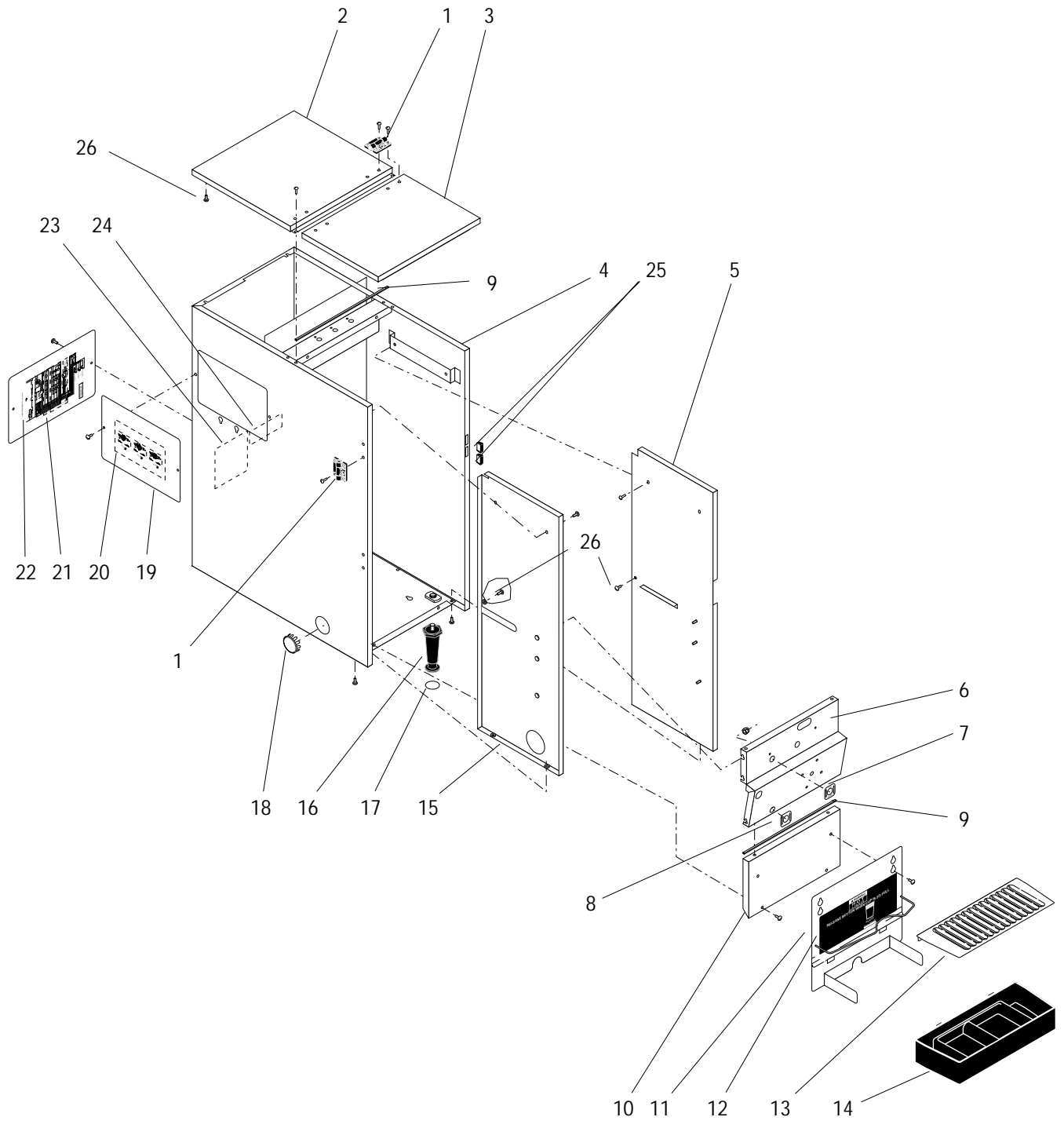


## COVERS, PANELS AND DRIP TRAY

ITEM	PART NO.	QTY.	DESCRIPTION
1	26504.0000	4	Hinge
	02308.0000	12	Screw, Pan Head #8-32 x .375"
2	28299.0000	1	Cover, Top Rear - BLK
	28671.0000	1	Cover, Top Rear - SST
	02308.0000	2	Screw, Pan Head #8-32 x .375"
3	28204.0000	1	Cover, Top Front - BLK
	28670.0000	1	Cover, Top Front - SST
4	28209.1000	1	Housing W/Decals - BLK (Includes items 23 & 24)
	28661.1000	1	Housing W/Decals - SST (Includes items 23 & 24)
5	28269.0001	1	Panel, Right
	01311.0001	4	Screw, Truss Head - Locking #8-32 x .25"
6	28675.0000	1	Panel, Whipper Motor Mounting (Also order items 7 & 8)
	00991.0000	6	Nut, Elastic Lock #8-32
7	26524.0000	1	Decal, Tank Heater Switch
8	26523.0000	1	Decal, Rinse/Run Switch
9	-----	2	Gasket, Foam W/Adhesive (Order item 27)
10	28283.0000	1	Panel, Lower Front Access
	01311.0001	2	Screw, Truss Head - Locking #8 - 32 x .25"
11	28436.0002	1	Panel W/Decal, Splash (Includes item 12)
	01311.0000	2	Screw, Truss Head #8 - 32 x .25"
12	28328.0002	1	Decal, Caution-Hot Liquid & Cup Placement
13	28267.0000	1	Cover, Drip Tray
14	28268.0000	1	Drip Tray Assembly
15	28269.0000	1	Panel, Left
	01311.0001	4	Screw, Truss Head - Locking #8-32 x .25"
16	26528.0000	4	Leg, 4.0" Adjustable (Also see item 28)
17	03996.0000	4	Pad, Rubber 1.25" Dia. (Also see item 28)
18	23164.0002	1	Plug, Hole 1.50" Dia. - BLK
	00619.0011	1	Plug, Hole 1.50" Dia.- SST
19	28206.0000	1	Cover, Left Side Access - BLK (Also order item 20)
	28668.0000	1	Cover, Left Side Access - SST (Also order item 20)
	01311.0003	2	Screw, Truss Head - BLK #8-32 x .25"
	01311.0000	2	Screw, Truss Head - SST #8-32 x .25"
20	28368.0000	1	Decal, Thermostat Adjustment
21	28435.0000	1	Cover, Rear Access - BLK (Includes item 22)
	28684.0000	1	Cover, Rear Access - SST (Includes item 22)
	01311.0003	2	Screw, Truss Head - BLK #8-32 x .25"
	01311.0000	2	Screw, Truss Head - SST #8-32 x .25"
22	28341.0000	1	Schematic, 120V, 120/208V & 120/240V

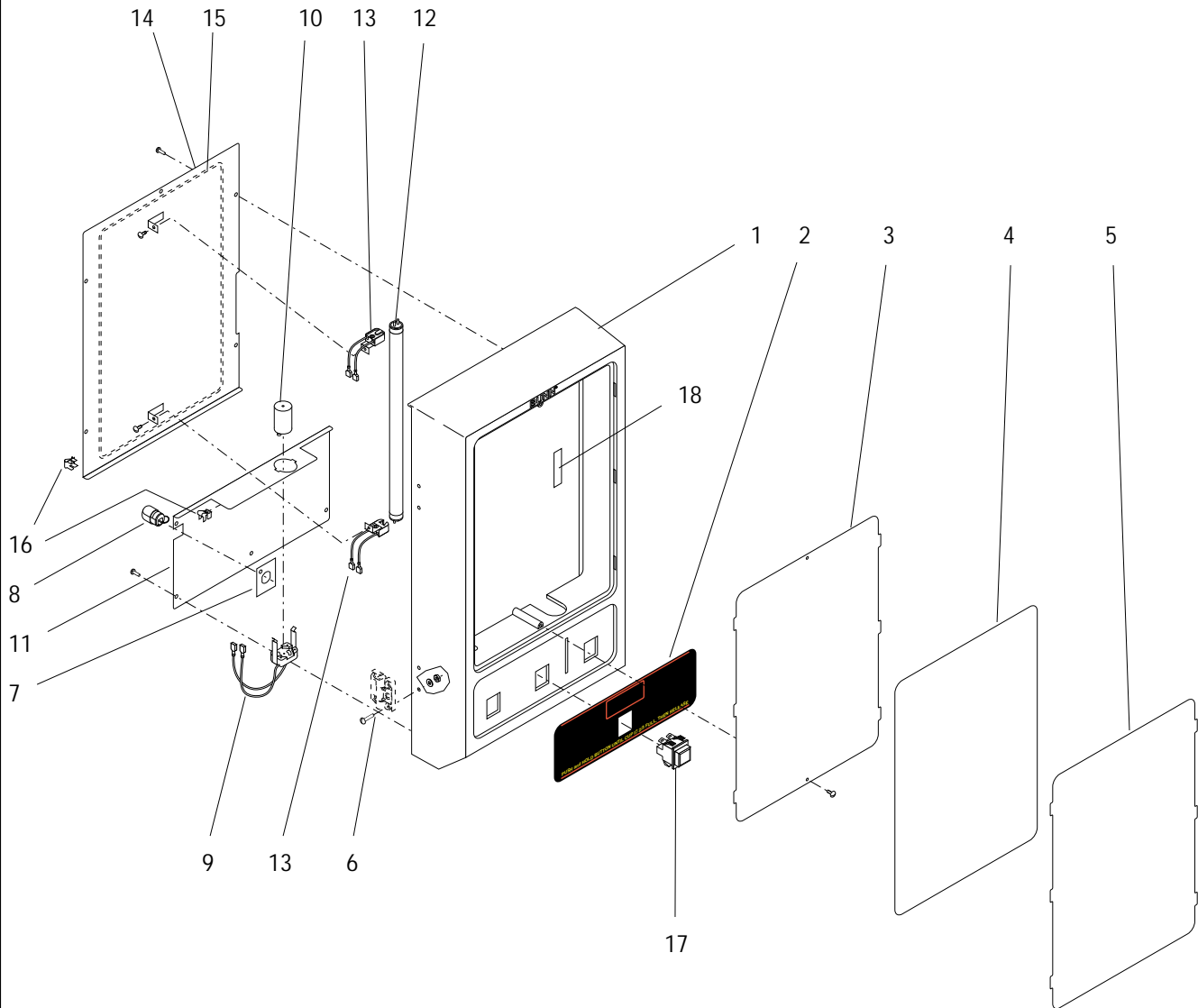
(Continued)

(Continued)



## COVERS, PANELS AND DRIP TRAY

ITEM	PART NO.	QTY.	DESCRIPTION
23	00831.0000	1	Decal, Warning-Electrical
24	00656.0000	1	Decal, Comply to Plumbing Code
25	21436.0000	2	Catch, Magnetic
26	01311.0001	4	Screw,Truss Head - Locking #8-32 x .375"
27	28366.1000	-	Gasket, Foam W/Adhesive - 12" LG
	28366.1001	-	Gasket, Foam W/Adhesive - 36" LG
	28366.1002	-	Gasket, Foam W/Adhesive - 120" LG
28	13255.0003	-	Kit, Leg 4.0" Adjustable (Includes 4 each of items 16 & 17) (Not Illustrated)

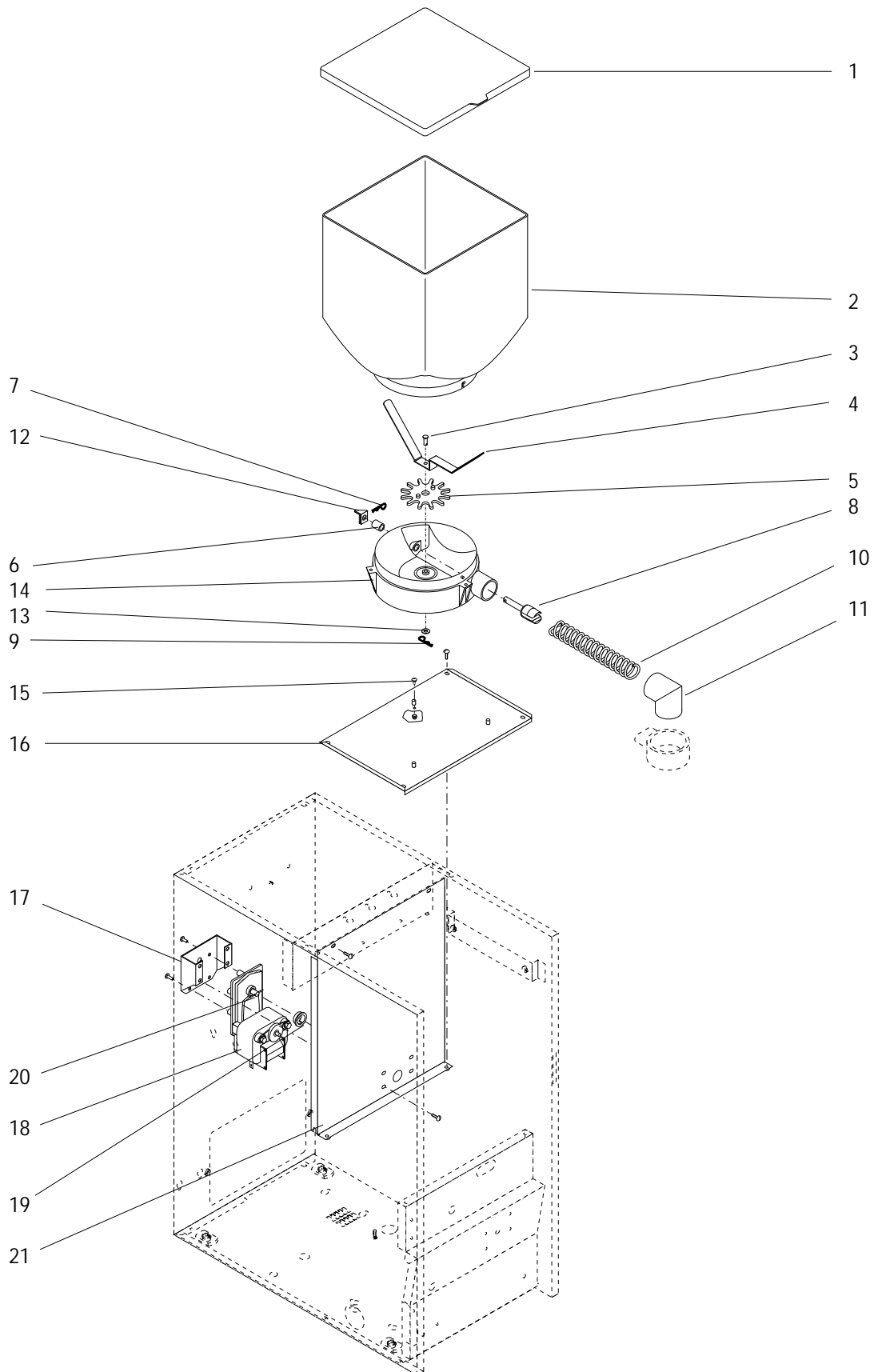




## DOOR, LAMP, DISPENSE SWITCH AND PANELS

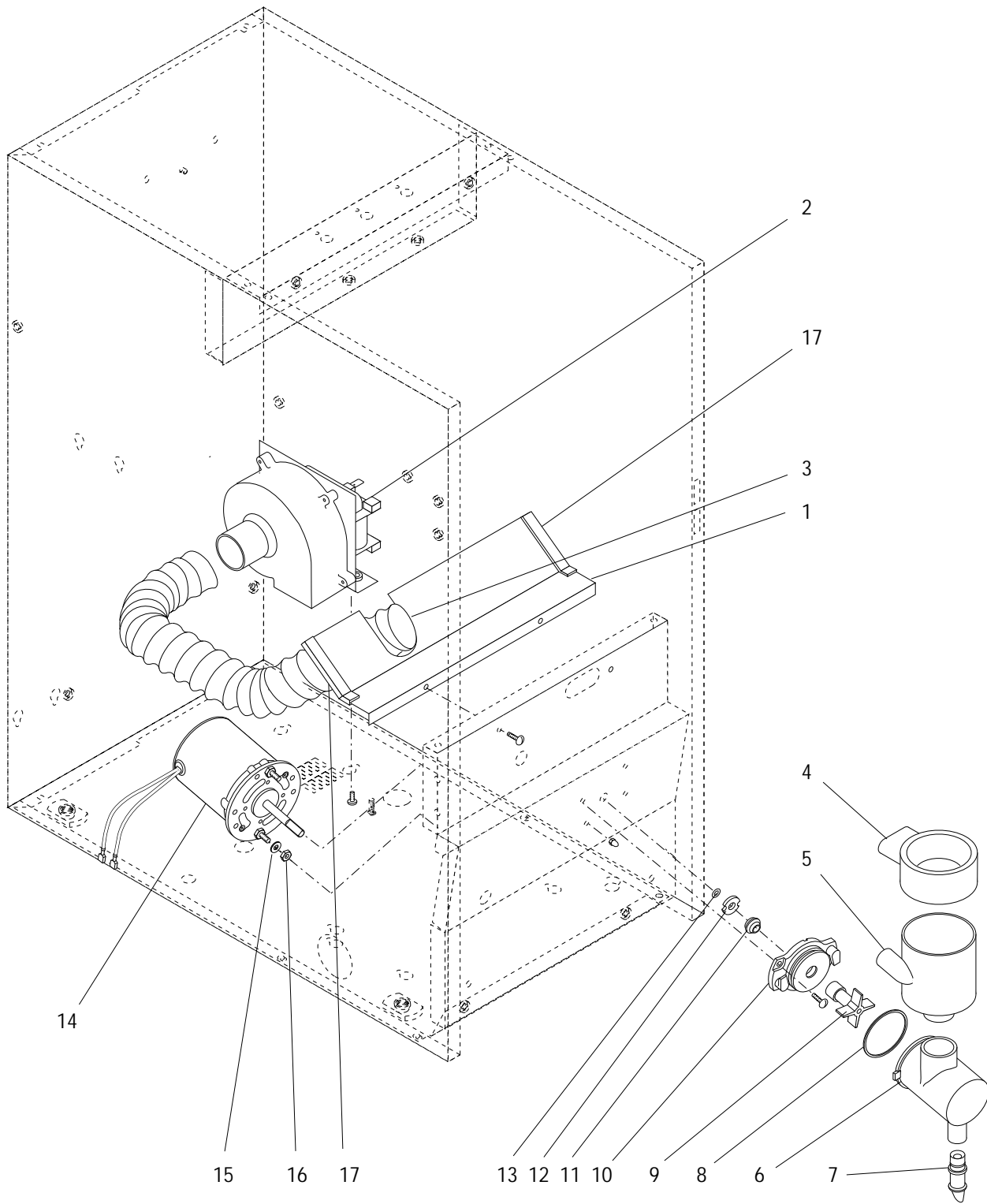
ITEM	PART NO.	QTY.	DESCRIPTION
1	28147.1001	1	Door W/Decals (Includes items 2 and 18)
	01390.0000	4	Screw, Round Head #8-32 x .625"
	01522.0000	4	Washer, Flat .203 I.D. x .50 O.D."
	00991.0000	4	Nut, Elastic Stop #8-32
2	28301.0001	1	Decal, Door Front
3	28284.0001	1	Window, Door - Inside
	02336.0000	2	Screw, Truss Head #4-40 x .375"
4	28362.0000	1	Display, Graphics (Cafe Scene)
5	28284.0000	1	Window, Door - Outside
6	-----	1	Hinge, Door (See Covers, Panels and Drip Tray)
7	26892.0000	1	Plate, Strain Relief
8	26444.0000	2	Bushing, Strain Relief
9	28325.0000	1	Socket W/Terminals, Starter
10	27619.0000	1	Starter, Lamp
11	28261.0000	1	Panel, Door - Lower
	01383.0001	5	Screw, Pan Head #6-32 x .375"
12	26239.0000	1	Lamp, Fluorescent - 8 Watts
13	28322.0000	2	Lamp Holder, Fluorescent
	02328.0002	2	Screw, Pan Head #6 - 32 x .188"
14	28332.1001	1	Panel W/Decal, Door - Upper (Includes item 15)
	01383.0001	5	Screw, Truss Head #6 - 32 x .25"
15	28370.0001	1	Decal, Cleaning
16	28335.0000	2	Clip, Ground
17	28296.0000	1	Switch Assembly, Dispense
18	27298.0000	1	Striker Assy.
19	21004.0192	1	Lead, Electrical 18AWG Green - 11.5 " Lg
20	28338.0000	1	Wiring Harness, Door Interconnect 120V (Includes item 7 & 1 of item 8)
21	28336.0000	1	Wiring Harness, Door 120V
22	26537.0000	1	Decal, Flavors (Almond Amaretto, Cappuccino, French Vanilla, Hazelnut, Hot Chocolate and Raspberry Mocha)
	26537.0001	1	Decal, Flavors (Swiss Mocha, Mocha, Raspberry Vanilla, Irish Creme, Coffee and Original)
	26537.0003	1	Decal, Flavors (White Chocolate, Cinnamon Vanilla Nut, Decaf, Regular, French Vanilla and Hot Chocolate)
	26537.0007	1	Decal, Flavors (Fat Free French Vanilla, Cinnamon Vanilla, Cinnamon Vanilla Nut, English Toffee, Hot Chocolate and Apple Cider)

Not  
illustrated



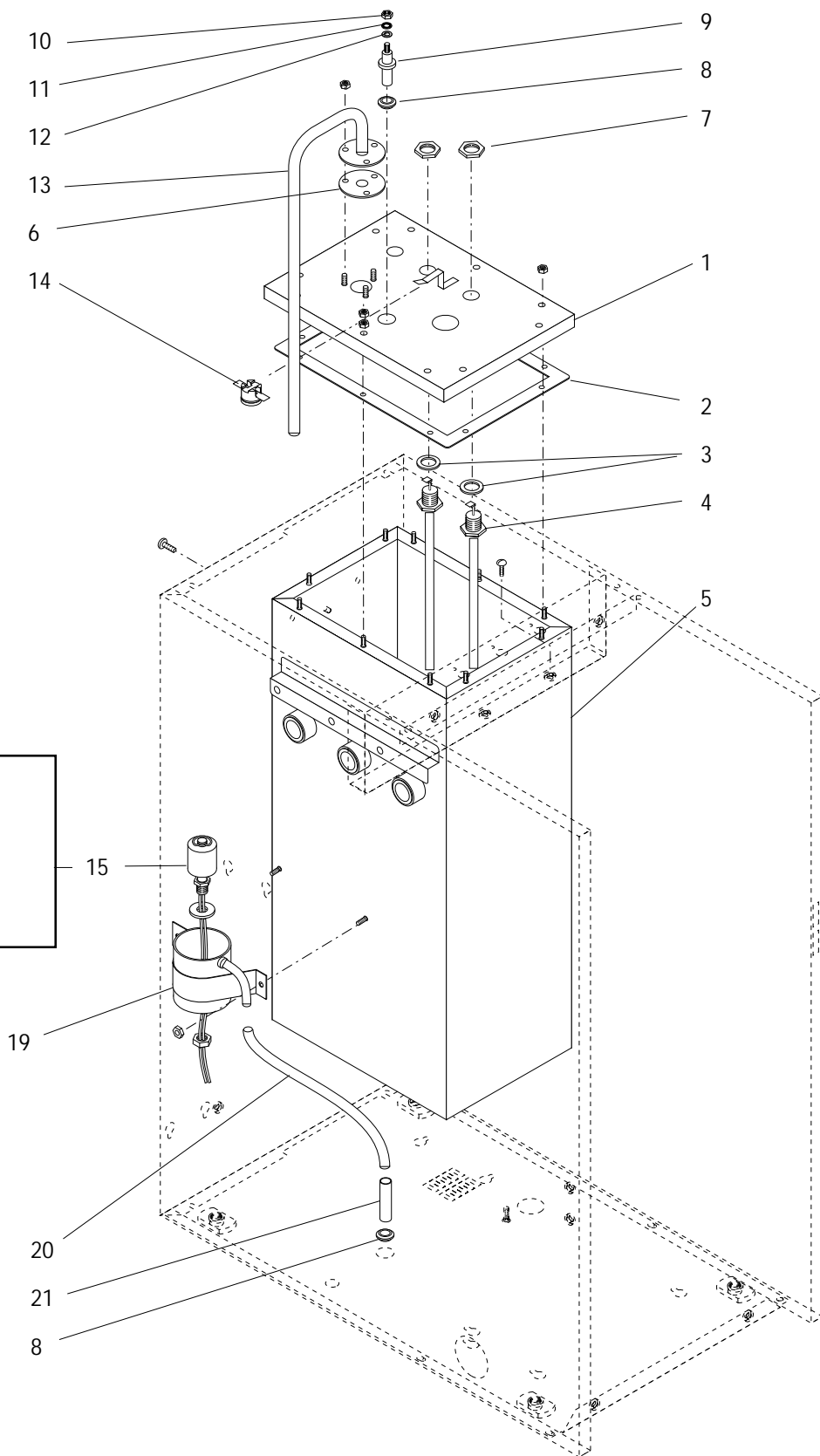
## AUGER DRIVE AND HOPPER ASSEMBLY

ITEM	PART NO.	QTY.	DESCRIPTION
-	25894.1000	1	Hopper & Auger Drive Assy (8 Tooth Drive Gear) (Includes items 1 thru 14)
1	25904.0000	1	Lid, Hopper
2	25895.0000	1	Hopper
3	21357.0000	1	Shaft, Wiper
4	21747.0000	1	Blade, Wiper
5	26680.0000	1	Gear, Wiper Drive (8 Teeth)
	21746.0000	1	Gear, Wiper Drive (12 Teeth)
6	25892.0000	1	Spacer, .312" I.D. x .437 O.D. x .56 LG
7	21358.0000	1	Clip, Retainer
8	26940.0001	1	Shaft, Auger Drive
9	21358.0000	1	Clip, Retainer
10	26112.0000	1	Auger, Wire (Use with 8 Tooth Wiper Drive Gear)
	21355.0000	1	Auger, Wire (Use with 12 Tooth Wiper Drive Gear)
11	25903.0000	1	Elbow, Ejector
12	25744.0000	1	Bracket, Auger Drive
13	01522.0000	1	Washer, .203" I.D. x .50" O.D.
14	21465.0001	1	Base, Hopper
15	20960.0000	1	Screw, Shoulder #6 - 32 x .375"
	00991.0002	1	Nut, Hex # 6 - 32
16	28677.0000	1	Panel, Hopper Support
	01311.0000	4	Screw, Elastic Lock # 8 - 32 x .25"
17	25794.0000	1	Bracket, Motor Mounting
	01311.0001	4	Screw, Truss Head 8 - 32 x .25" Locking
18	26754.0000	1	Gearmotor W/Pin, Auger (Includes item 20)
	01311.0000	4	Screw, Truss Head 8 - 32 x .25"
19	26401.0000	1	Dust Seal, Hopper Motor
20	26247.0000	1	Pin, Spring .094" Dia. x 1.0"
21	28673.0000	1	Panel, Hopper Motor Mounting
	01311.0001	2	Screw, Truss Head - Locking #8-32 x .25"



## MIXING/WHIPPER CHAMBERS AND DRIVE MOTOR

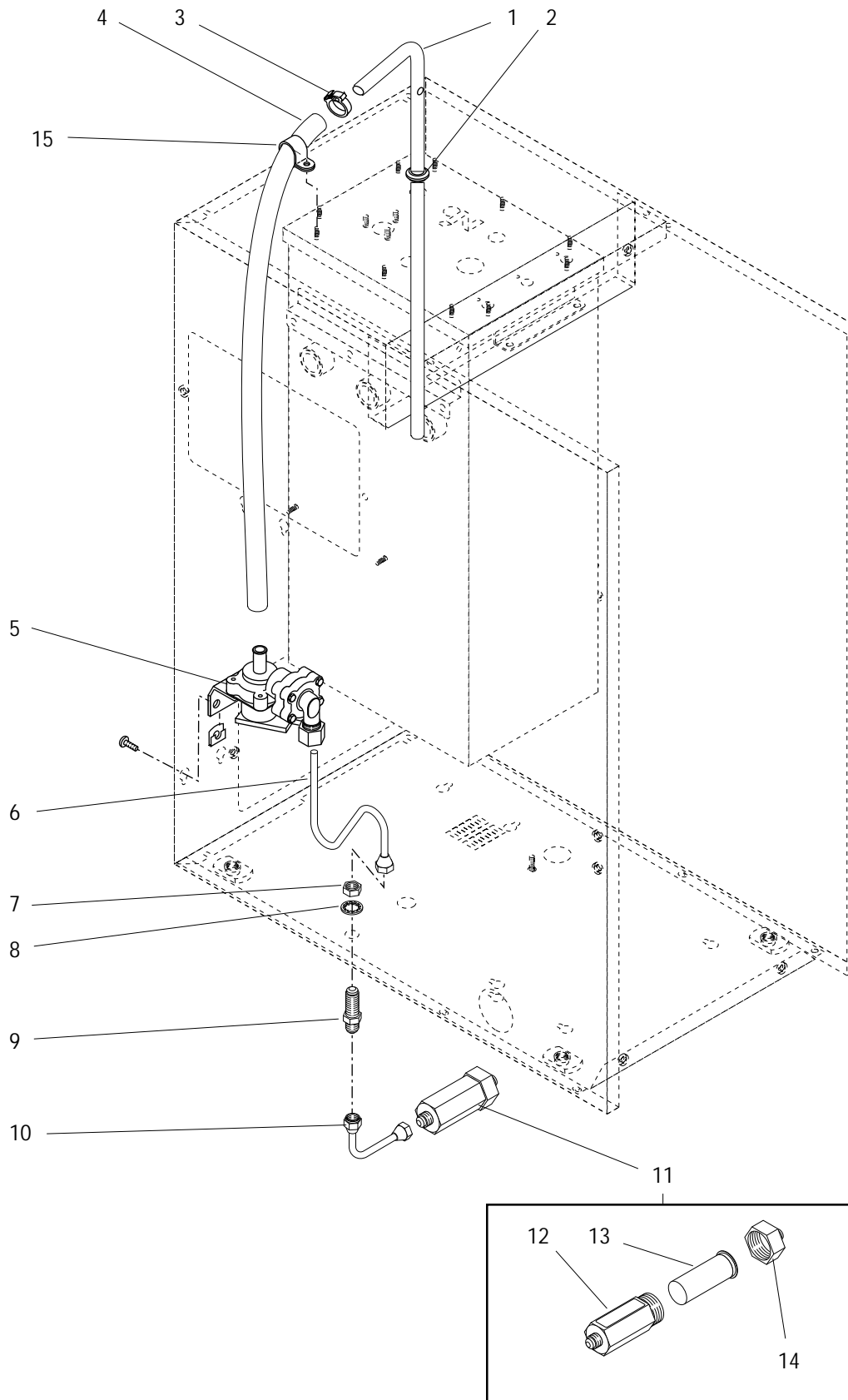
ITEM	PART NO.	QTY.	DESCRIPTION
1	28208.1000	1	Baffle Assembly, Fan (Includes item 17)
	02336.0000	2	Screw, Truss Head #4-40 x .25"
2	28295.0000	1	Fan & Bracket Assembly (120V)
	01311.0001	2	Screw, Truss Head - Locking #8-32 x .25"
3	28297.0000	1	Hose, Vacuum
4	25732.0000	1	Steam Collector
5	25733.0000	1	Mixing Chamber
6	25734.0000	1	Whipper Chamber
7	25736.0000	1	Dispense Tip
8	24733.0010	1	O-Ring
9	25902.0000	1	Frother
10	26359.0000	1	Receptacle, Whipper Chamber
	02328.0003	2	Screw, Pan Head #6 - 32 x .312"
11	26356.0000	1	Seal, Shaft
12	26355.0000	1	Washer, Teflon
13	24331.0000	1	O-Ring
14	26393.1000	1	Motor, Whipper 120V (Includes items 15 & 16)
	02324.0000	2	Nut, Acorn - High Crown #8 - 32
15	01522.0000	-	Washer, Shimming (Use as Required)
16	00908.0000	2	Nut, Hex #8-32
17	-----	2	Gasket, Silicone 2.25" LG (Order item 18)
18	02434.1000	-	Gasket, Silicone 18" LG



## TANK, HEATER AND OVERFLOW PROTECTION

ITEM	PART NO.	QTY.	DESCRIPTION
1	28281.0000	1	Lid, Tank
	00908.0000	10	Nut, Hex #8 - 32
2	22978.0000	1	Gasket, Tank Lid
3	00943.0000	2	Gasket, Tank Heater
4	20201.4151	1	Tank Heater Kit, 1700W 120V (Includes item 3)
5	24547.0002	1	Tank
	02308.0000	2	Screw, Pan Head - Serrated #8-32 x .375"
	01311.0003	2	Screw, Truss Head - Locking #8 - 32 x .375" BLK
6	05515.0000	1	Gasket, Overflow Tube
7	00942.0000	2	Nut, Hex .50" - 20
8	02536.0000	2	Grommet, .375" I.D.
9	26665.1000	1	Probe Kit (Includes items 10, 11 & 12)
10	00908.0000	1	Nut, Hex #8 - 32
11	20203.0100	1	Lockwasher, Internal Tooth #8
12	01501.0000	1	Washer, Flat .16" I.D. x .375" O.D.
13	28292.0000	1	Tube Assy, Overflow
	00908.0000	3	Nut, Hex #8-32
14	29329.1000	1	Thermostat, Limit
15	03803.0000	1	Switch Assy, Liquid Level (Includes items 16, 17 & 18)
	00946.0000	1	Nut, Hex .125" FPT
16	03807.0000	1	Clip, Spring
17	-----	3	Washer, Adjusting (DO NOT USE IN THIS APPLICATION)
18	03633.0000	2	Gasket, Float Switch (Only 1 used in this application)
19	12552.0000	1	Overflow Cup
	00908.0000	2	Nut, Hex #8 - 32
20	-----	1	Tube, Silicone .312" I.D. x 11.5" (Order item 23)
21	21801.0002	1	Tube, .375" O.D. x 1.50"
22	01570.0000	2	Wire Nut, 2 - 24 AWG - Liquid Level SwitchLeads
23	28526.1000	-	Tube, Silicone .312" I.D. x .438" O.D. x 12"
	28526.1001	-	Tube, Silicone .312" I.D. x .438" O.D. x 36.00"
	28526.1002	-	Tube, Silicone .312" I.D. x .438" O.D. x 120.00"
	28526.1003	-	Tube, Silicone .312" I.D. x .438" O.D. x 60.00"

Not illustrated

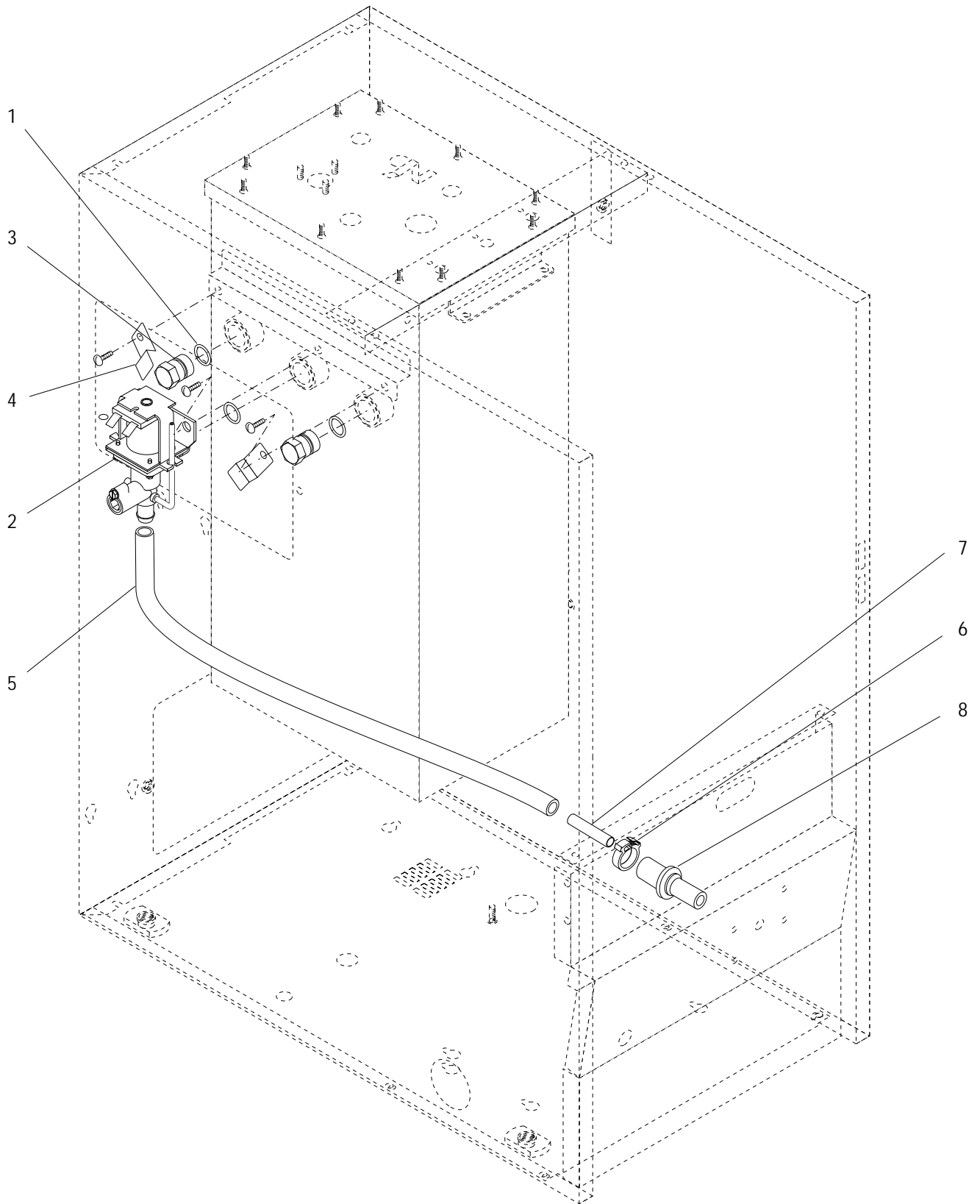




## STRAINER, SOLENOID, FILL VALVE AND LINES

ITEM	PART NO.	QTY.	DESCRIPTION
1	28298.0000	1	Tube, Tank Fill
2	02536.0000	1	Grommet, .375" I.D.
3	12422.0001	1	Clamp, Hose .59"/.66" I.D.
4	-----	1	Tube, Silicone .312" I.D. x .438" O.D. x 22.75" (Order item 16)
5	26135.0001	1	Valve Assy, Solenoid 120V (Serviced only as an assembly)(See Item 17)
	02322.0002	2	Screw, Truss Head #8-32 x .375" BLK
	00938.0000	2	Fastener, U-Type #8-32
6	26661.0000	1	Tube Assy, Water Inlet
7	00463.0000	1	Nut, Hex .438" - 20
8	01532.0000	1	Lockwasher, Internal Tooth .438"
9	00459.0000	1	Fitting, Bulkhead
10	21814.0016	1	Tube Assy
11	23820.1000	1	Water Strainer Assy (Includes item 12 thru 14)
12	-----	1	Body (Not available order item 11)
13	23721.0000	1	Screen
14	22249.0000	1	End Cap
15	00620.0000	1	Clamp, Hose
16	28526.1001	-	Tube, Silicone .312" I.D. x .438" O.D. x 36"
	28526.1002	-	Tube, Silicone .312" I.D. x .438" O.D. x 120"
	28526.1003	-	Tube, Silicone .312" I.D. x .438" O.D. x 60"
17	26131.0000	-	Kit, Nut/O-Ring (Includes nut, spacer, grab ring, washer & 2 O-Rings)

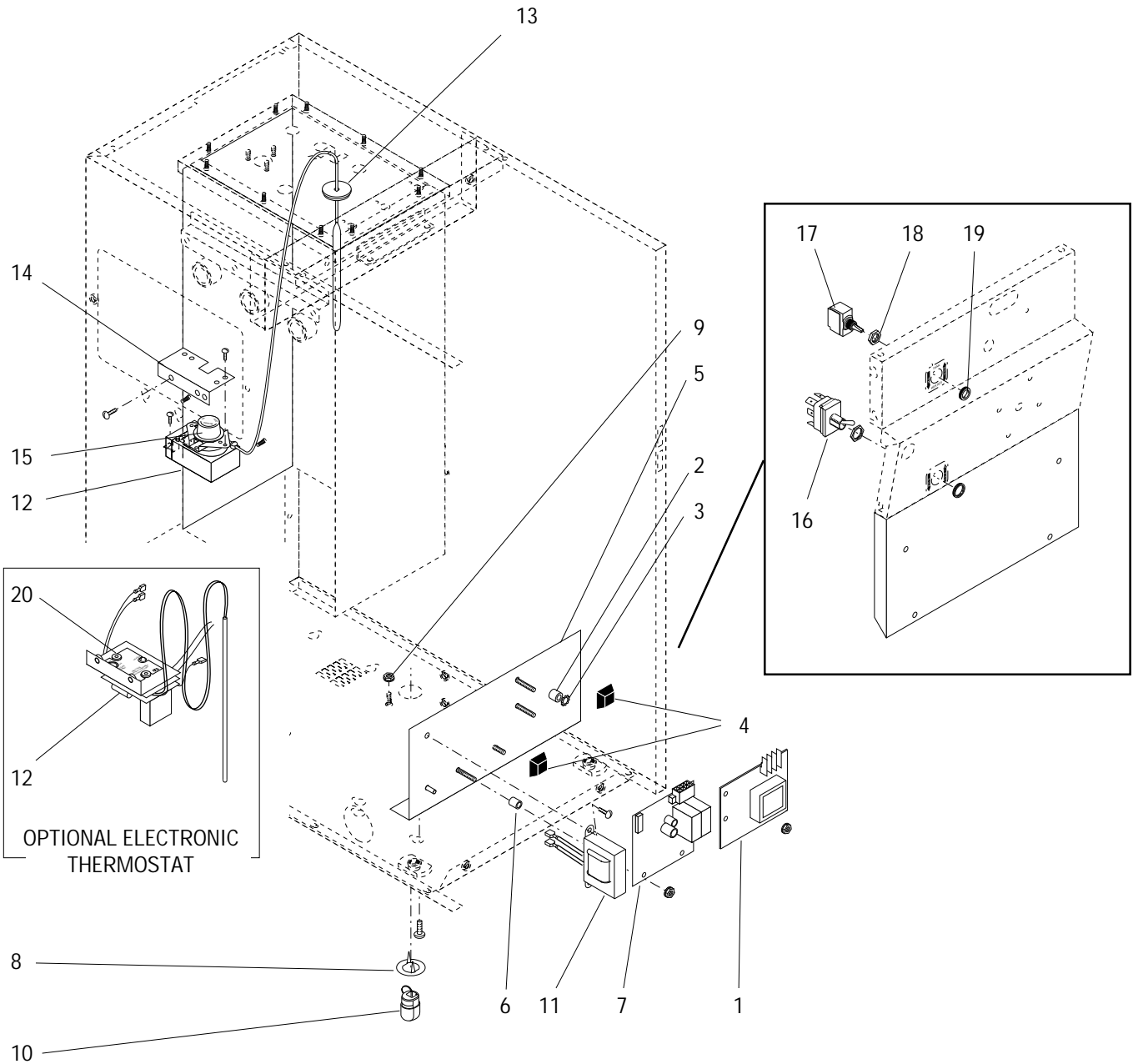
Not  
illustrated



## DISPENSE VALVE AND LINES

ITEM	PART NO.	QTY.	DESCRIPTION
1	24733.0011	3	O-Ring
2	26116.0002	1	Valve, Liquid Dispense 120V (See item 10)
	01326.0000	1	Screw, Truss Head #10 - 32 x .250"
3	26369.0000	2	Plug, Hole
4	26395.0000	2	Retainer, Plug
	02331.0000	2	Screw, Truss Head #10-32 x .375"
5	-----	1	Tube, Silicone .312" I.D. x .438" O.D. x 16.0" (Order item 9)
6	12422.0001	1	Clamp, Hose .59"/.66" I.D.
7	21801.0002	1	Tube, .375" O.D. x 1.50"
8	25803.0000		Water Inlet, Mixing Chamber
9	28526.1001	-	Tube, Silicone .312" I.D. x .438" O.D. x 36.0"
	28526.1002	-	Tube, Silicone .312" I.D. x .438" O.D. x 120.0"
	28526.1003	-	Tube, Silicone .312" I.D. x .438" O.D. x 60.0"
10	28187.0000	1	Kit, Dispense Valve Diaphragm

} Not  
illustrated



## ELECTRICAL CONTROLS

ITEM	PART NO.	QTY.	DESCRIPTION
1	07074.1000	1	Control Board, Level - 120V 5 SEC
	00970.0000	2	Nut, Keps #8 - 32
2	00450.0000	2	Spacer, .219" I.D. x .34" LG - Brass
3	01511.0000	2	Lockwasher, External Tooth #8
4	02547.0000	2	Foot, Rubber
5	28211.0000	1	Bracket, Component Mounting
	01311.0001	2	Screw, Truss Head - Locking #8-32 x .25"
6	01533.0000	2	Spacer, .171" I.D. x .375" O.D. x .375" LG - Nylon
7	28337.0000	1	Circuit Board, Hopper Delay 120V
	00970.0000	2	Nut, Keps #8-32
8	00715.0000	1	Adapter Washer, Strain Relief
9	00970.0000	1	Nut, Keps #8-32 - Power Cord Ground
10	00713.0000	1	Bushing, Strain Relief (120 volt dispensers only)
11	28327.0000	1	Ballast, 120V-60HZ W/Terminals
	02308.0000	1	Screw, Pan Head - Serrated #8-32 x .375"
12	-----	1	Thermostat Assembly, Mechanical 120V (Not Available. Order Item 24)
	02328.0003	2	Screw, Pan Head #6-32 x .25" (Mounting)
	20762.0000	2	Screw, Binding Head #8-32 x .25" (Terminal)(Not used w/Elec. Thermostat)
	26527.1003	1	Thermostat/Bracket Assy, Electronic 120V (Includes item 20)
13	07073.0000	1	Grommet
14	28224.0000	1	Bracket, Thermostat Mounting
	01311.0003	2	Screw, Truss Head - BLK #8-32 x .25"
	01311.0000	2	Screw, Truss Head - SST #8-32 x .25"
15	00720.0000	1	Knob, Thermostat Adjustment
16	02686.0000	1	Switch, Toggle ON/OFF (Includes mounting nuts)
17	23522.0000	1	Switch, Toggle ON/OFF-Tank Heater (Includes item 18, also order item 19)
18	23696.0000	1	Nut, Hex .469" - 32
19	23697.0000	1	Nut, Plastic Face .469" - 32
20	26536.0002	1	Decal, Thermostat Adjustment
21	20630.0008	1	Cord Assembly, Power 120V
22	28863.0000	1	Wiring Harness, Control - 120V (Mech. Therm.)
	28686.0001	1	Wiring Harness, Control - 120V (Electr. Therm.)
23	-----	1	Wiring Harness, Door (See Door, Lamps and Panels)
24	28239.0000	-	Thermostat Kit (Includes items 12, 14 & 15)

} Not illustrated

NUMERICAL INDEX

PART NO.	PAGE NO.	PART NO.	PAGE NO.	PART NO.	PAGE NO.	PART NO.	PAGE NO.
00450.0000	21	21004.0192	9	26537.0001	9	28526.1002	15,17,19
00459.0000	17	21355.0000	11	26537.0003	9	28526.1003	15,17,19
00463.0000	17	21357.0000	11	26537.0007	9	28661.1000	5
00619.0011	5	21358.0000	11	26661.0000	17	28668.0000	5
00620.0000	17	21436.0000	7	26665.1000	15	28670.0000	5
00656.0000	7	21465.0001	11	26680.0000	11	28671.0000	5
00713.0000	21	21746.0000	11	26754.0000	11	28673.0000	11
00715.0000	21	21747.0000	11	26892.0000	9	28675.0000	5
00720.0000	21	21801.0002	15,19	26940.0001	11	28677.0000	11
00831.0000	7	21814.0016	17	27298.0000	9	28684.0000	5
00908.0000	13,15	22249.0000	17	27619.0000	9	28686.0001	21
00938.0000	17	22978.0000	15	28147.1000	9	28863.0000	21
00942.0000	15	23164.0002	5	28187.0000	19	29329.1000	15
00943.0000	15	23522.0000	21	28204.0000	5		
00946.0000	15	23696.0000	21	28206.0000	5		
00970.0000	21	23697.0000	21	28208.1000	13		
00991.0000	5,9	23721.0000	17	28209.1000	5		
00991.0002	11	23820.1000	17	28211.0000	21		
01311.0000	5,11,21	24331.0000	13	28224.0000	21		
01311.0001	5,7,11,13,21	24547.0002	15	28239.0000	21		
01311.0003	5,15,21	24733.0010	13	28261.0000	9		
01326.0000	19	24733.0011	19	28267.0000	5		
01383.0001	9	25732.0000	13	28268.0000	5		
01390.0000	9	25733.0000	13	28269.0000	5		
01501.0000	15	25734.0000	13	28269.0001	5		
01511.0000	21	25736.0000	13	28281.0000	15		
01522.0000	9,11,13	25744.0000	11	28283.0000	5		
01532.0000	17	25794.0000	11	28284.0000	9		
01533.0000	21	25803.0000	19	28284.0001	9		
01570.0000	15	25892.0000	11	28292.0000	15		
02308.0000	5,15,21	25894.1000	11	28295.0000	13		
02322.0002	17	25895.0000	11	28296.0000	9		
02324.0000	13	25902.0000	13	28297.0000	13		
02328.0002	9	25903.0000	11	28298.0000	17		
02328.0003	13,21	25904.0000	11	28299.0000	5		
02331.0000	19	26112.0000	11	28301.0001	9		
02336.0000	9,13	26116.0002	19	28322.0000	9		
02434.1000	13	26131.0000	17	28325.0000	9		
02536.0000	15,17	26135.0001	17	28327.0000	21		
02547.0000	21	26239.0000	9	28328.0002	5		
02686.0000	21	26247.0000	11	28332.1001	9		
03633.0000	15	26355.0000	13	28335.0000	9		
03803.0000	15	26356.0000	13	28336.0000	9		
03807.0000	15	26359.0000	13	28337.0000	21		
03996.0000	5	26369.0000	19	28338.0000	9		
05515.0000	15	26393.1000	13	28341.0000	5		
07073.0000	21	26395.0000	19	28362.0000	9		
07074.1000	21	26401.0000	11	28366.1000	7		
12422.0001	17,19	26444.0000	9	28366.1001	7		
12552.0000	15	26504.0000	5	28366.1002	7		
13255.0003	7	26523.0000	5	28368.0000	5		
20201.4151	15	26524.0000	5	28370.0001	9		
20203.0100	1	26527.1003	21	28435.0000	5		
20630.0008	21	26528.0000	5	28436.0002	5		
20762.0000	21	26536.0002	21	28526.1000	15		
20960.0000	11	26537.0000	9	28526.1001	15,17,19		