
BUNN[®]

IMIX[®]-5S



ILLUSTRATED PARTS CATALOG

Designs, materials, weights, specifications, and dimensions for equipment or replacement parts are subject to change without notice.

BUNN-O-MATIC CORPORATION

POST OFFICE BOX 3227

SPRINGFIELD, ILLINOIS 62708-3227

PHONE: (217) 529-6601 FAX: (217) 529-6644



BUNN-O-MATIC COMMERCIAL PRODUCT WARRANTY

Bunn-O-Matic Corp. ("BUNN") warrants equipment manufactured by it as follows:

- 1) Airpots, thermal carafes, decanters, GPR servers, iced tea/coffee dispensers, MCP/MCA pod brewers thermal servers and Thermofresh servers (mechanical and digital)- 1 year parts and 1 year labor.
- 2) All other equipment - 2 years parts and 1 year labor plus added warranties as specified below:
 - a) Electronic circuit and/or control boards - parts and labor for 3 years.
 - b) Compressors on refrigeration equipment - 5 years parts and 1 year labor.
 - c) Grinding burrs on coffee grinding equipment to grind coffee to meet original factory screen sieve analysis - parts and labor for 4 years or 40,000 pounds of coffee, whichever comes first.

These warranty periods run from the date of installation BUNN warrants that the equipment manufactured by it will be commercially free of defects in material and workmanship existing at the time of manufacture and appearing within the applicable warranty period. This warranty does not apply to any equipment, component or part that was not manufactured by BUNN or that, in BUNN's judgment, has been affected by misuse, neglect, alteration, improper installation or operation, improper maintenance or repair, non periodic cleaning and descaling, equipment failures related to poor water quality, damage or casualty. In addition, the warranty does not apply to replacement of items subject to normal use including but not limited to user replaceable parts such as seals and gaskets. This warranty is conditioned on the Buyer 1) giving BUNN prompt notice of any claim to be made under this warranty by telephone at (217) 529-6601 or by writing to Post Office Box 3227, Springfield, Illinois 62708-3227; 2) if requested by BUNN, shipping the defective equipment prepaid to an authorized BUNN service location; and 3) receiving prior authorization from BUNN that the defective equipment is under warranty.

THE FOREGOING WARRANTY IS EXCLUSIVE AND IS IN LIEU OF ANY OTHER WARRANTY, WRITTEN OR ORAL, EXPRESS OR IMPLIED, INCLUDING, BUT NOT LIMITED TO, ANY IMPLIED WARRANTY OF EITHER MERCHANTABILITY OR FITNESS FOR A PARTICULAR PURPOSE. The agents, dealers or employees of BUNN are not authorized to make modifications to this warranty or to make additional warranties that are binding on BUNN. Accordingly, statements by such individuals, whether oral or written, do not constitute warranties and should not be relied upon.

If BUNN determines in its sole discretion that the equipment does not conform to the warranty, BUNN, at its exclusive option while the equipment is under warranty, shall either 1) provide at no charge replacement parts and/or labor (during the applicable parts and labor warranty periods specified above) to repair the defective components, provided that this repair is done by a BUNN Authorized Service Representative; or 2) shall replace the equipment or refund the purchase price for the equipment.

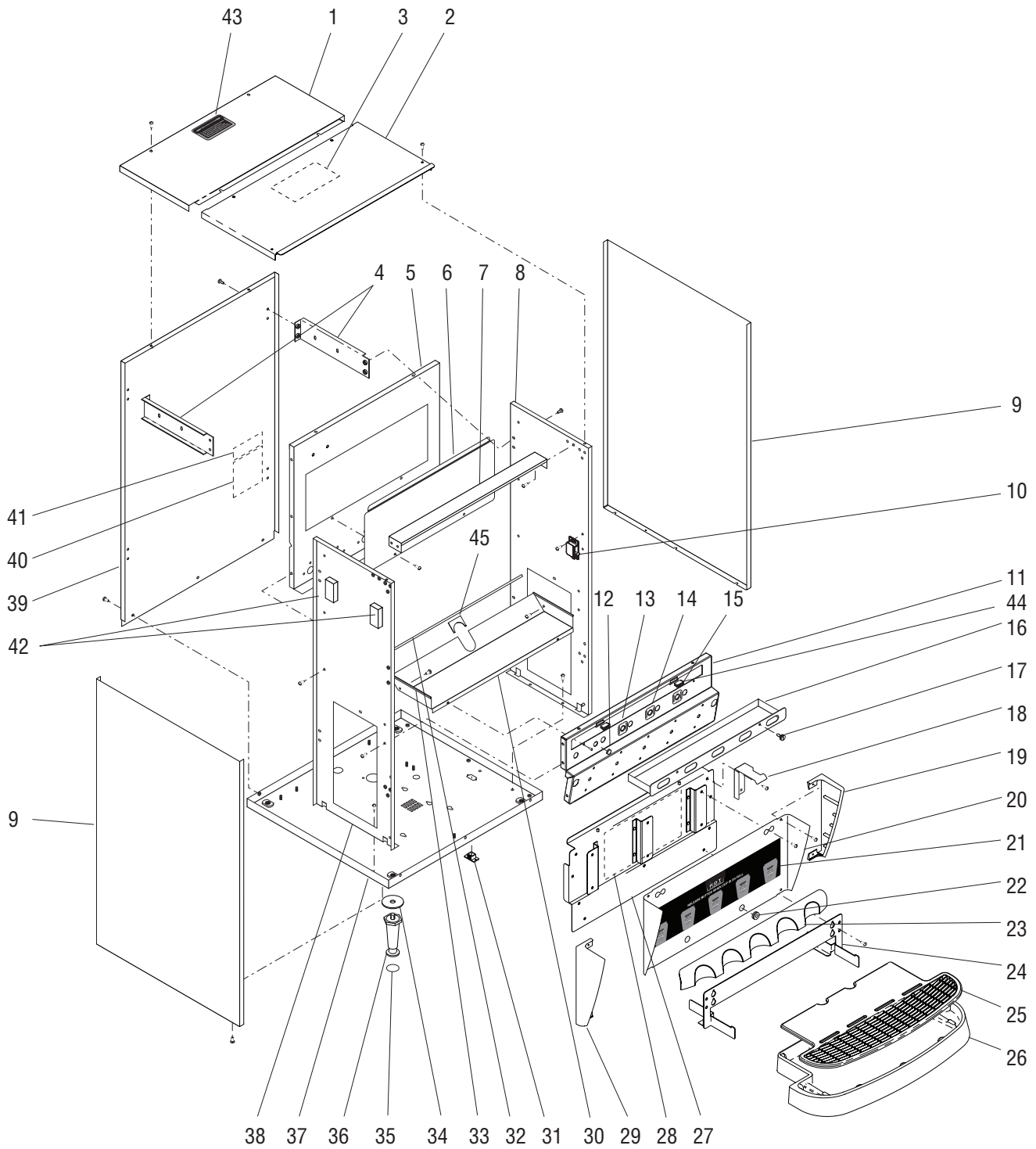
THE BUYER'S REMEDY AGAINST BUNN FOR THE BREACH OF ANY OBLIGATION ARISING OUT OF THE SALE OF THIS EQUIPMENT, WHETHER DERIVED FROM WARRANTY OR OTHERWISE, SHALL BE LIMITED, AT BUNN'S SOLE OPTION AS SPECIFIED HEREIN, TO REPAIR, REPLACEMENT OR REFUND.

In no event shall BUNN be liable for any other damage or loss, including, but not limited to, lost profits, lost sales, loss of use of equipment, claims of Buyer's customers, cost of capital, cost of down time, cost of substitute equipment, facilities or services, or any other special, incidental or consequential damages.

392, A Partner You Can Count On, AutoPOD, AXIOM, BrewLOGIC, BrewMETER, Brew Better Not Bitter, BrewWISE, BrewWIZARD, BUNN Espresso, BUNN Family Gourmet, BUNN Gourmet, BUNN Pour-O-Matic, BUNN, BUNN with the stylized red line, BUNNlink, Bunn-OMatic, Bunn-O-Matic, BUNNserve, BUNNSERVE with the stylized wrench design, Cool Froth, DBC, Dr. Brew stylized Dr. design, Dual, Easy Pour, EasyClear, EasyGard, FlavorGard, Gourmet Ice, Gourmet Juice, High Intensity, iMIX, Infusion Series, Intellisteam, My Café, Phase Brew, PowerLogic, Quality Beverage Equipment Worldwide, Respect Earth, Respect Earth with the stylized leaf and coffee cherry design, Safety-Fresh, savemycoffee.com, Scale-Pro, Silver Series, Single, Smart Funnel, Smart Hopper, SmartWAVE, Soft Heat, SplashGard, The Mark of Quality in Beverage Equipment Worldwide, ThermoFresh, Titan, trifacta, Velocity Brew, Air Brew, Air Infusion, Beverage Bar Creator, Beverage Profit Calculator, Brew better, not bitter., BUNNSource, Coffee At Its Best, Cyclonic Heating System, Daypart, Digital Brewer Control, Element, Nothing Brews Like a BUNN, Pouring Profits, Signature Series, Tea At Its Best, The Horizontal Red Line, Ultra are either trademarks or registered trademarks of Bunn-O-Matic Corporation. The commercial trifacta® brewer housing configuration is a trademark of Bunn-O-Matic Corporation.

TABLE OF CONTENTS

TITLE	PAGE NO.
Auger Drive and Hopper Assembly	16
Covers, Panels and Drip Tray	4
Dispense Valves and Lines.....	24
Door, Lamp, Dispense Switches and Panels (Left and Right Hinged Doors).....	8
Door, Lamp, Dispense Switches and Panels (Top Hinged Doors)	12
Electrical Controls	26
Mixing/Whipper Chambers and Drive Motor	18
Numerical Index.....	30
Tank, Heater and Overflow Protection	20



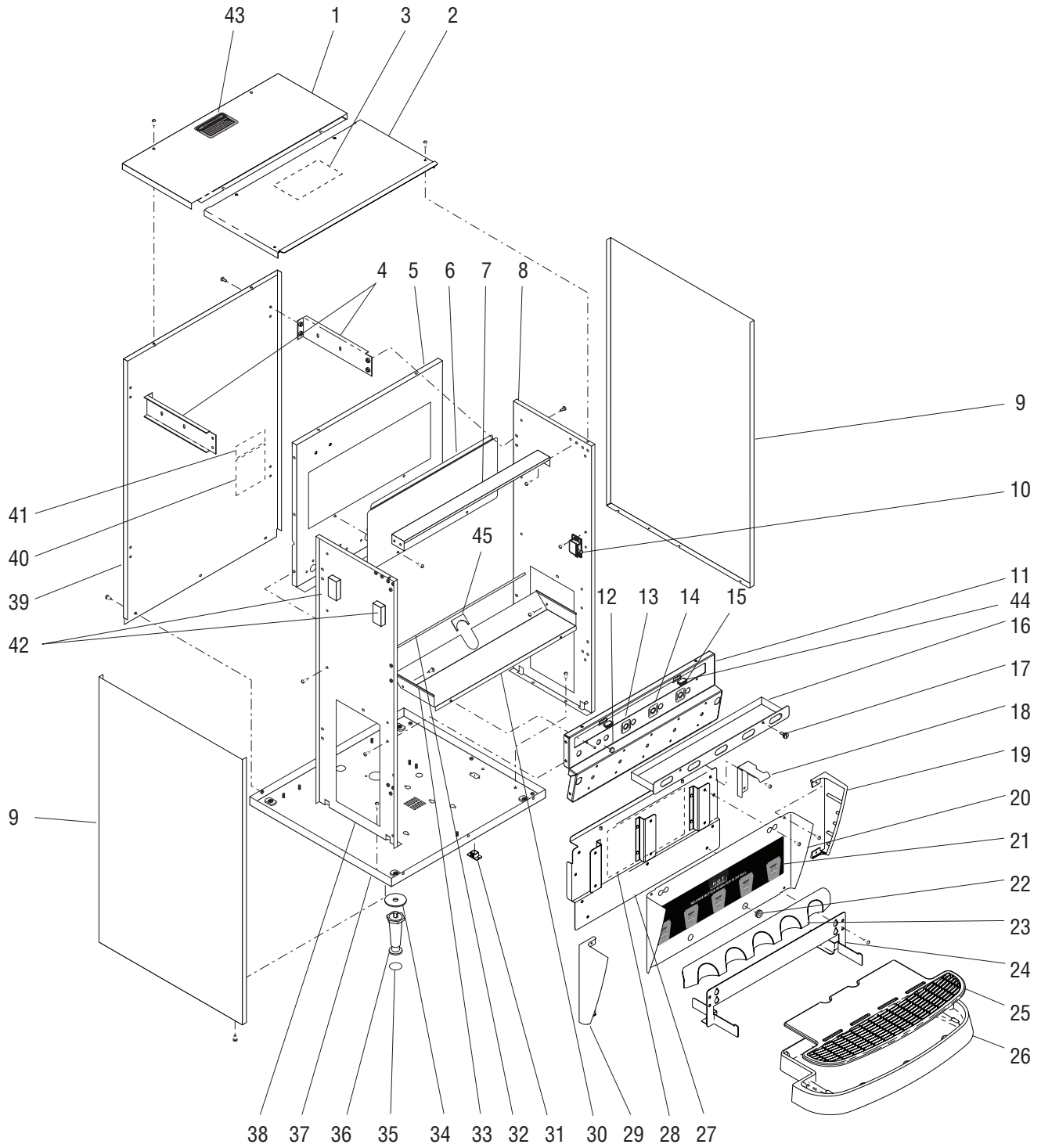
COVERS, PANELS AND DRIP TRAY

ITEM	PART NO.	QTY.	DESCRIPTION
1	35916.1001	1	Cover, Top Rear - BLK (Includes item 43)
	01311.0003	2	Screw, Truss Head BLK #8-32 x .25"
2	35915.1001	1	Cover, Top Front - BLK
	01311.0003	2	Screw, Truss Head BLK #8-32 x .25"
	01382.0002	2	Screw, Truss Head BLK #6-32 x .375"
3	28368.0000	1	Decal, Thermostat Adjustment
4	35926.0000	4	Bracket, Side Support
	01311.0001	8	Screw, Truss Head - Locking #8-32 x .25"
5	35927.0002	1	Panel, Inner Rear
	01311.0001	6	Screw, Truss Head - Locking #8-32 x .25"
6	36232.0000	1	Panel, Inner Access
	01311.0000	2	Screw, Truss Head #8-32 x .25"
7	36648.0000	1	Strap, Top Support
	01311.0001	4	Screw, Truss Head - Locking #8-32 x .25"
8	36230.0001	1	Panel, Inner Right
	01311.0001	2	Screw, Truss Head - Locking #8-32 x .25"
9	35912.0001	2	Panel, Side
	01311.0003	6	Screw, Truss Head BLK #8-32 x .25"
10	34666.0000	1	Catch, Door Latch
	02336.0000	2	Screw, Truss Head #4-40 x .375"
	01509.0001	2	Lockwasher, Int.-tooth #4
11	35929.0002	1	Panel, Whipper Motor (Early models w/ screws)
	35929.0006	1	Panel, Whipper Motor (Late models w/ magnets)
	01311.0001	6	Screw, Truss Head - Locking #8-32 x .25"
12	00619.0010	1	Plug, Hole .438" Nkl. Pltd.
13	28872.0000	1	Decal, Increase/Decrease Switch
14	26523.0000	1	Decal, Rinse/Run Switch
15	26524.0000	1	Decal, Tank Heater Switch
16	36235.0000*	1	Tray, Powder Box (Early models w/ screws)
	36235.0002	1	Tray, Powder Box (Late models w/ magnets)
17	37988.0000	2	Screw, Captive #10-32 x .50" (Early models)
	34998.0000	2	E-Ring, Retaining .127" OD
18	36644.0000	1	Bracket, Door Locking (Right side)
	36644.0001	1	Bracket, Door Locking (Left side)
	01311.0001	2	Screw, Truss Head - Locking #8-32 x .25"
19	36743.0001	1	Cap, Splash Panel Right
	44224.0000	2	Screw, Pan Head Plastite #6 x .375"
20	37180.1000	1	Panel W/Decal, Splash (Includes items 19, 21, 22, 23, & 29)
	01311.0001	2	Screw, Truss Head - Locking #8-32 x .25"
21	28328.0010	1	Decal, Caution-Hot Liquid & Cup Placement
22	02536.0000	2	Grommet, Silicone .375" ID

(Continued)

* Indicates the part number listed is for reference only. See DESCRIPTION for possible service replacement.

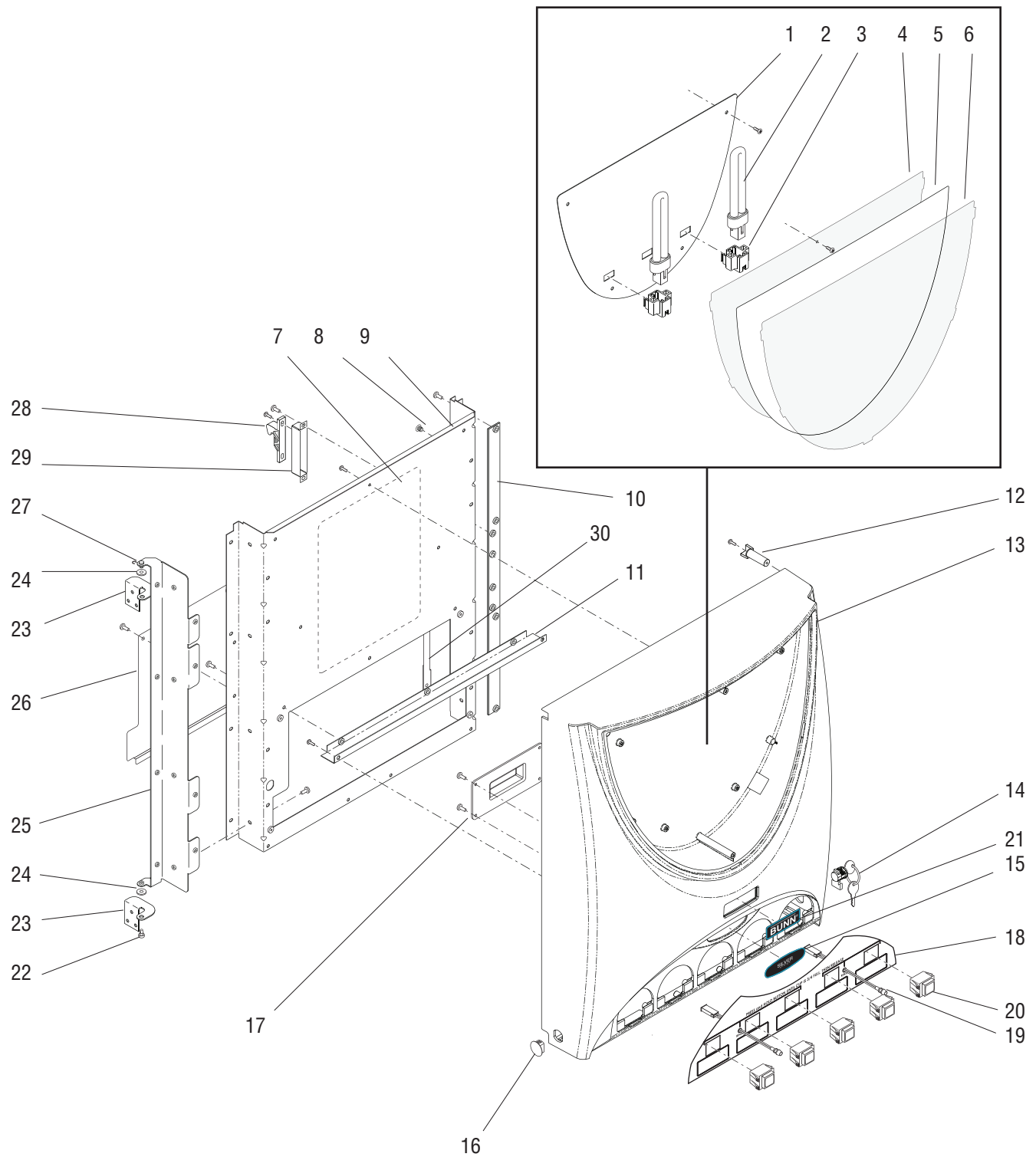
(Continued)



COVERS, PANELS AND DRIP TRAY

ITEM	PART NO.	QTY.	DESCRIPTION
23	36742.0000	1	Guide, Cup
24	37065.0000	1	Bracket, Drip Tray
	01311.0001	2	Screw, Truss Head - Locking #8-32 x .25"
25	36739.0000	1	Cover, Drip Tray
26	36670.0000	1	Drip Tray
27	36224.1002	1	Panel, Lower Access (Includes item 28)(Models with right hinged doors)
	36224.1003	1	Panel, Lower Access (Includes item 28)(Models with left hinged doors)
	01311.0000	3	Screw, Truss Head #8-32 x .25"
28	38524.0000	1	Schematic
29	36743.0000	1	Cap, Splash Panel Left
	38044.0000	2	Screw, Pan Head Plastite #6 x .375"
30	36240.0001	1	Shelf, Powder Box
	01311.0001	2	Screw, Truss Head - Locking #8-32 x .25"
	02336.0000	2	Screw, Truss Head #4-40 x .375"
31	36398.0000	1	Plug, Hole DB-9 (Early Models)
32	02434.0018*	1	Gasket, U-Channel 17.5" (Order item 47)
33	02434.0008*	2	Gasket, U-Channel 4.60" (Order item 47)
34	01526.0001	4	Washer, Flat .438" ID x 1.88" OD
35	03996.0000	4	Pad, Rubber 1.25" Dia. (Also see item 46)
36	26528.0000	4	Leg, 4.0" Adjustable (Also see item 46)
37	35924.0000	1	Panel, Bottom
38	36229.0001	1	Panel, Inner Left
	01311.0001	2	Screw, Truss Head - Locking #8-32 x .25"
39	35925.1001	1	Panel Assembly, Rear (Includes items 40 and 41)
	01311.0003	11	Screw, Truss Head BLK #8-32 x .25"
40	00831.0000	1	Decal, Warning-Electrical
41	00656.0001	1	Decal, Comply to Plumbing Code
42	36896.0000	4	Pad, Styro 1.0" x 2.0" x .5"
43	37881.0000	1	Decal, No Serviceable Parts
44	21436.0000	2	Magnetic Catch (Late models)
45	38345.0000	1	Filler Plate
46	13255.0003	-	Kit, Leg 4.0" Adjustable (Includes 4 each of items 35 and 36)
47	02434.1000	-	Gasket, U-Channel - 18" LG
	02434.1001	-	Gasket, U-Channel - 36" LG

* Indicates the part number listed is for reference only. See DESCRIPTION for possible service replacement.



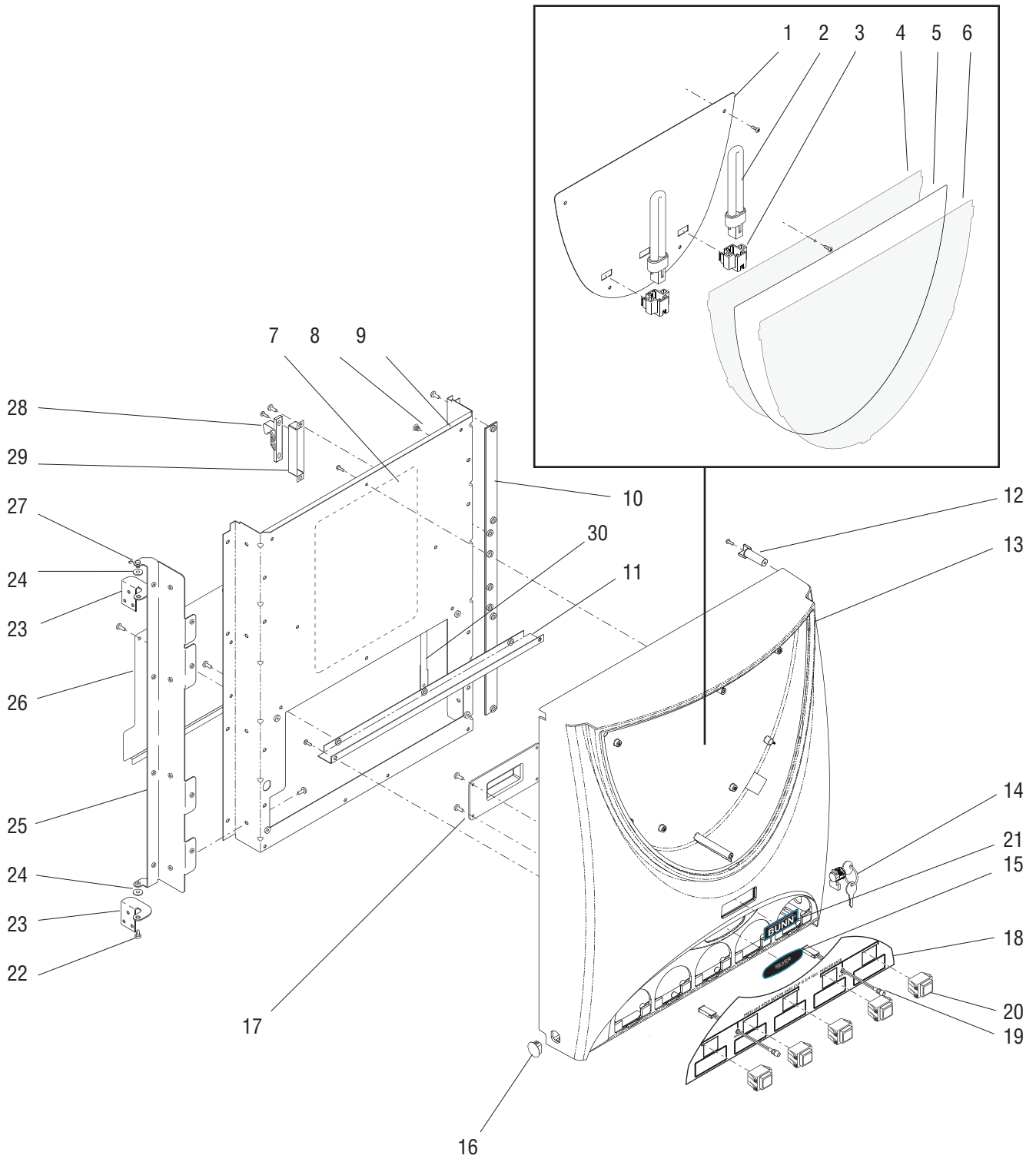
**DOOR, LAMP, DISPENSE SWITCHES AND PANELS
(LEFT & RIGHT HINGED DOORS)**

ITEM	PART NO.	QTY.	DESCRIPTION
-	38452.1000	1	Door Assy (Includes items 1-4,6,8-21,23-30 & 33)
1	36656.0001	1	Panel, Lamp
	01360.0002	4	Screw, Pan Head Plascrew #6 - 32 x .375"
2	32806.0000	2	Lamp, Fluorescent - 7 Watts
3	32807.0001	2	Lamp Holder, Fluorescent
4	36650.0000	1	Lens, Fixed
	02336.0000	2	Screw, Truss Head #4-40 x .375"
5	36768.0000	1	Display, Graphics
	36768.0005	1	Display, Iced Coffee Graphics
6	36662.0000	1	Lens, Removable
7	37254.0000	1	Decal, Cleaning
8	36149.0000	8	Fastener, Snap-in .197" Hole
9	36667.1000	1	Panel, Door - Upper (Includes item 7)(Right Hinged Doors)
	36667.1002	1	Panel, Door - Upper (Includes item 7)(Left Hinged Doors)
	01360.0002	10	Screw, Pan Head Plascrew #6 - 32 x .375"
	01311.0001	19	Screw, Truss Head Locking #8-32 x .25"
10	36658.0000	1	Flange, Door
11	36734.0000*	1	Bracket, Inner Panel
	01360.0002	2	Screw, Pan Head Plascrew #6 - 32 x .375"
12	36244.0000	1	Plug, Door Hinge
	01360.0002	1	Screw, Pan Head Plascrew #6 - 32 x .375"
13	37096.0000	1	Door
14	32863.1000	1	Keylock W/Keys, Door
	28095.0000	1	Key Set
15	38451.0000	1	Decal, Silver Series
16	00669.0004	1	Plug, .75" x .625" hole
17	37013.0000	1	Cover, LCD Door Lens (Early Models)
	42687.0000	1	Cover, LCD Door Lens (Late Models)
	44224.0000	4	Screw
18	38840.0000	1	Switch Plate Assy.
19	12517.0001	2	Lamp L.E.D.
20	28296.0002	5	Switch, Dispense
21	38499.0000	1	Decal, BUNN
22	24457.0002	1	Screw, .25" Shoulder #8-32
23	36647.0000	2	Bracket, Hinge (Right side Hinge)
	36647.0001	2	Bracket, Hinge (Left side Hinge)
	01311.0001	6	Screw, Truss Head #8-32 x .25" Locking

(Continued)

* Indicates the part number listed is for reference only. See DESCRIPTION for possible service replacement.

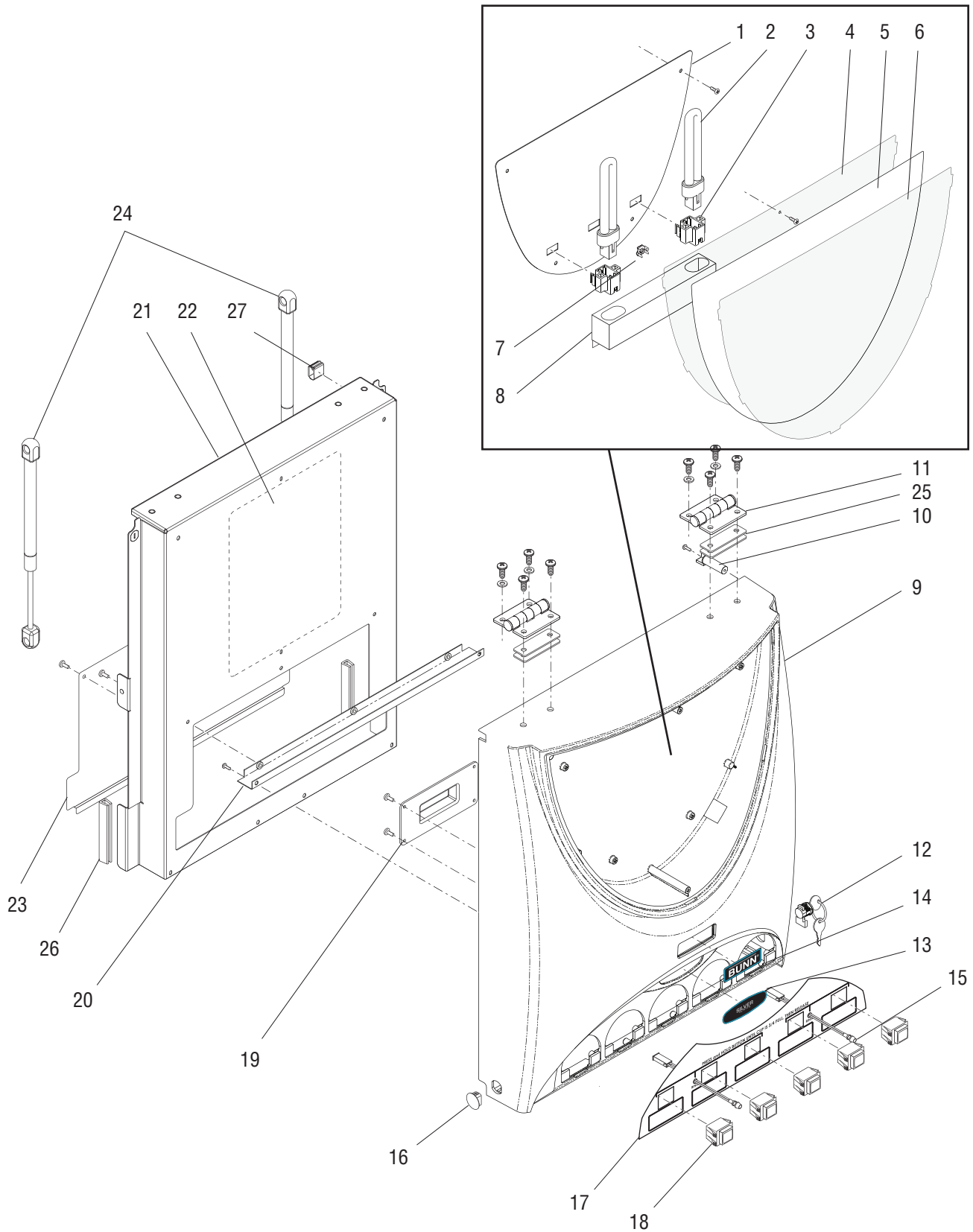
(Continued)



**DOOR, LAMP, DISPENSE SWITCHES AND PANELS
(LEFT & RIGHT HINGED DOORS)**

ITEM	PART NO.	QTY.	DESCRIPTION
24	34362.0000	2	Bushing, Hinge
25	36661.0002	1	Flange, Door Hinge (Left side Hinge)
	36661.0000	1	Flange, Door Hinge (Right side Hinge)
26	36659.0000	1	Panel, Door - Lower (Early Models)
	36659.0002	1	Panel, Door - Lower (Late Models)
	01311.0000	4	Screw, Truss Head #8-32 x .25"
27	01403.0000	1	E-Ring, External .188" Shaft
28	34667.0000	1	Keeper, Door Latch
	02336.0000	2	Screw, Truss Head #4-40 x .375"
29	36669.0000	1	Bracket, Keeper Mounting
	01311.0001	2	Screw, Truss Head #8-32 x .25" Locking
30	40031.1000	1	Baffle Kit, Left Hand Hinge
	40031.1001	1	Baffle Kit, Right Hand Hinge
NOTE: The following items are not illustrated			
31	01666.0000	1	Bushing, Strain Relief
32	34985.0001	1	Wiring Harness, Door Interconnect 120V (Includes item 31)
33	36887.0001	1	Wiring Harness, Backlight
34	26537.0000	1	Decal, Flavors (Almond Amaretto, Cappuccino, French Vanilla, Hazelnut, Hot Chocolate and Raspberry Mocha)
	26537.0001	1	Decal, Flavors (Swiss Mocha, Mocha, Raspberry Vanilla, Irish Creme, Coffee and Original)
	26537.0003	1	Decal, Flavors (White Chocolate, Cinnamon Vanilla Nut, Decaf, Regular, French Vanilla and Hot Chocolate)
	26537.0039	1	Decal, Iced Coffee Flavors (Espresso Latte, Mocha Latte, Colombian, Dark Roast, Raspberry Coffee, Hazelnut Coffee, French Vanilla Latte, Caramel Latte, Chai Tea Latte, Horchatta)

* Indicates the part number listed is for reference only. See DESCRIPTION for possible service replacement.



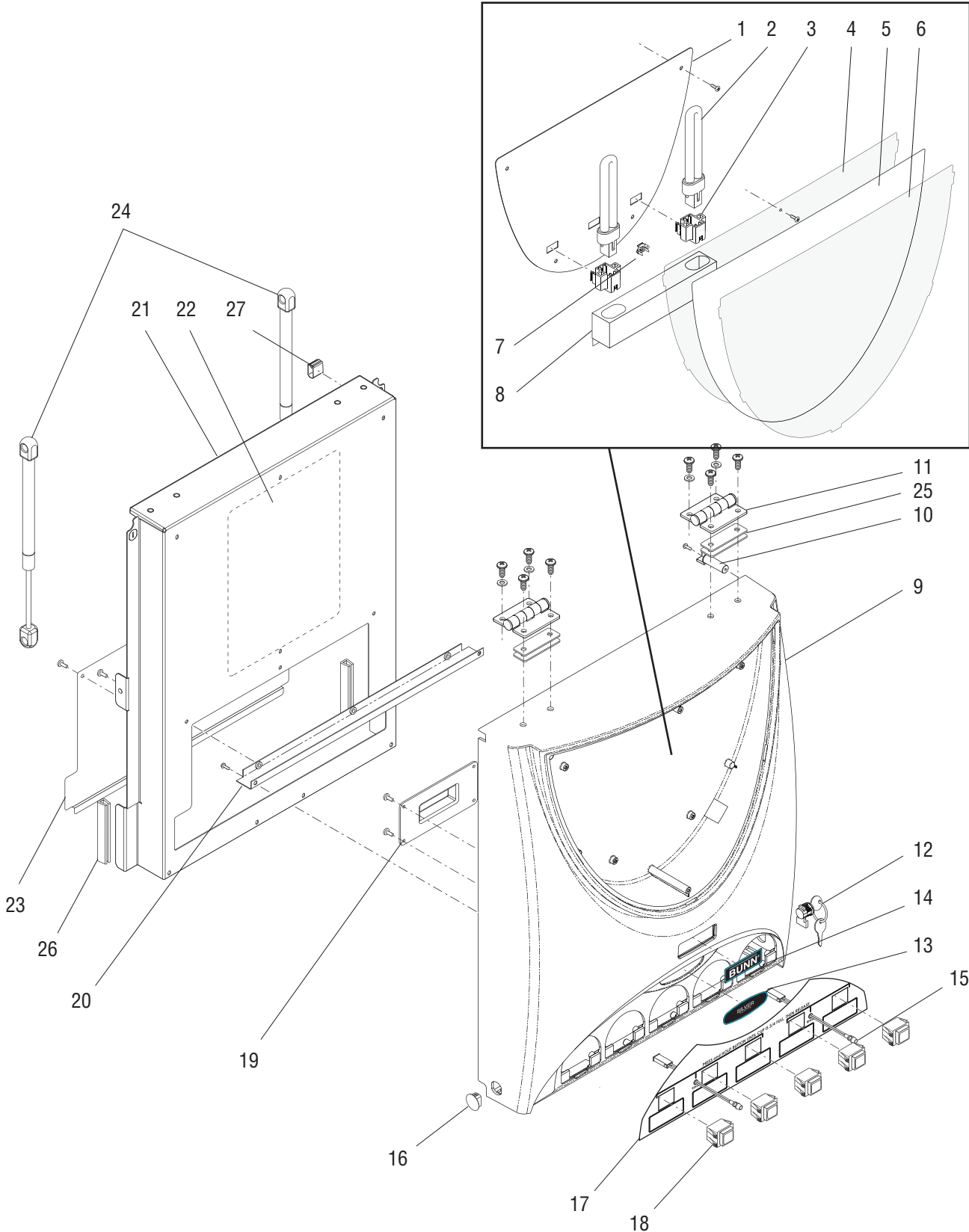
DOOR, LAMP, DISPENSE SWITCHES AND PANELS
(TOP HINGED DOORS)

ITEM	PART NO.	QTY.	DESCRIPTION
1	36656.0003	1	Panel, Lamp
	44224.0000	4	Screw, Pan Head Plastite #6 x .375"
2	32806.0000	2	Lamp, Fluorescent - 7 Watts
3	32807.0001	2	Lamp Holder, Fluorescent
4	36650.0000	1	Lens, Fixed
	02336.0000	2	Screw, Truss Head #4-40 x .375"
5	36768.0000	1	Display, Graphics
	36768.0005	1	Display, Iced Coffee Graphics
6	36662.0000	1	Lens, Removable
7	28335.0000	1	Clip, Ground
8	40032.0002	1	Bracket
9	37096.0003	1	Door
10	36244.0000	2	Plug, Door Hinge
	44224.0000	2	Screw, Pan Head Plastite #6 x .375"
11	43514.0001	2	Hinge
	41923.0000	8	Screw, Pan Head BLK .25-20 x
	41921.0000	8	Washer
12	32863.1000	1	Keylock W/Keys, Door
	28095.0000	1	Key Set
13	38451.0000	1	Decal, Silver Series
14	38499.0000	1	Decal, BUNN
15	12517.0001	1	Lamp, LED
16	00669.0004	1	Plug .75" x .625" hole
17	38431.0001	1	Plate Assy, Switch
18	28296.0002	5	Switch, Dispense
19	37013.0000	1	Cover, LCD Door Lens (Early Models)
	42687.0000	1	Cover, LCD Door Lens (Late Models)
	44224.0000	4	Screw
20	36734.0000	1	Bracket, Inner Panel
	44224.0000	2	Screw, Pan Head Plastite #6 x .375"
21	41564.0001	1	Panel, Door - Upper (Includes item 7)
	44224.0000	8	Screw, Pan Head Plastite #6 x .375"
22	37254.0000	1	Decal, Cleaning
23	36659.0002	1	Panel, Door - Lower
	01311.0000	2	Screw, Truss Head #8-32 x .25"
	01311.0001	1	Screw, Truss Head #8-32 x .25" Locking

(Continued)

* Indicates the part number listed is for reference only. See DESCRIPTION for possible service replacement.

(Continued)

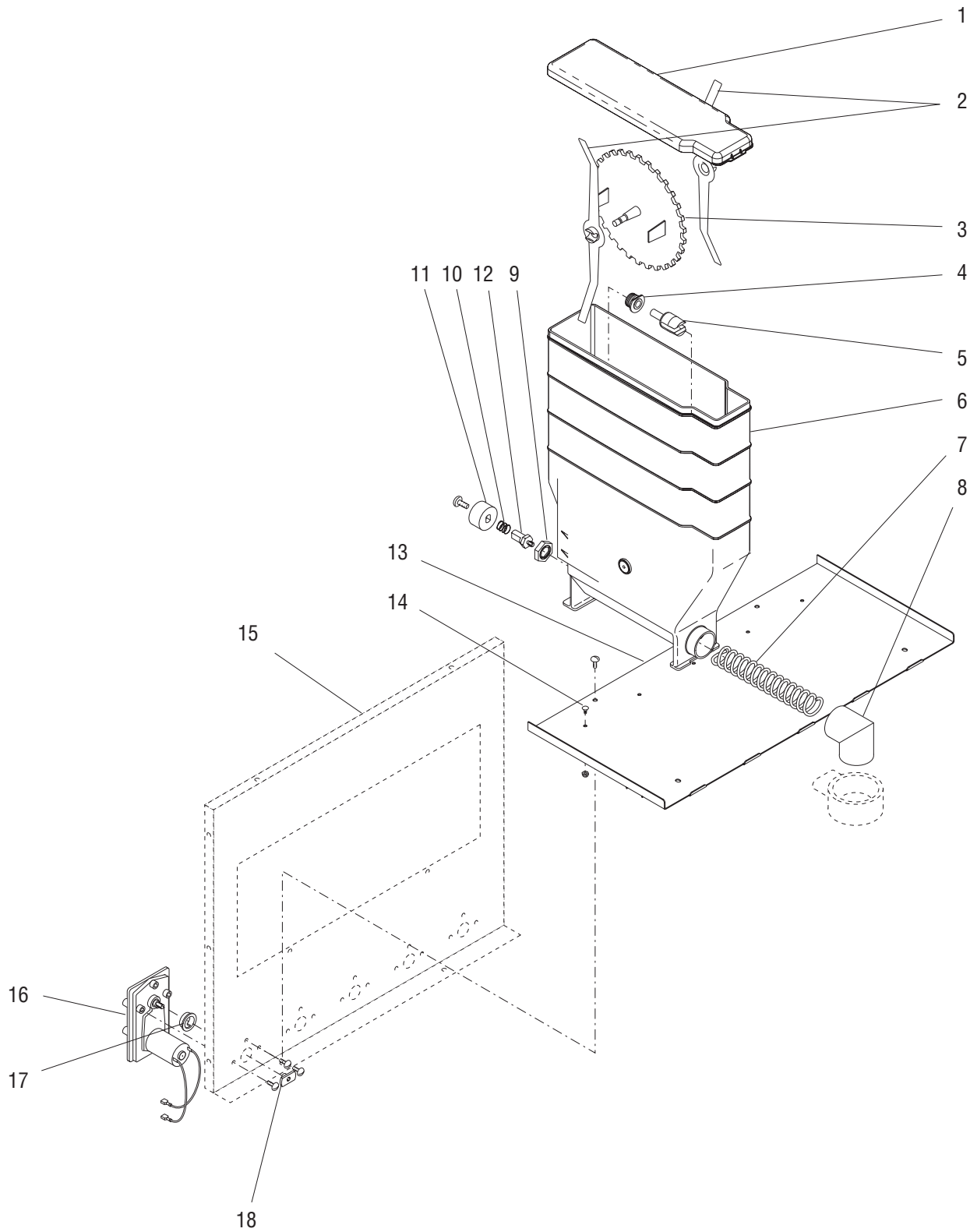


P4217.45

DOOR, LAMP, DISPENSE SWITCHES AND PANELS
(TOP HINGED DOORS)

ITEM	PART NO.	QTY.	DESCRIPTION
24	42487.0000	2	Gas Spring
25	44095.0000	4	Shim
26	02434.0005*	2	Gasket, U-channel 3.5" (order item 33)
27	35260.0000	2	Cable Mount
NOTE: The following items are not illustrated			
28	00707.0001	2	Bushing, Strain Relief
29	34985.0002	1	Wiring Harness, Door Interconnect
30	36887.0003	1	Wiring Harness, Backlight
31	26537.0000	1	Decal, Flavors (Almond Amaretto, Cappuccino, French Vanilla, Hazelnut, Hot Chocolate and Raspberry Mocha)
	26537.0001	1	Decal, Flavors (Swiss Mocha, Mocha, Raspberry Vanilla, Irish Creme, Coffee and Original)
	26537.0003	1	Decal, Flavors (White Chocolate, Cinnamon Vanilla Nut, Decaf, Regular, French Vanilla and Hot Chocolate)
	26537.0039	1	Decal, Iced Coffee Flavors (Espresso Latte, Mocha Latte, Colombian, Dark Roast, Raspberry Coffee, Hazelnut Coffee, French Vanilla Latte, Caramel Latte, Chai Tea Latte, Horchatta)
32	42596.0001	1	Cable Wrap, Door Interconnect Harness
33	02434.1000	-	Gasket, U-Channel - 18" LG
	02434.1001	-	Gasket, U-Channel - 36" LG

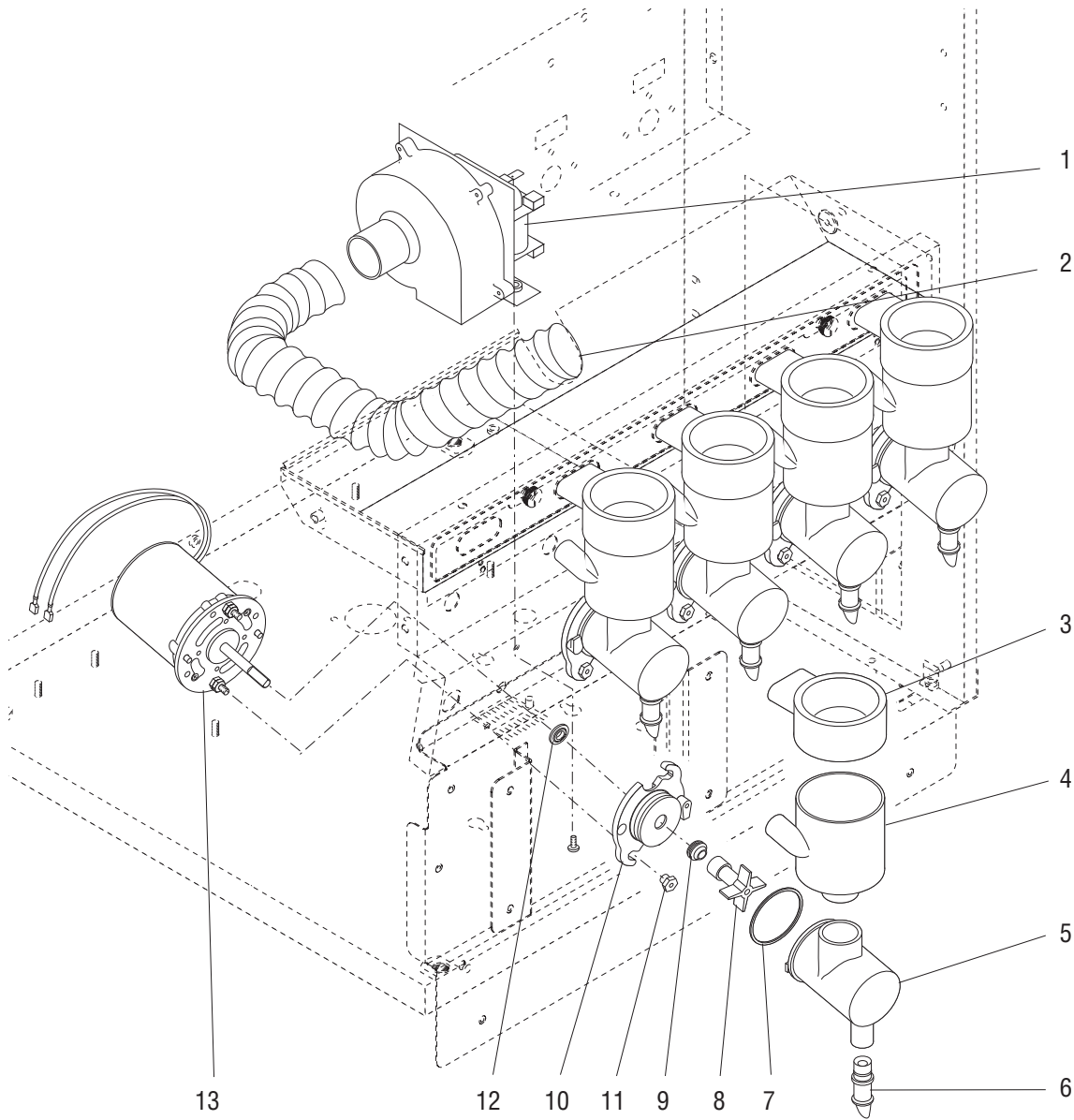
* Indicates the part number listed is for reference only. See DESCRIPTION for possible service replacement.



AUGER DRIVE AND HOPPER ASSEMBLY

ITEM	PART NO.	QTY.	DESCRIPTION
-	37010.1001	-	Hopper Assy (Includes one each of items 1-12)
1	36653.0001	5	Lid, Hopper
2	32337.0000	10	Mixing Blade
3	32386.0001	5	Disk, Agitator (30 Tooth)
4	28067.0000	5	Bushing, Auger Drive Shaft
5	26940.0002	5	Shaft, Auger Drive
6	37011.0001	5	Hopper
7	39442.0000	5	Auger, Wire (use w/30-tooth Disk)
8	25903.0000	5	Elbow, Ejector
9	25743.0000	5	Locknut
10	36774.0000	5	Spring, Hopper Coupling
11	36770.0000	5	Coupling, Auger Drive
	01326.0002	5	Screw, Truss Head #10-32 x .25"
12	37539.1000	5	Shaft Kit, Auger Drive (Includes 01326.0002 Screw)
13	36766.0000	1	Panel, Hopper Support
	01311.0000	4	Screw, Truss Head #8-32 x .25"
14	20960.0000	5	Screw, Shoulder #6-32 x .375"
	00991.0002	5	Nut, Elastic Lock #6-32
15	-----	-	See COVERS, PANELS & DRIP TRAYS
16	37037.0001	5	Gearmotor Assy, Auger (Each includes items 17 and 18)
	01311.0000	15	Screw, Truss Head #8-32 x .25"
17	26401.0000	1	Dust Seal, Hopper Motor
18	36773.0000	1	Plate, Auger Drive
19	35260.0000	3	Cable Mount, Adhesive (Not Illustrated)

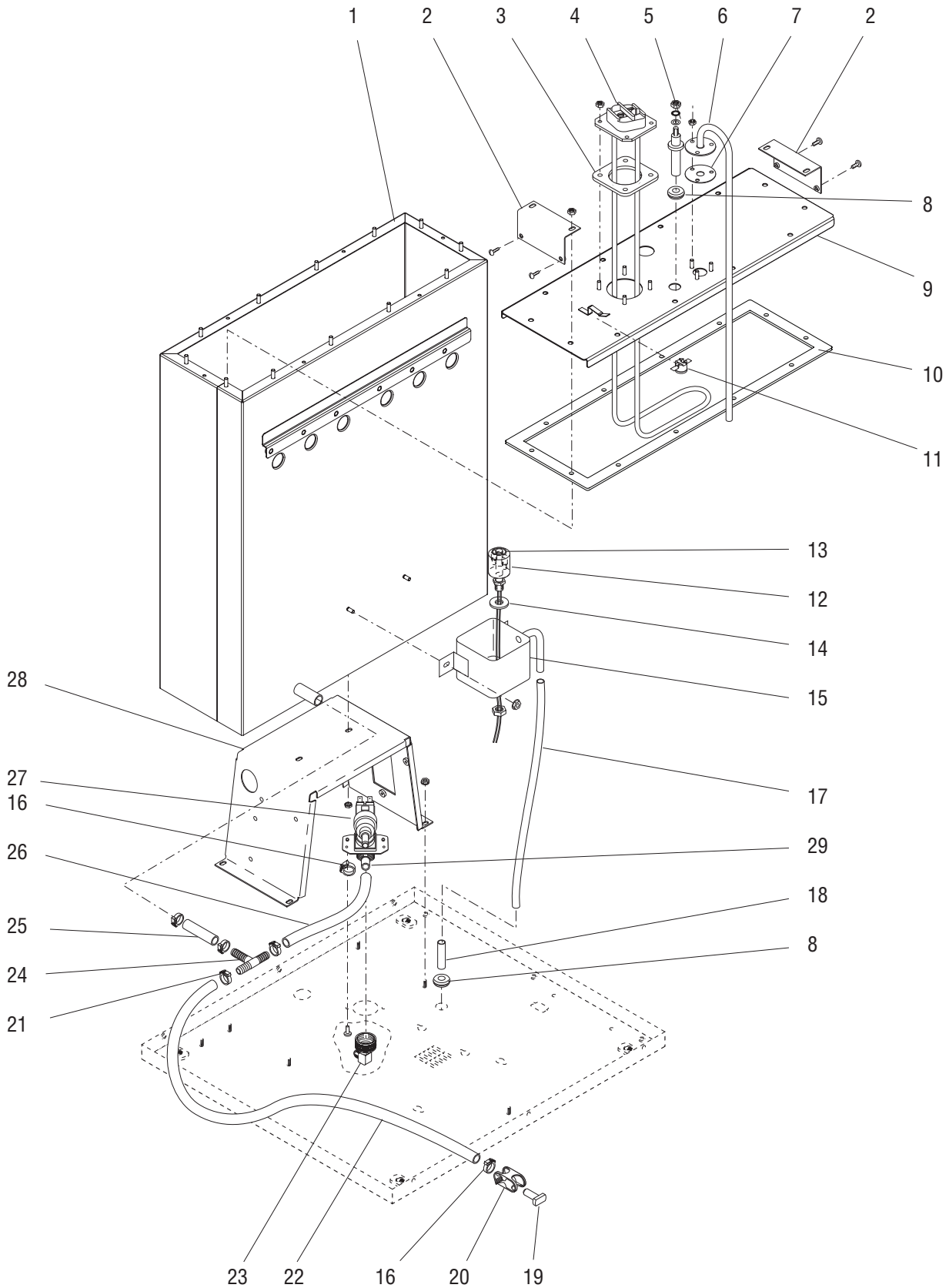
* Indicates the part number listed is for reference only. See DESCRIPTION for possible service replacement.



MIXING/WHIPPER CHAMBERS AND DRIVE MOTOR

ITEM	PART NO.	QTY.	DESCRIPTION
1	28295.0000	1	Fan & Bracket Assembly 120V
	01311.0001	2	Screw, Truss Head - Locking #8-32 x .25"
2	28297.0001	1	Hose, Vacuum
3	25732.0000	5	Steam Collector
4	25733.0003	5	Mixing Chamber
5	25734.1000	5	Whipper Chamber
	25734.0002	5	Whipper Chamber (IMIX -5SC)
6	25736.0000	5	Dispense Tip - Drink (0.34" ID)
	28864.0004	5	Dispense Tip - Soup (0.40" ID)
7	24733.0010	5	O-Ring
8	25902.0000	5	Frother
9	26356.0000	5	Seal, Shaft
	26356.1000	-	Kit, Shaft Seal (Includes 6 Seals)
10	28866.0000	5	Receptacle, Whipper Chamber
11	28865.0000	10	Nut, Whipper Motor/Receptacle Mounting
12	28867.0000	5	Slinger
13	28428.1000	5	Motor, Whipper 120V
14	32906.0001	-	Kit, Preventive Maintenance (Includes items 3 thru 10 and 25903.0000 Elbow)

* Indicates the part number listed is for reference only. See DESCRIPTION for possible service replacement.



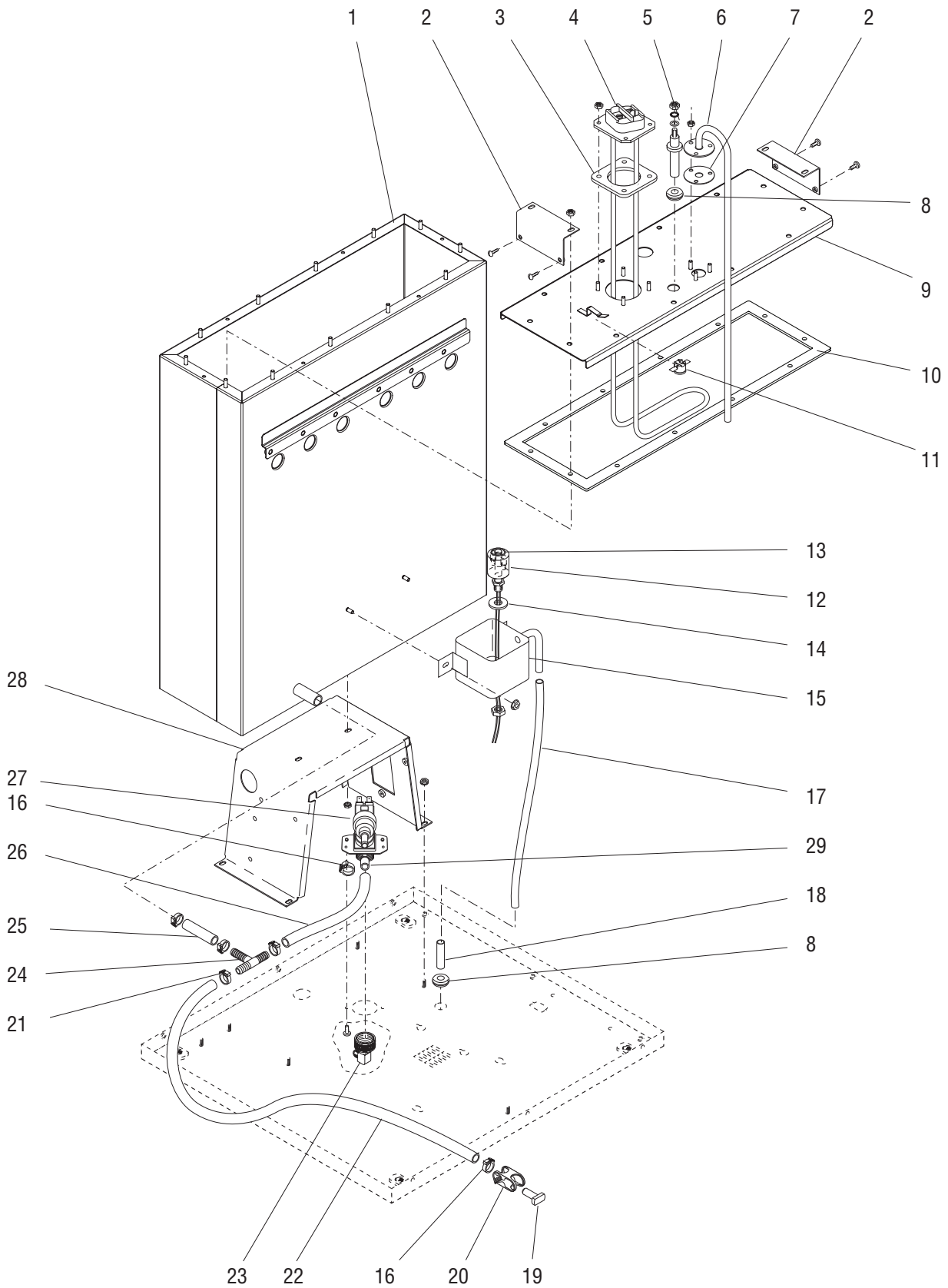
TANK, HEATER AND OVERFLOW PROTECTION

ITEM	PART NO.	QTY.	DESCRIPTION
1	39133.0000	1	Tank (With copper overflow cup)
	39133.1001	1	Tank (With aluminum overflow cup)
	00970.0000	2	Nut, Keps #8-32
2	36226.0000	2	Bracket, Tank Mounting Upper
	00908.0000	4	Nut #8-32
	01311.0001	4	Screw, Truss Head - Locking #8-32 x .25"
3	12398.0000	1	Gasket, Tank Heater
4	36741.1000	1	Tank Heater Kit, 1700W 120V (Includes item 3)
	36741.1001	1	Tank Heater Kit, 1320W 120V (IMIX-5SC) (Includes item 3)
	00908.0000	4	Nut, Hex #8-32
5	20936.1000	1	Probe Kit (Includes items indented below)
	20203.0100	1	Lockwasher, Internal Tooth #8
	01501.0000	1	Washer, Flat .164" ID x .375" OD
	00908.0000	1	Nut, #8-32
6	36220.0000	1	Tube, Overflow
	00908.0000	3	Nut, Hex #8-32
7	05515.0000	1	Gasket, Overflow Tube
8	02536.0000	2	Grommet, .375" I.D.
9	35940.0003	1	Lid, Tank
	00908.0000	8	Nut, Hex #8-32
10	35937.0000	1	Gasket, Rounded Tank Lid (Early Models)
	35937.0002	1	Gasket, Squared Tank Lid (Late Models)
11	29329.1000	1	Thermostat, Limit
12	03803.0002	1	Switch Assy, Liquid Level (Includes items 13 & 14)
	00946.0000	1	Nut, Hex .125" FPT
13	03807.0000	1	Clip, Spring
14	03633.0000	1	Gasket, Float Switch
15	22728.0000	1	Overflow Cup (Copper)
	00970.0000	2	Nut, Keps #8-32
	41259.1003	1	Overflow Cup (Aluminum)
	41266.0000	1	Film
	41280.0001	1	Elbow
	04797.0000	1	Washer
16	12422.0001	2	Clamp, Hose .59"/.66" ID
17	28526.0028*	1	Tube, Silicone .312" ID x 9.5" (Order item 31)
18	21801.0002	1	Tube .375" O.D. x 1.50" LG
19	34392.0000	1	Plug, Hose .375" ID
20	11630.0001	1	Clamp, Shut Off
21	12422.0005	4	Clamp, Hose .62"/.71" ID

(continued)

* Indicates the part number listed is for reference only. See DESCRIPTION for possible service replacement.

(Continued)

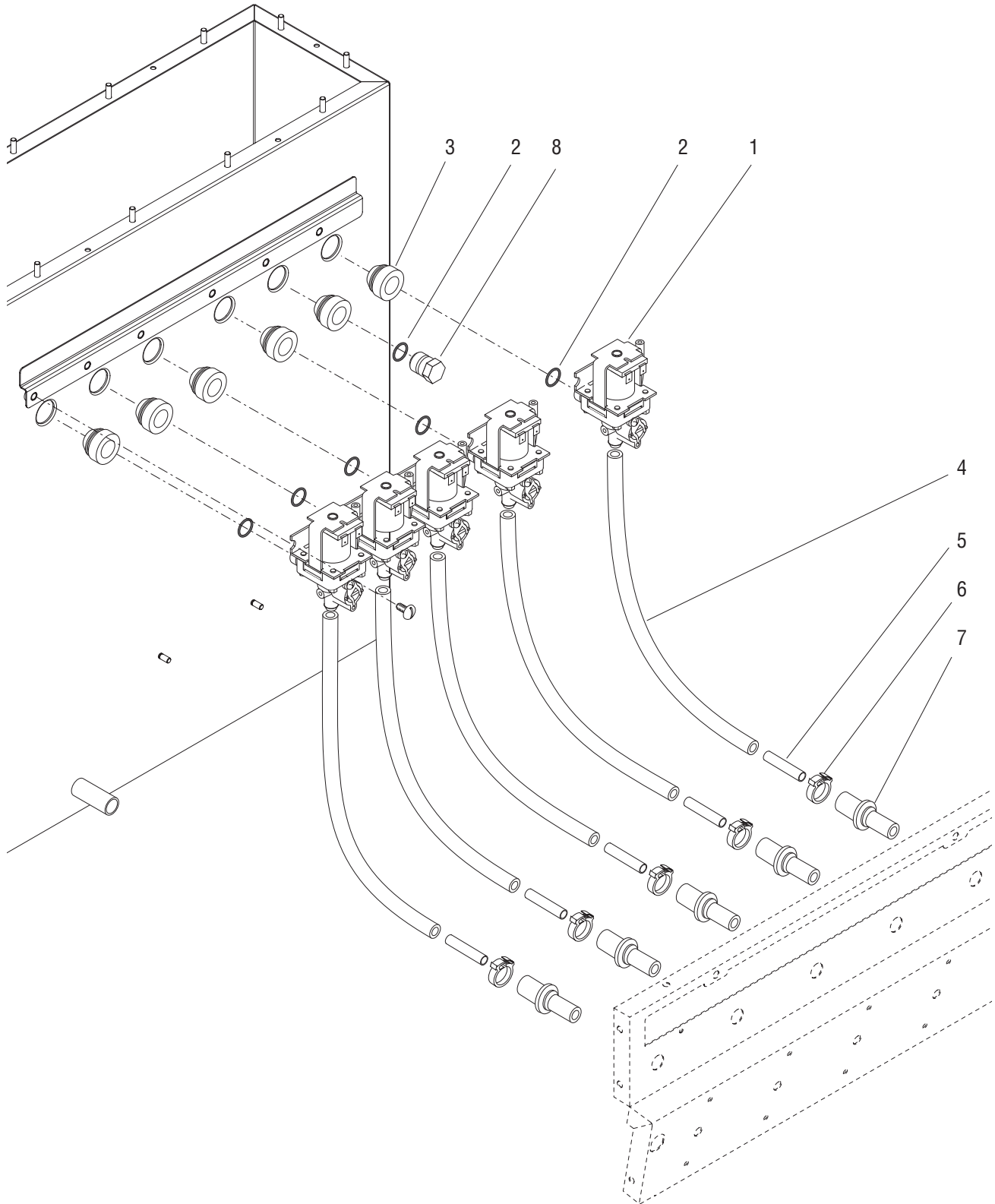


TANK, HEATER AND OVERFLOW PROTECTION

ITEM	PART NO.	QTY.	DESCRIPTION
22	20976.0056*	1	Tube, Silicone .375" ID x 28.0" (Order item 32)
23	37297.0006	1	Elbow, .25" Flare x .75" FTHRD
24	38948.0000	1	Tee, .50" Barb
25	20976.0017*	1	Tube, Silicone .375" ID x 2.0" (Order item 32)
26	20976.0055*	1	Tube, Silicone .375" ID x 9.0" (Order item 32)
27	36233.1000	1	Valve, Water Inlet (See item 35)
	32283.0000	2	Screw, Pan Head M4 x 6MM
28	35942.0000*	1	Bracket, Tank Mounting Lower
	00970.0000	4	Nut, Keps #8-32
29	36378.0001	1	Valve, Check 2.5 psi
30	36222.0000	1	Insulation, Tank
31	28526.1000	-	Tube, Silicone .312" ID x .562" OD x 12"
	28526.1001	-	Tube, Silicone .312" ID x .562" OD x 36"
	28526.1002	-	Tube, Silicone .312" ID x .562" OD x 60"
	28526.1003	-	Tube, Silicone .312" ID x .562" OD x 120"
32	20976.1000	-	Tube, Silicone, .375" ID x .50" OD x 12.0"
	20976.1001	-	Tube, Silicone, .375" ID x .50" OD x 36.0"
	20976.1002	-	Tube, Silicone, .375" ID x .50" OD x 120.0"
33	35946.0002	1	Baffle
34	34572.0000	2	Panel, Baffle Insert
	34765.0000	4	Nut, Flanged #10-32
35	43644.0000	-	Kit, Valve Rebuild

Not Illustrated

* Indicates the part number listed is for reference only. See DESCRIPTION for possible service replacement.

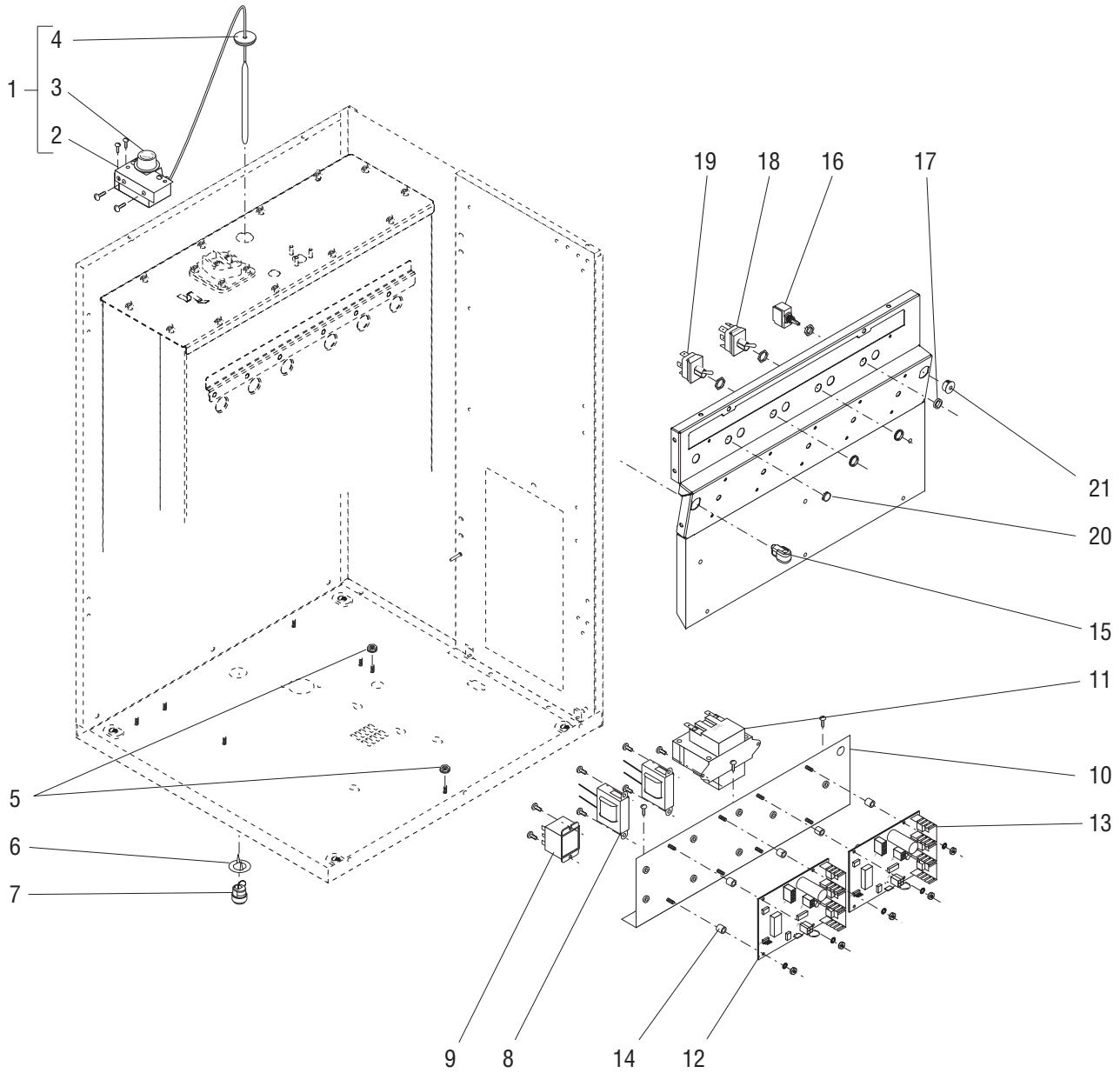


DISPENSE VALVES AND LINES

ITEM	PART NO.	QTY.	DESCRIPTION
1	39285.1001	5	Valve, Liquid Dispense 120V (Includes item 2)
	01326.0000	5	Screw, Truss Head #10-32 x .25"
2	24733.0011	6	O-Ring
3	37970.0000	6	Grommet, Valve Mounting
4	28526.0027*	5	Tube, Silicone .312" ID x 16.5" (Order item 9)
5	21801.0002	5	Tube .375" OD x 1.50"
6	12422.0001	5	Clamp, Hose .59"/.66" ID
7	25803.0000	5	Water Inlet, Mixing Chamber
8	26369.1000	1	Plug Assy. (Includes item 2)
9	28526.1001	-	Tube, Silicone .312" I.D. x .438" O.D. x 36"
	28526.1002	-	Tube, Silicone .312" I.D. x .438" O.D. x 60"
	28526.1003	-	Tube, Silicone .312" I.D. x .438" O.D. x 120"
10	45964.1000	-	Repair Kit, Dispense Valve (Includes Spring, Plunger, and Diaphragm)

} Not
Illustrated

* Indicates the part number listed is for reference only. See DESCRIPTION for possible service replacement.



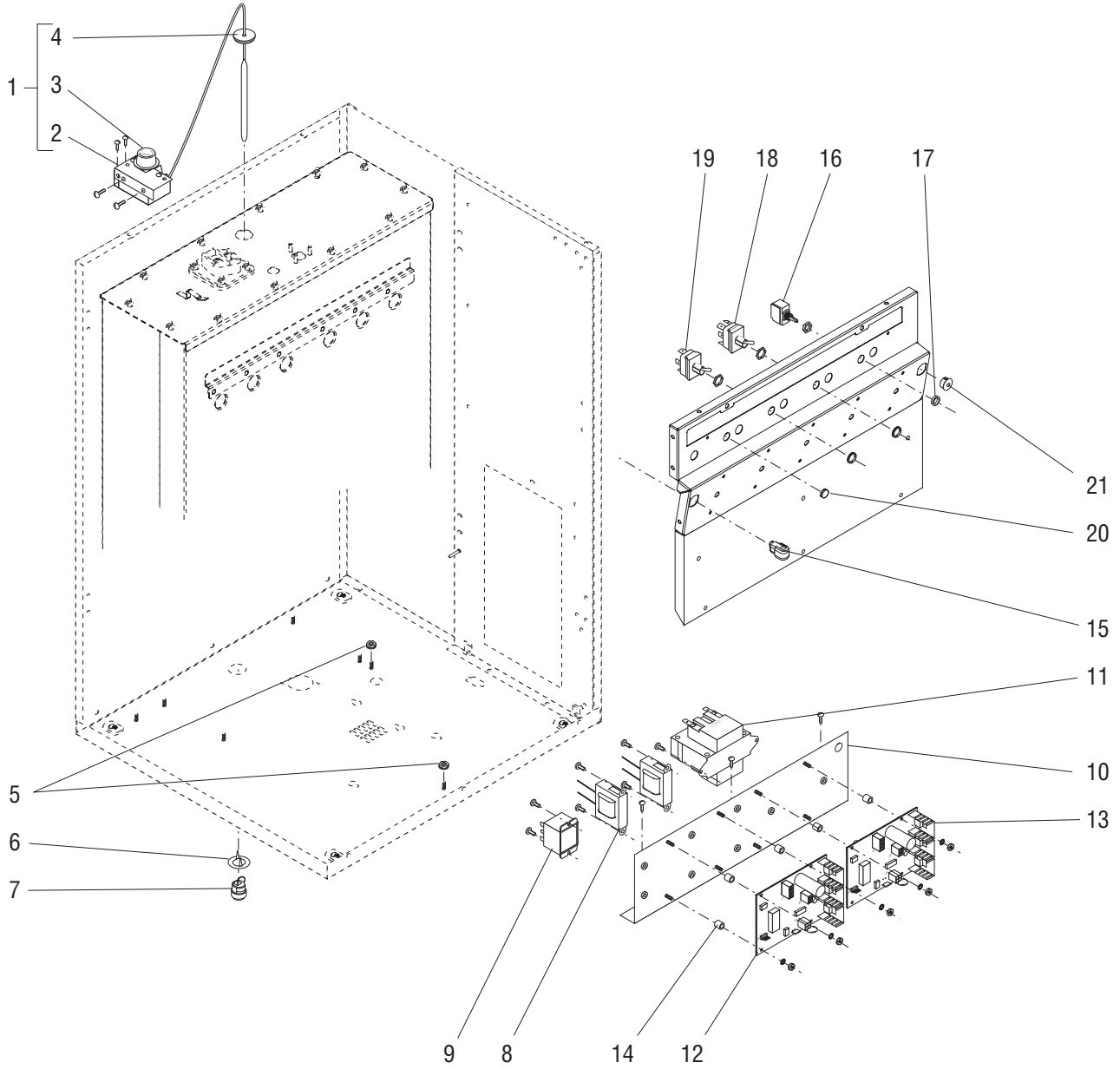
ELECTRICAL CONTROLS

ITEM	PART NO.	QTY.	DESCRIPTION
1	-----	1	Thermostat Assembly (Not available. Order item 27)
	01311.0000	2	Screw, Truss Head #8-32 x .25" (Mounting)
	20762.0000	2	Screw, Binding Head #8-32 x .25" (Terminal)
2	28224.0000	1	Bracket
	02301.0001	2	Screw, Pan Head #6-32 x .312"
3	00720.0000	1	Knob
4	07073.1000	1	Grommet
5	00970.0000	2	Nut, Keps #8-32 - Ground
6	00715.0000	1	Adapter Washer, Strain Relief
7	00713.0000	1	Bushing, Strain Relief
8	28327.0002	2	Ballast
	01311.0001	4	Screw, Locking #8-32 x .25"
9	35207.0000	1	Relay
	02308.0000	2	Screw, Pan Head #8-32 x .38" (Early Models)
	00973.0000	4	Nut, Keps #6-32 (Late Models)
10	34625.0000	1	Bracket
	01311.0000	3	Screw #8-32 x .25"
11	32824.0001	1	Transformer
	01311.0001	2	Screw, Locking #8-32 x .25"
12	38739.1000	1	Control Board #1
	01510.0000	4	Lockwasher, External Tooth #6
	00973.0000	4	Nut, Keps #6-32
13	38739.1001	1	Control Board #2
	01510.0000	4	Lockwasher, External Tooth #6
	00973.0000	4	Nut, Keps #6-32
14	00450.0000	8	Spacer
15	01666.0001	1	Bushing, Strain Relief
16	23522.1000	1	Switch, Tank Heater
17	23697.0000	1	Face Nut .469"-32
18	28857.1000	1	Switch, Rinse/Run (Includes nuts)
19	28856.1000	1	Switch, Increase/Decrease (Includes nuts)
20	00619.0010	1	Plug
21	00669.0004	1	Plug
The following items are not illustrated			
22	20630.0008	1	Power Cord
23	34984.0000	1	Wiring Harness, Switches

(continued)

* Indicates the part number listed is for reference only. See DESCRIPTION for possible service replacement.

(Continued)



ELECTRICAL CONTROLS

ITEM	PART NO.	QTY.	DESCRIPTION
24	34983.0004	1	Wiring Harness, Main (High Voltage)
	00908.0000	1	Nut, Hex #8-32 (Grounding)
	01511.0000	1	lockwasher, External-tooth #8
25	34982.0001	1	Wiring Harness, Auger Motors (Low Voltage)
26	28862.0000	1	Lead, Jumper (No Cold Water Valve)
27	40791.1006	-	Thermostat Kit (Includes items 1 - 4)

* Indicates the part number listed is for reference only. See DESCRIPTION for possible service replacement.

NUMERICAL INDEX

PART NO.	PAGE NO.	PART NO.	PAGE NO.	PART NO.	PAGE NO.	PART NO.	PAGE NO.
00450.0000.....	27	20976.0017.....	21	28867.0000.....	19	36650.0000.....	9,13
00619.0010.....	5,27	20976.0055.....	23	28872.0000.....	5	36653.0001.....	17
00656.0001.....	7	20976.0056.....	23	29329.1000.....	21	36656.0001.....	9
00669.0004.....	9,13,27	20976.1000.....	23	32283.0000.....	23	36656.0003.....	13
00707.0001.....	15	20976.1001.....	23	32337.0000.....	17	36658.0000.....	9
00713.0000.....	27	20976.1002.....	23	32386.0001.....	17	36659.0000.....	11
00715.0000.....	27	21436.0000.....	7	32806.0000.....	9,13	36659.0002.....	11,13
00720.0000.....	27	21801.0002.....	21,25	32807.0001.....	9,13	36661.0000.....	11
00831.0000.....	7	22728.0000.....	21	32824.0001.....	27	36661.0002.....	11
00908.0000.....	21,29	23522.1000.....	27	32863.1000.....	9,13	36662.0000.....	9,13
00946.0000.....	21	23697.0000.....	27	32906.0001.....	19	36667.1000.....	9
00970.0000.....	21,23,27	24457.0002.....	9	34362.0000.....	11	36667.1002.....	9
00973.0000.....	27	24733.0010.....	19	34392.0000.....	21	36669.0000.....	11
00991.0002.....	17	24733.0011.....	25	34625.0000.....	27	36670.0000.....	7
01311.0000.....	5,7,11,13,17,27	25732.0000.....	19	34666.0000.....	5	36734.0000.....	9,13
01311.0001.....	5,7,9,11	25733.0003.....	19	34667.0000.....	11	36739.0000.....	7
01311.0001.....	13,19,21,27	25734.0002.....	19	34982.0001.....	29	36741.1000.....	21
01311.0003.....	5,7	25734.1000.....	19	34983.0004.....	29	36741.1001.....	21
01326.0000.....	25	25736.0000.....	19	34984.0000.....	27	36742.0000.....	7
01326.0002.....	17	25743.0000.....	17	34985.0001.....	11	36743.0000.....	7
01360.0002.....	9	25803.0000.....	25	34985.0002.....	15	36743.0001.....	5
01382.0002.....	5	25902.0000.....	19	34998.0000.....	5	36766.0000.....	17
01403.0000.....	11	25903.0000.....	17	35207.0000.....	27	36768.0000.....	9,13
01501.0000.....	21	26356.0000.....	19	35260.0000.....	15,17	36768.0005.....	9,13
01509.0001.....	5	26356.1000.....	19	35912.0001.....	5	36770.0000.....	17
01510.0000.....	27	26369.1000.....	25	35915.1001.....	5	36773.0000.....	17
01511.0000.....	29	26401.0000.....	17	35916.1001.....	5	36774.0000.....	17
01526.0001.....	7	26523.0000.....	5	35924.0000.....	7	36887.0001.....	11
01666.0000.....	11	26524.0000.....	5	35925.1001.....	7	36887.0003.....	15
01666.0001.....	27	26528.0000.....	7	35926.0000.....	5	36896.0000.....	7
02301.0001.....	27	26537.0000.....	11,15	35927.0002.....	5	37010.1001.....	17
02308.0000.....	27	26537.0001.....	11,15	35929.0002.....	5	37011.0001.....	17
02336.0000.....	11	26537.0003.....	11,15	35929.0006.....	5	37013.0000.....	9,13
02336.0000.....	5,7,9	26537.0039.....	11,15	35937.0000.....	21	37037.0001.....	17
02434.0005.....	15	26940.0002.....	17	35937.0002.....	21	37065.0000.....	7
02434.0008.....	7	28067.0000.....	17	35940.0003.....	21	37096.0000.....	9
02434.0018.....	7	28095.0000.....	9,13	35942.0000.....	23	37096.0003.....	13
02434.1000.....	7	28224.0000.....	27	36149.0000.....	9	37180.1000.....	5
02434.1001.....	7	28295.0000.....	19	36220.0000.....	21	37254.0000.....	9,13
02536.0000.....	5,13,21	28296.0002.....	9,13	36222.0000.....	23	37297.0006.....	23
03633.0000.....	21	28297.0001.....	19	36224.1002.....	7	37539.1000.....	17
03803.0002.....	21	28327.0002.....	27	36224.1003.....	7	37881.0000.....	7
03807.0000.....	21	28328.0010.....	5	36226.0000.....	21	37970.0000.....	25
03996.0000.....	7	28335.0000.....	13	36229.0001.....	7	37970.0001.....	25
04797.0000.....	21	28368.0000.....	5	36230.0001.....	5	37988.0000.....	5
05515.0000.....	21	28428.1000.....	19	36232.0000.....	5	38345.0000.....	7
07073.1000.....	27	28526.0027.....	25	36233.1000.....	23	38431.0001.....	13
11630.0001.....	21	28526.0028.....	21	36235.0000.....	5	38451.0000.....	9,13
12398.0000.....	21	28526.1000.....	23	36235.0002.....	5	38452.1000.....	9
12422.0001.....	21,25	28526.1001.....	23,25	36240.0001.....	7	38499.0000.....	9,13
12422.0005.....	21	28526.1002.....	23,25	36244.0000.....	9,13	38524.0000.....	7
12517.0001.....	9,13	28526.1003.....	23,25	36378.0001.....	23	38739.1000.....	27
13255.0003.....	7	28856.1000.....	27	36398.0000.....	7	38739.1001.....	27
20203.0100.....	21	28857.1000.....	27	36644.0000.....	5	38840.0000.....	9
20630.0008.....	27	28862.0000.....	29	36644.0001.....	5	38948.0000.....	23
20762.0000.....	27	28864.0004.....	19	36647.0000.....	9	39133.0000.....	21
20936.1000.....	21	28865.0000.....	19	36647.0001.....	9	39133.1001.....	21
20960.0000.....	17	28866.0000.....	19	36648.0000.....	5	39285.1001.....	25

NUMERICAL INDEX

PART NO.	PAGE NO.	PART NO.	PAGE NO.	PART NO.	PAGE NO.	PART NO.	PAGE NO.
39442.0000.....	17						
40031.1000.....	11						
40031.1001.....	11						
40032.0002.....	13						
40791.1006.....	29						
41259.1003.....	21						
41266.0000.....	21						
41280.0001.....	21						
41564.0001.....	13						
41921.0000.....	13						
41923.0000.....	13						
42487.0000.....	15						
42596.0001.....	15						
42687.0000.....	9,13						
43514.0001.....	13						
43644.0000.....	23						
44095.0000.....	15						
44224.0000.....	5,7,9,13						
45964.1000.....	25						