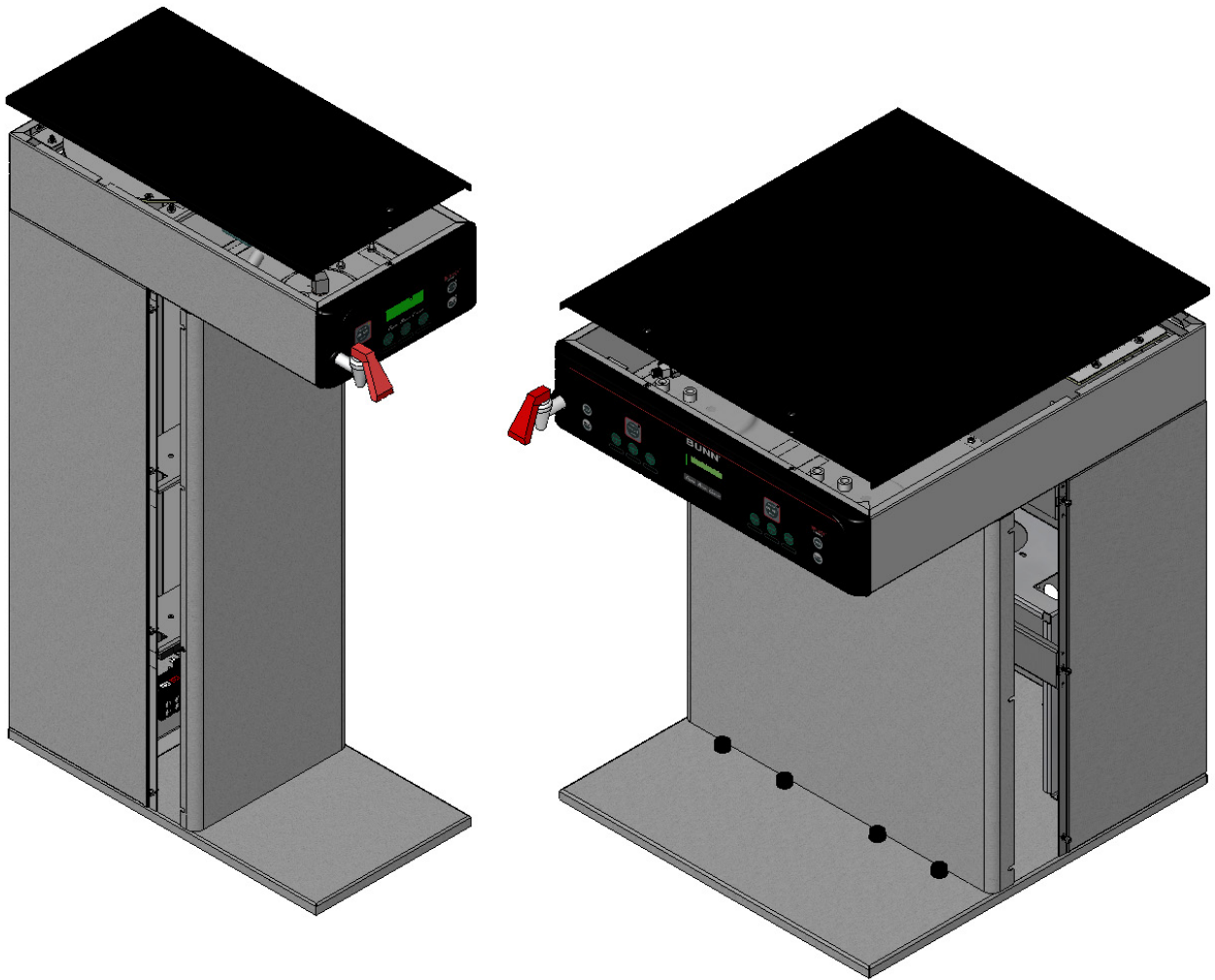


BUNN®

*ICBA, ICBB, ICBC,
ICB-DV, ICB Twin
Infusion Series®*

with Smart Funnel®

*Supersedes Illustrated Parts Catalogs:
37078.0000; 38112.0002*



ILLUSTRATED PARTS CATALOG

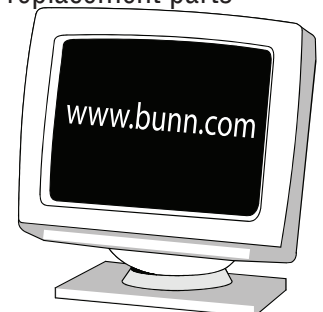
Designs, materials, weights, specifications, and dimensions for equipment or replacement parts are subject to change without notice.

BUNN-O-MATIC CORPORATION

POST OFFICE BOX 3227

SPRINGFIELD, ILLINOIS 62708-3227

PHONE: (217) 529-6601 FAX: (217) 529-6644



BUNN-O-MATIC COMMERCIAL PRODUCT WARRANTY

Bunn-O-Matic Corp. ("BUNN") warrants equipment manufactured by it as follows:

- 1) Airpots, thermal carafes, decanters, GPR servers, iced tea/coffee dispensers, MCP/MCA pod brewers thermal servers and ThermoFresh servers (mechanical and digital)- 1 year parts and 1 year labor.
- 2) All other equipment - 2 years parts and 1 year labor plus added warranties as specified below:
 - a) Electronic circuit and/or control boards - parts and labor for 3 years.
 - b) Compressors on refrigeration equipment - 5 years parts and 1 year labor.
 - c) Grinding burrs on coffee grinding equipment to grind coffee to meet original factory screen sieve analysis - parts and labor for 4 years or 40,000 pounds of coffee, whichever comes first.

These warranty periods run from the date of installation BUNN warrants that the equipment manufactured by it will be commercially free of defects in material and workmanship existing at the time of manufacture and appearing within the applicable warranty period. This warranty does not apply to any equipment, component or part that was not manufactured by BUNN or that, in BUNN's judgment, has been affected by misuse, neglect, alteration, improper installation or operation, improper maintenance or repair, non periodic cleaning and descaling, equipment failures related to poor water quality, damage or casualty. In addition, the warranty does not apply to replacement of items subject to normal use including but not limited to user replaceable parts such as seals and gaskets. This warranty is conditioned on the Buyer 1) giving BUNN prompt notice of any claim to be made under this warranty by telephone at (217) 529-6601 or by writing to Post Office Box 3227, Springfield, Illinois 62708-3227; 2) if requested by BUNN, shipping the defective equipment prepaid to an authorized BUNN service location; and 3) receiving prior authorization from BUNN that the defective equipment is under warranty.

THE FOREGOING WARRANTY IS EXCLUSIVE AND IS IN LIEU OF ANY OTHER WARRANTY, WRITTEN OR ORAL, EXPRESS OR IMPLIED, INCLUDING, BUT NOT LIMITED TO, ANY IMPLIED WARRANTY OF EITHER MERCHANTABILITY OR FITNESS FOR A PARTICULAR PURPOSE. The agents, dealers or employees of BUNN are not authorized to make modifications to this warranty or to make additional warranties that are binding on BUNN. Accordingly, statements by such individuals, whether oral or written, do not constitute warranties and should not be relied upon.

If BUNN determines in its sole discretion that the equipment does not conform to the warranty, BUNN, at its exclusive option while the equipment is under warranty, shall either 1) provide at no charge replacement parts and/or labor (during the applicable parts and labor warranty periods specified above) to repair the defective components, provided that this repair is done by a BUNN Authorized Service Representative; or 2) shall replace the equipment or refund the purchase price for the equipment.

THE BUYER'S REMEDY AGAINST BUNN FOR THE BREACH OF ANY OBLIGATION ARISING OUT OF THE SALE OF THIS EQUIPMENT, WHETHER DERIVED FROM WARRANTY OR OTHERWISE, SHALL BE LIMITED, AT BUNN'S SOLE OPTION AS SPECIFIED HEREIN, TO REPAIR, REPLACEMENT OR REFUND.

In no event shall BUNN be liable for any other damage or loss, including, but not limited to, lost profits, lost sales, loss of use of equipment, claims of Buyer's customers, cost of capital, cost of down time, cost of substitute equipment, facilities or services, or any other special, incidental or consequential damages.

392, A Partner You Can Count On, AutoPOD, AXIOM, BrewLOGIC, BrewMETER, Brew Better Not Bitter, BrewWISE, BrewWIZARD, BUNN Espresso, BUNN Family Gourmet, BUNN Gourmet, BUNN Pour-O-Matic, BUNN, BUNN with the stylized red line, BUNNlink, Bunn-OMatic, Bunn-O-Matic, BUNNserve, BUNNSERVE with the stylized wrench design, Cool Froth, DBC, Dr. Brew stylized Dr. design, Dual, Easy Pour, EasyClear, EasyGard, FlavorGard, Gourmet Ice, Gourmet Juice, High Intensity, iMIX, Infusion Series, Intellisteam, My Café, Phase Brew, PowerLogic, Quality Beverage Equipment Worldwide, Respect Earth, Respect Earth with the stylized leaf and coffee cherry design, Safety-Fresh, savemycoffee.com, Scale-Pro, Silver Series, Single, Smart Funnel, Smart Hopper, SmartWAVE, Soft Heat, SplashGard, The Mark of Quality in Beverage Equipment Worldwide, ThermoFresh, Titan, trifacta, Velocity Brew, Air Brew, Air Infusion, Beverage Bar Creator, Beverage Profit Calculator, Brew better, not bitter., BUNNSource, Coffee At Its Best, Cyclonic Heating System, Daypart, Digital Brewer Control, Element, Nothing Brews Like a BUNN, Pouring Profits, Signature Series, Tea At Its Best, The Horizontal Red Line, Ultra are either trademarks or registered trademarks of Bunn-O-Matic Corporation. The commercial trifacta® brewer housing configuration is a trademark of Bunn-O-Matic Corporation.

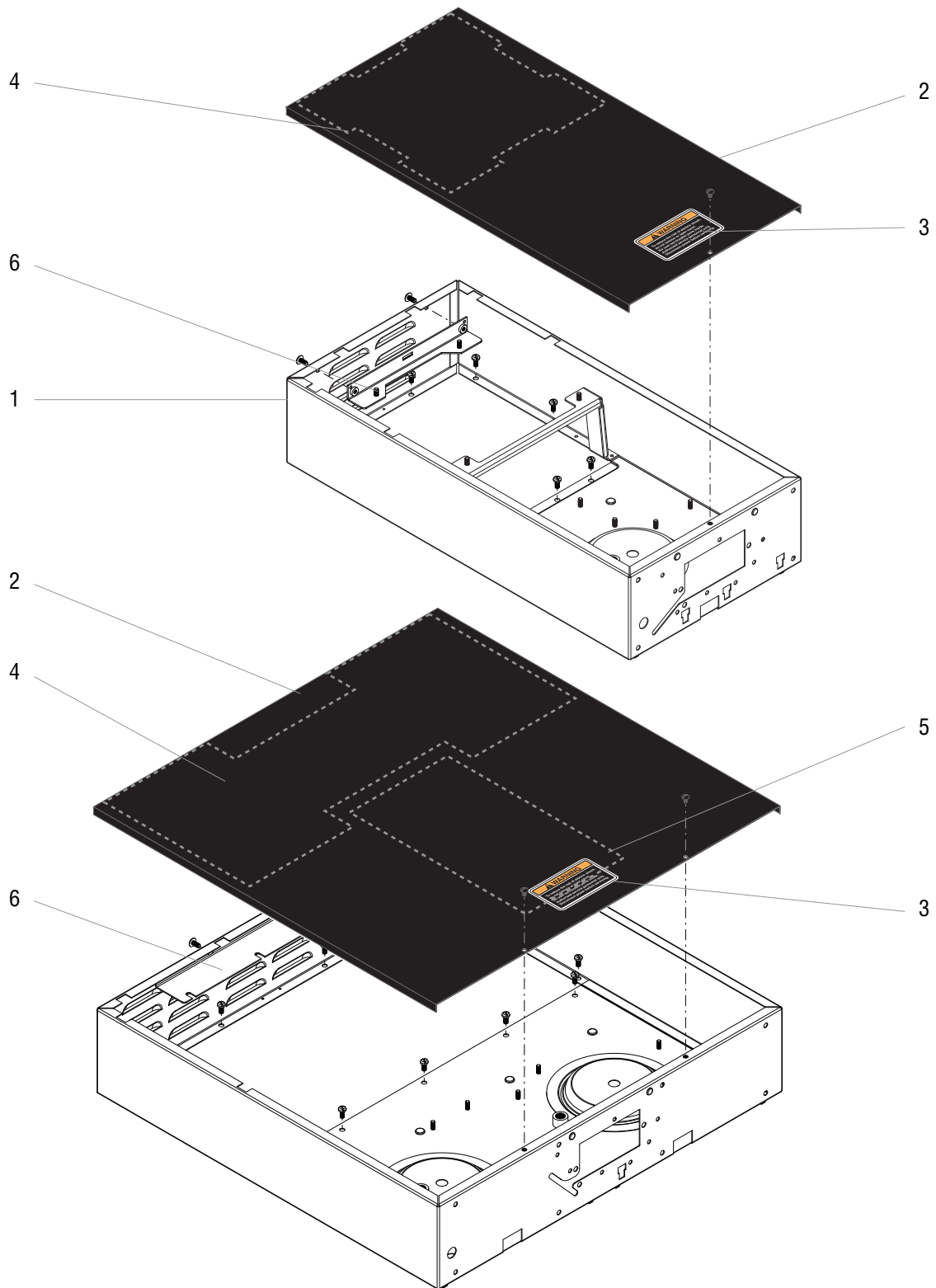
TABLE OF CONTENTS

HOOD ASSEMBLIES	4
TRUNKS.....	6
BASES.....	8
TANK AND COMPONENTS	10
TANK FILL/DRAIN	12
DISPENSE/BYPASS VALVES, SPRAYHEAD, & FAUCET	14
ELECTRICAL AND OPERATING CONTROLS	18
FUNNELS	24
NUMERICAL INDEX	26

To order coffee filters, water filters, or other accessories, refer to Specification Sheets at www.bunn.com

ICB-DV.....	Dual Voltage Brewer
ICBA.....	230 Volt Brewer
ICBB.....	200 Volt Brewer
ICBC-DV.....	Canadian Dual Voltage Brewer

Fraction	Decimal		Fraction	Decimal
1/16	0.063		9/16	0.563
1/8	0.125		5/8	0.625
3/16	0.188		11/16	0.688
1/4	0.250		3/4	0.750
5/16	0.313		13/16	0.813
3/8	0.375		7/8	0.875
7/16	0.438		15/16	0.938
1/2	0.500		1	1.000



* Indicates the part number listed is for reference only.

HOOD ASSEMBLIES

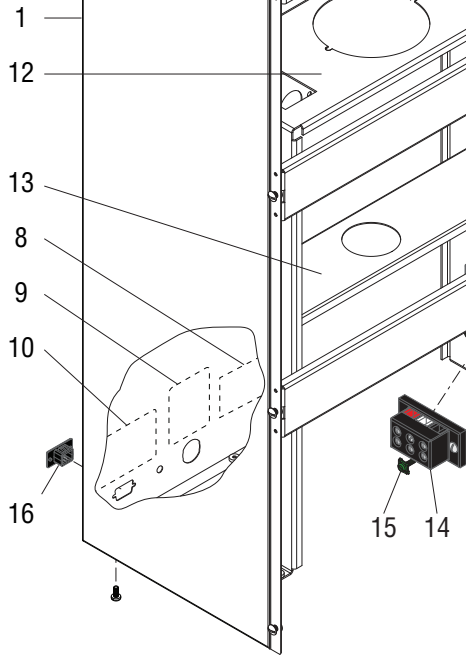
ITEM	PART NO.	QTY.		DESCRIPTION
		TWIN	SINGLE	
1	36639.0005	-	1	Hood, SST - 19.9" Depth
	36639.0006	-	1	Hood, BLK - 19.9" Depth
	36639.0007	-	1	Hood, SST - 20.7" Depth (Models w/funnel lock only)
	37920.0002	1	-	Hood, SST - 21.8" Depth
	37920.0003	1	-	Hood, BLK - 21.8" Depth
	37920.0006	1	-	Hood, SST - 19.8" Depth
	37920.0007	1	-	Hood, BLK - 19.8" Depth
	02308.0000	20	10	Screw, Pan Head #8-32 x .38"
2	37870.1000	1	-	Cover, Top (Includes 5-7) (For use with 21.8" Hood)
	37870.1004	1	-	Cover, Top (Includes 5-7) (For use with 19.8" Hood)
	36355.1006	-	1	Cover, Top - 19.9" (Includes 5-6)
	36355.1013	-	1	Cover, Top - 20.7" (Includes 5-6) (Models w/funnel lock only)
	01308.0003	2	1	Screw, Truss Head BLK #6-32 x .25"
3	37881.0000	-	1	Decal, No Serviceable Parts
4	25151.0002	-	1	Shield, Insulator
	25151.0003	1	-	Shield, Insulator
5	37299.0001	1	-	Schematic, 120/240V
	37299.0004*	1	-	Schematic, 230V
6	37967.0000	1	-	Bracket, Tank Support, Twin (Upper)
	01308.0002	2	-	Screw, Truss Head #6-32 x .25"
	36608.0001	-	1	Bracket, Tank Support, Single
	01317.0003	-	2	Screw, Truss Head #8-32 x .375"

* Indicates the part number listed is for reference only.

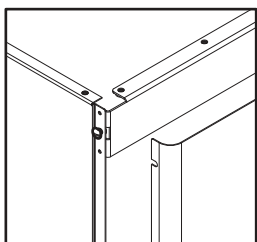
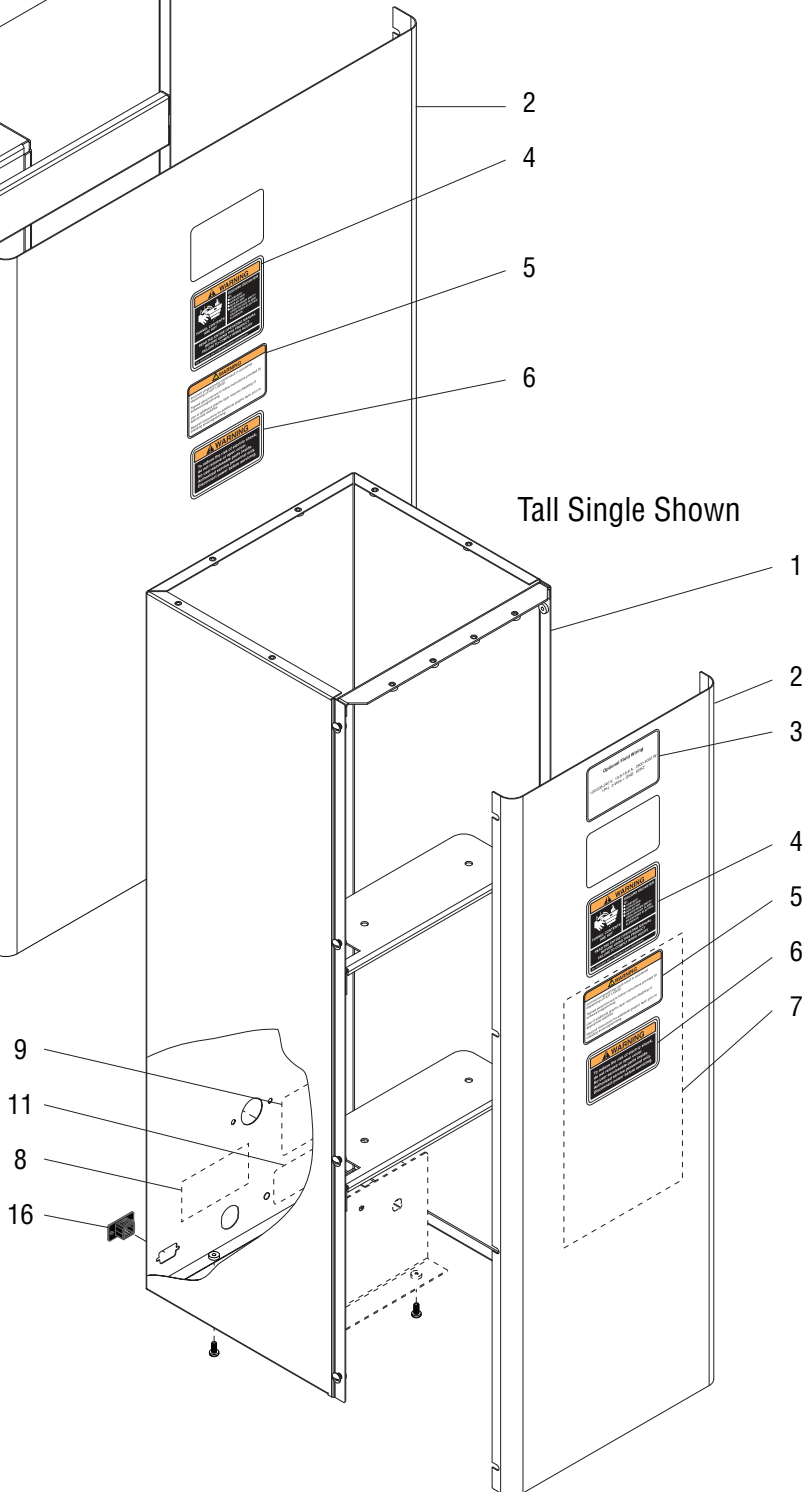
Early model trunks with first type Water Inlet Valve are obsolete—order new style as listed

Tall Twin Shown

Trunk with flange facing front for 21.8" hood shown



Tall Single Shown



New style trunk & front panel for use with 19" hood. -TWINS ONLY-

* Indicates the part number listed is for reference only.

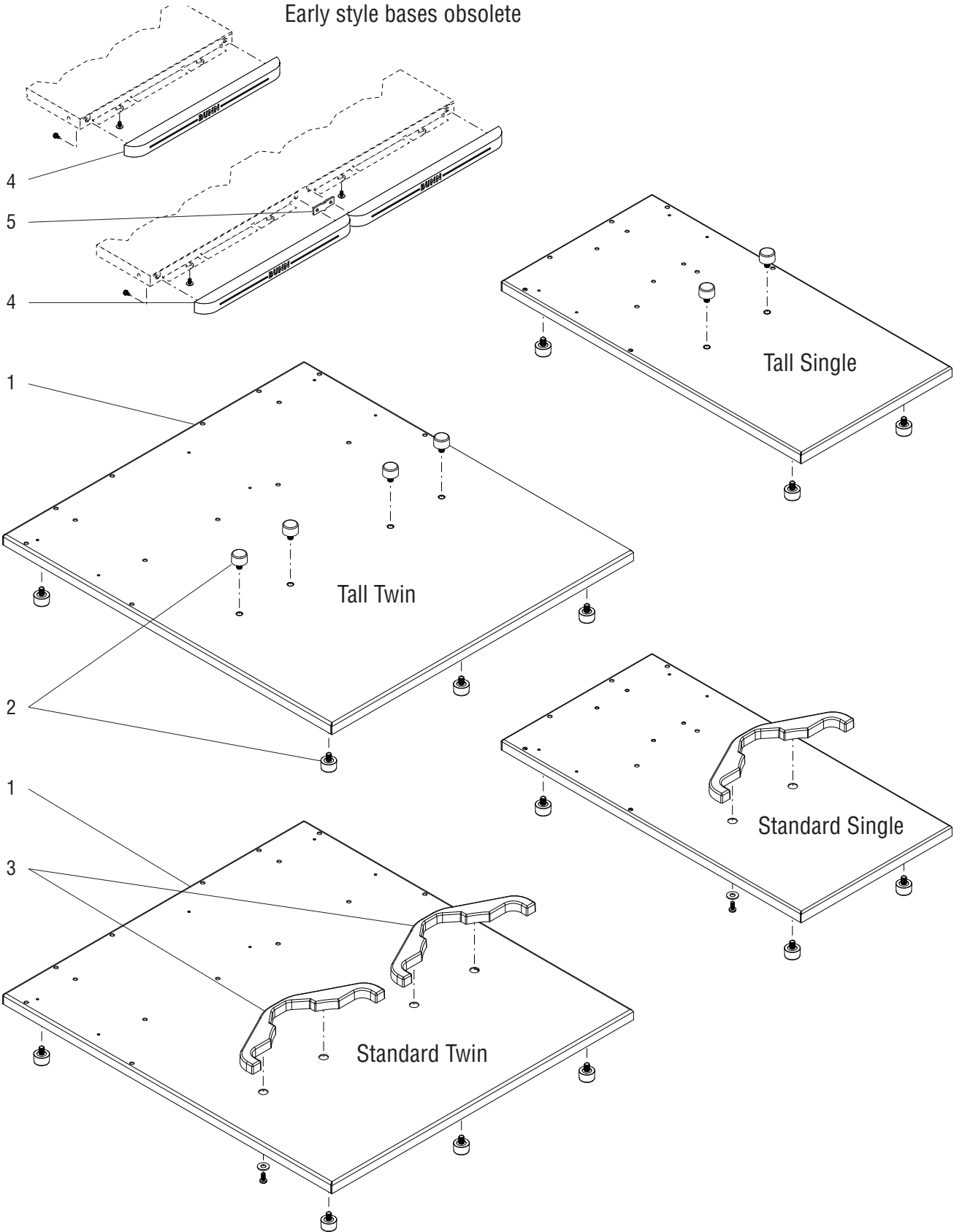
TRUNKS

ITEM	PART NO.	QTY. TWIN	QTY. SINGLE	DESCRIPTION	
1	36637.1004	-	1	Trunk, 20.8" SST (Includes 8,9,12,13) w/Rocker Sw.	
	36637.1005	-	1	Trunk, 20.8" BLK (Includes 8,9,12,13) w/Rocker Sw.	
	36637.1006	-	1	Trunk, 20.8" SST (Includes 8,9,12,13) w/Toggle Sw.	
	36637.1007	-	1	Trunk, 20.8" BLK (Includes 8,9,12,13) w/Toggle Sw.	
	39453.1000	-	1	Trunk, 29.0" SST (Includes 8,9,12,13) w/Rocker Sw.	
	39453.1001	-	1	Trunk, 29.0" SST (Includes 8,9,12,13) w/Toggle Sw.	
	37951.1004	1	-	Trunk, 20.8" BLK (125/250V) (Includes 8-10,13) (For use with 21.8" Hood)	
	37951.1005	1	-	Trunk, 20.8" SST (125/250V) (Includes 8-10,13) (For use with 21.8" Hood)	
	37951.1105	1	-	Trunk, 20.8" SST (125/250V) (Includes 8-10,13) (For use with 19.8" Hood)	
	37951.1106	1	-	Trunk, 20.8" BLK (125/208V) (Includes 8-10,13) (For use with 19.8" Hood)	
	39455.1000	1	-	Trunk, 29.0" SST (125/250V) (Includes 8-10,13)(For use with 21.8" Hood)	
	39455.1002	1	-	Trunk, 29.0" SST (125/250V) (Includes 8-10,13)(For use with 19.8" Hood)	
	02308.0000	10	8	Screw #8-32 x .38"	
	2	36643.1000	-	1	Panel, SST, 20.8" (ICB-DV) (Includes 3-7)
		36643.1001	-	1	Panel, SST, 20.8" (ICBA, B, & CE) (Includes 5 & 7)
36643.1002		-	1	Panel, BLK, 20.8" (ICB-DV) (Includes 3-7)	
39450.1000		-	1	Panel, SST 29.0" (ICB-DV) (Includes 3-7)	
37865.1000		1	-	Panel, SST 20.8" (Standard Twin) (For use with 21.8" Hood) (Includes 4-7)	
37865.1001		1	-	Panel, BLK 20.8" (Standard Twin) (For use with 21.8" Hood) (Includes 4-7)	
37865.1002		1	-	Panel, SST 20.8" (Standard Twin) (For use with 19.8" Hood) (Includes 4-7)	
37865.1003		1	-	Panel, BLK 20.8" (Standard Twin) (For use with 19.8" Hood) (Includes 4-7)	
39541.1000		1	-	Panel, SST 29.0" (Tall Twin) (For use with 21.8" Hood) (Includes 4-7)	
39541.1002		1	-	Panel, SST 29.0" (Tall Twin) (For use with 19.8" Hood) (Includes 4-7)	
01311.0001		6	6	Screw, Truss Head, Locking #8-32 x .25" (SST)	
01311.0004	6	6	Screw, Truss Head, Locking #8-32 x .25" (BLK)		
3	29710.0011	-	1	Decal, Optional Field Wiring (ICB-DV Only)	
	29710.7011	-	1	Decal, Optional Field Wiring (ICBC-DV Only)	
4	00658.0000	1	1	Decal, Warning-Decanter/Funnel	
5	39175.0000	1	1	Decal, Warning Overlay Graphic	
6	37881.0000	1	1	Decal, No User Serviceable Parts	
7	37299.0000	-	1	Schematic, ICB-DV	
8	00656.0001	1	1	Decal, Compliance To Plumbing Code	
9	00986.0000	1	1	Decal, Warning-Electrical	
10	38125.0000	1	-	Decal, Warning-Plug (125/250V)	
11	34072.0000	-	1	Decal, Power Cord Warning (ICB-DV Only)	
12	39596.0001	1	-	Lower Tank Support (Tall Twin)	
	37953.0002	1	-	Lower Tank Support (Std. Twin)	
	02308.0000	4	4	Screw #8-32 x .38"	
13	39599.0000	1	-	Bracket, Tank Support (Tall Twin Only)	
	02308.0000	4	-	Screw #8-32 x .38"	
14	07038.0000	1	-	Terminal Block 120V/240V	
	01317.0000	2	-	Screw, Truss Head #8-32 x .50"	
15	37804.0000	1	-	Screw, Grounding #8-32 x .50"	
16	36398.0000	1	1	Hole Plug, DB-9 (Early Models Only)	

Twins from
May 18, 2007
and later

* Indicates the part number listed is for reference only.

Early style bases obsolete

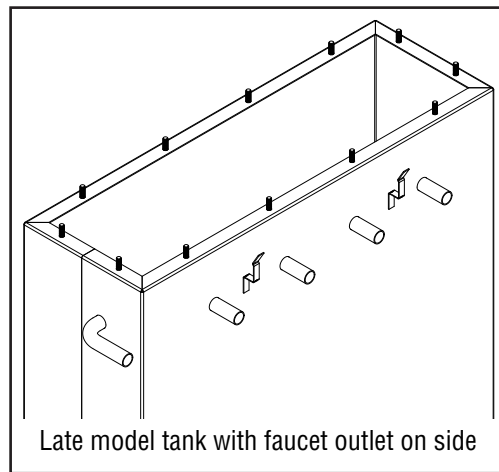
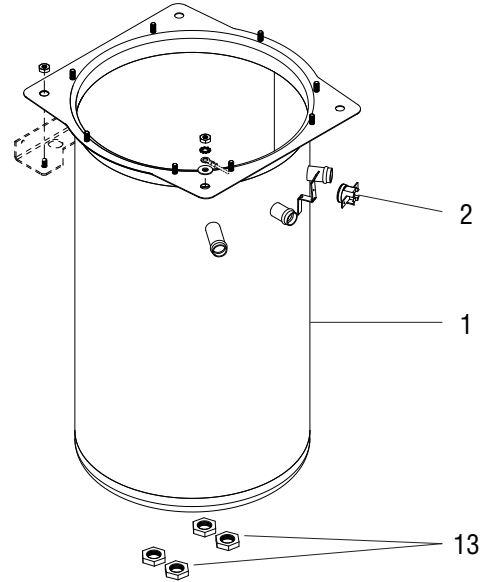
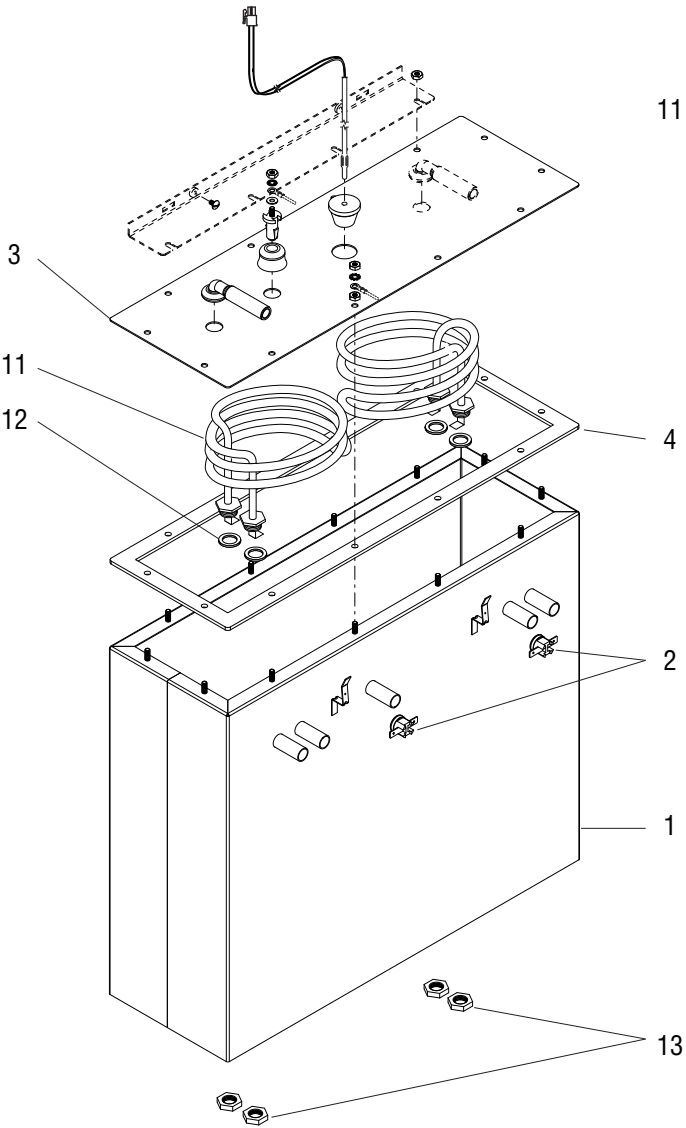
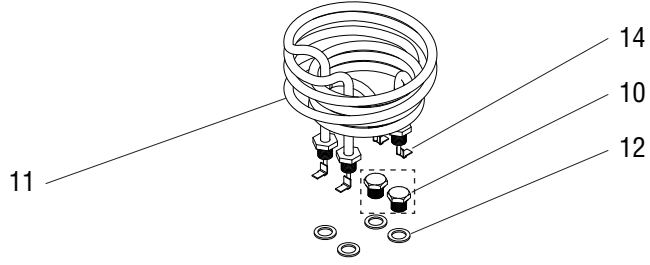
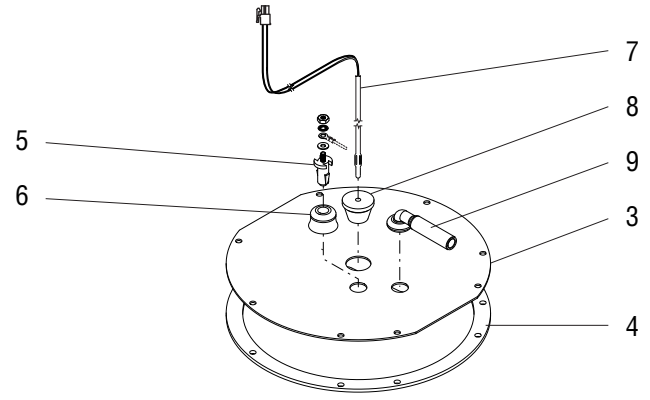
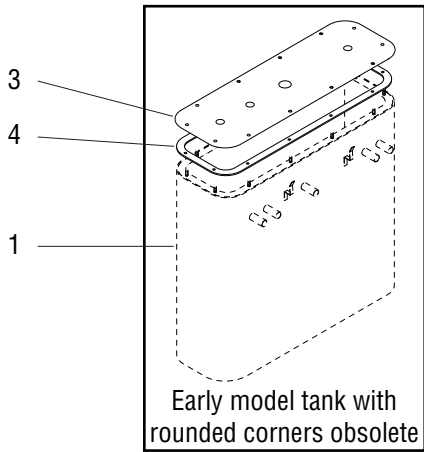


* Indicates the part number listed is for reference only.

BASES

ITEM	PART NO.	QTY.		DESCRIPTION
		TWIN	SINGLE	
1	36635.0002	-	1	Base, Standard Single
	39615.0000	-	1	Base, Tall Single
	37866.0001	1	-	Base, Standard Twin (For use with 21.8" Hood)
	39594.0000	1	-	Base, Tall Twin (For use with 21.8" Hood)
	37866.0002	1	-	Base, Standard Twin (For use with 19.8" Hood)
	39594.0002	1	-	Base, Tall Twin (For use with 19.8" Hood)
2	25137.0001	6	4	Foot (Add 2 for Tall Single, Add 4 for Tall Twin)
3	37274.0001	2	1	Server Stop
	02308.0000	4	2	Screw, Pan Head #8-32 x .38"
	01503.0000	4	2	Washer
4	36361.0000	2	1	Trim, Base Cover
	01308.0002	4	2	Screw, Truss Head, Locking #6-32 x .25"
	02332.0005	4	2	Screw, Hex #6 x .38"
5	37926.0000*	1	-	Spacer

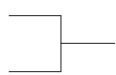
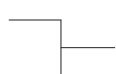
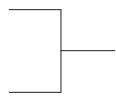
* Indicates the part number listed is for reference only.



P3823.50

* Indicates the part number listed is for reference only.

TANK AND COMPONENTS

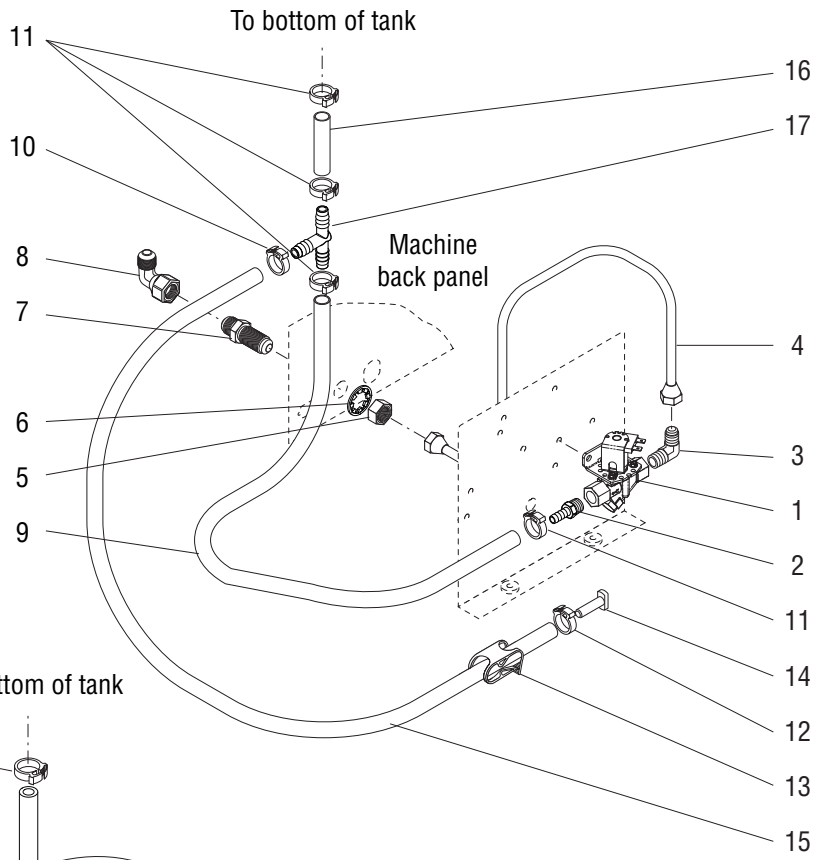
ITEM	PART NO.	QTY. TWIN	QTY. SINGLE	DESCRIPTION
1	37782.0001*	1	-	Tank, Twin (Rounded) Obsolete - Order New Style
	37782.0003	1	-	Tank, Twin (Squared)
	37782.0004	1	-	Tank, Twin Late Style Side Outlet
	36604.0000	-	1	Tank, Single
	00908.0000	-	4	Nut, #8-32
	01522.0000	-	1	Flat Washer
	01511.0000	-	1	Lockwasher, Ext. Tooth #8
				 Ground circuit for liquid level probe - Singles
2	29329.1000	2	1	Thermostat, Limit
3	37776.0000*	1	-	Tank Lid, Twin (Early Style, not available)
	37776.0005	1	-	Tank Lid, Twin (New Style, left vent only)
	36606.0001	-	1	Tank Lid, Single
	00908.0000	12	8	Nut, #8-32
	01511.0000	2	1	Lockwasher, Ext. Tooth #8
				 Ground circuit for liquid level probe - Twins
4	35937.0000	1	-	Gasket, Twin Tank Lid (Rounded)
	35937.0002	1	-	Gasket, Twin Tank Lid (Squared)
	36605.0000	-	1	Gasket, Single Tank Lid
5	07412.1002	1	1	Probe Kit, Liquid Level
	01501.0000	1	1	Flat Washer
	20203.0100	1	1	Lockwasher, Int. Tooth #8
	00908.0000	1	1	Nut, #8-32
				 Included in kit
6	38114.0000	1	1	Grommet, Liquid Level Probe
7	39085.1001	1	1	Probe, Temperature Sensor 10.5"
8	33801.0001	1	1	Grommet, Temperature Sensor
9	38969.0001	2	1	Fitting, 90° Silicone (Newer Twins use one on left side only)
10	00486.0003	-	2	Plug (Non DV Single)
11	29485.1001	-	1	Tank Heater 2268W, 120V (Includes item 12) Single DV (Outer)
	29485.1002	2	-	Tank Heater 3000W, 240V (Includes item 12) Twin
	29485.1003	2	-	Tank Heater 3000W, 208V (Includes item 12) Twin
	29669.1000	-	1	Tank Heater 3000W, 240V (Includes item 12) Single (CE)
	20942.1000	-	1	Tank Heater 3500W, 200V (Includes item 12) Single (B)
12	00943.0000	4	4	Gasket, Tank Heater
13	00942.0000	4	4	Nut, Brass .5"-20
14	02755.1001	-	1	Tank Heater 1680W, 120V (Includes item 14) DV Only (Inner)

The following items are not illustrated

15	37755.1000	1	-	Tank Kit 3000W 240V (Front Outlet)
	37755.1001	1	-	Tank Kit 3000W 208V (Front Outlet)
	37755.1002	1	-	Tank Kit 3000W 240V (Side Outlet)
	37755.1003	1	-	Tank Kit 3000W 208V (Side Outlet)
	37298.1003	-	1	Tank Kit DualVolt
	37298.1004	-	1	Tank Kit 3000W 230V
	37298.1005	-	1	Tank Kit 3500W 200V

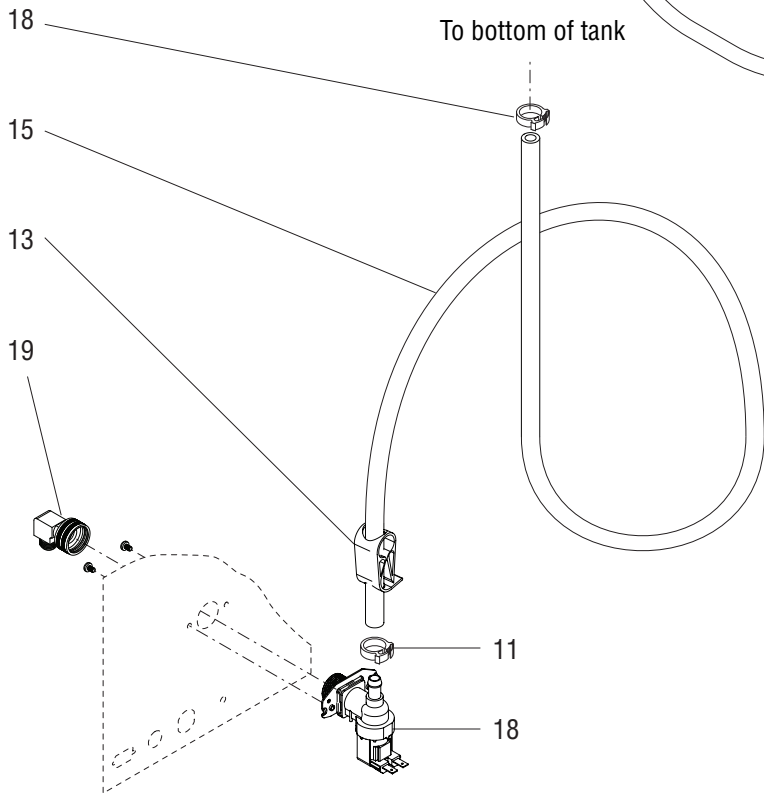
* Indicates the part number listed is for reference only.

FIRST TYPE

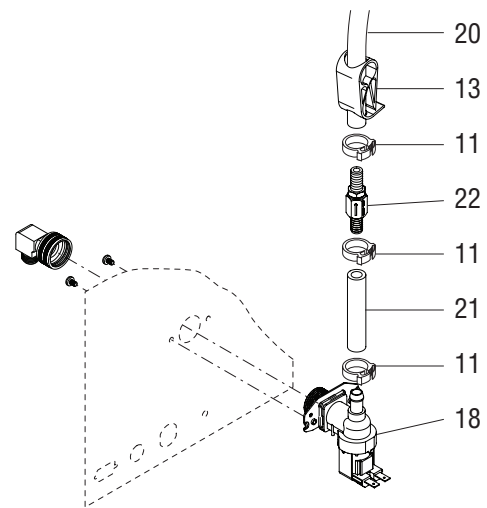


Machine back panel

To bottom of tank



SECOND TYPE



**230V CE MODELS &
OPTIONAL ON SOME
DOMESTIC MODELS**

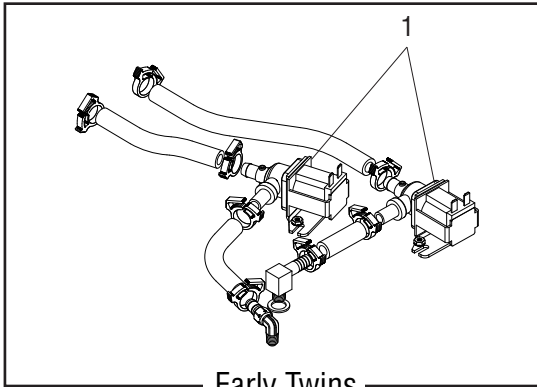
P3824.50

* Indicates the part number listed is for reference only.

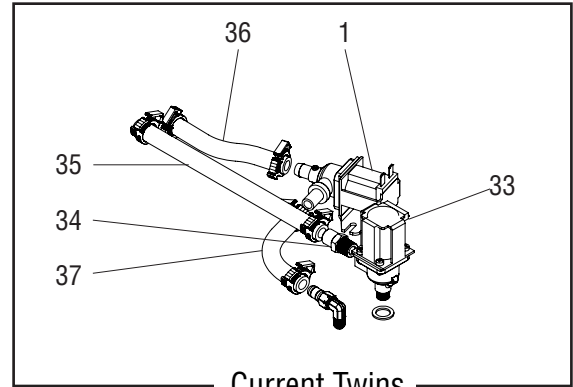
TANK FILL/DRAIN

ITEM	PART NO.	QTY. TWIN	QTY. SINGLE	DESCRIPTION	
1	35094.0001	1	1	Valve, Water Inlet 120V	} Models with first type Valve
	35094.0002	1	1	Valve, Water Inlet 200V	
	35094.0004	1	1	Valve, Water Inlet 240V	
	32283.0000	2	1	Screw, Pan Head M4 x 6MM	
2	24376.0001	1	1	Fitting .38" Barb x .38" MPT	
3	34768.0001	1	1	Elbow .38" FI x .38" NPT	
4	37421.0001	1	1	Tube Assembly	
5	12757.0000	1	1	Nut, Hex .625"-18	
6	01514.0000	1	1	Lockwasher, Internal Tooth .625"	
7	12756.0000	1	1	Fitting, Bulkhead .38" FI x .625"-18	
8	37761.0000	1	1	Elbow, 90° Swivel (Optional)	
9	20976.0007*	-	1	Tube, Silicone .375" ID x 11.0" (order item 23)	
	20976.0075*	1	-	Tube, Silicone .375" ID x 12.5" (order item 23)	
10	12422.0000	0	1	Clamp, Hose-Snap SNP # 6	
11	12422.0001	5	5	Clamp, Hose-Snap SNP # 10 (2 Additional on CE Models)	
12	12422.0006	1	1	Clamp, Hose-Snap SNP # 8	
13	11630.0001	1	1	Clamp	
14	32098.0000	1	1	Plug	
15	20976.0074*	1	1	Tube, Silicone .375" ID x 20.0" (order item 23)	
16	20976.0009*	-	1	Tube, Silicone .375" ID x 2.25" (order item 23)	
	20976.0062*	1	-	Tube, Silicone .375" ID x 1.75" (order item 23)	
17	38948.0001	1	1	Tee .375" Barb	
18	36233.0000	1	1	Valve, Water Inlet 120V	
	36233.0001	1	1	Valve, Water Inlet 240V	
	32283.0000	2	2	Screw, Pan Head M4 x 6MM	
	43644.0000	-	-	Kit, Valve Rebuild	
19	37297.1001	1	1	Elbow, .375" Flare x .75" FGHT	
20	20976.0068*	1	1	Tube, Silicone .375" ID x 19.0" (order item 23)	
21	20976.0025*	1	1	Tube, Silicone .375" ID x 3.0" (order item 23)	
22	40071.0001	1	1	Check Valve	
The following items are not illustrated					
23	20976.1000	-	-	Tube, Silicone .375" ID x 12.0" (Use as required)	
	20976.1001	-	-	Tube, Silicone .375" ID x 36.0" (Use as required)	
	20976.1002	-	-	Tube, Silicone .375" ID x 120.0" (Use as required)	

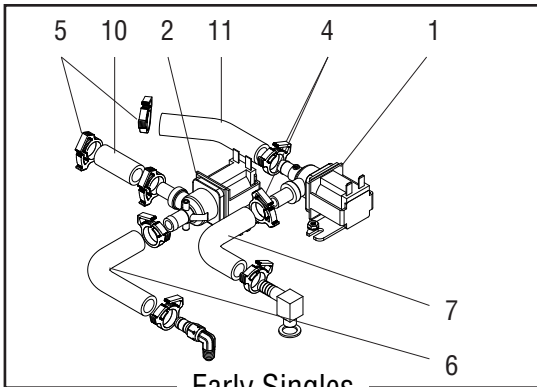
* Indicates the part number listed is for reference only.



Early Twins

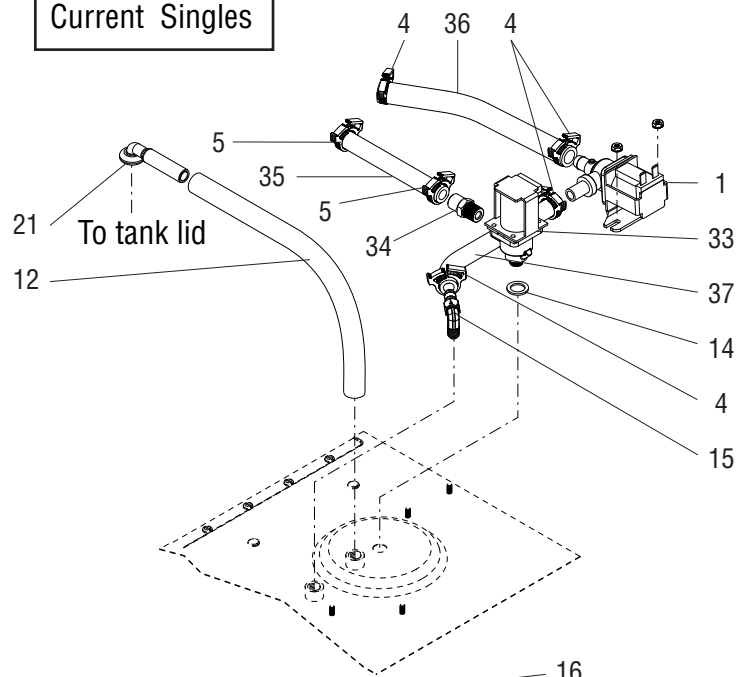


Current Twins

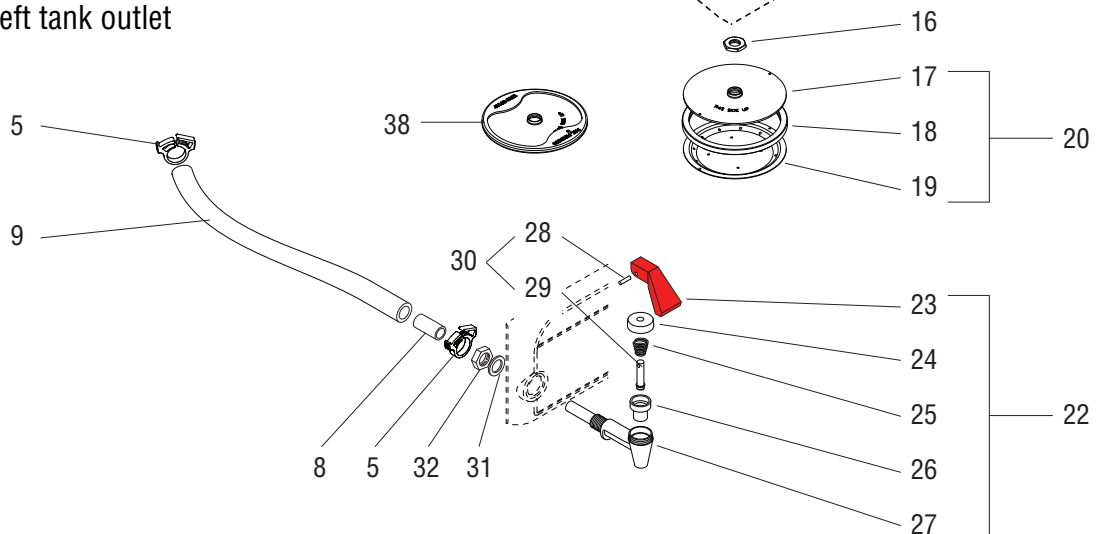


Early Singles

Current Singles



To left tank outlet



* Indicates the part number listed is for reference only.

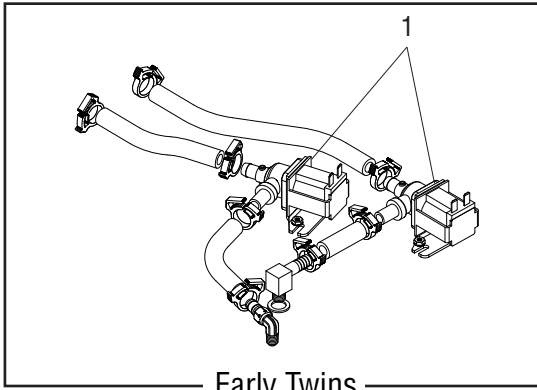
DISPENSE/BYPASS VALVES, SPRAYHEAD, & FAUCET

ITEM	PART NO.	QTY.		DESCRIPTION	
		TWIN	SINGLE		
1	27370.0003	4	1	Valve, Dispense 120V	} Early Models
	27370.0005	4	1	Valve, Dispense 230V	
	27370.0004	-	1	Valve, Dispense 200V	
	00970.0000	4	2	Nut, KEPS #8-32	
2	27370.0000	-	1	Valve, Bypass 120V	} Singles Only
	27370.0002	-	1	Valve, Bypass 230V	
	27370.0001	-	1	Valve, Bypass 200V	
	00970.0000	-	2	Nut, KEPS #8-32	
3	12422.0001	2	1	Clamp, Hose-Snap SNP # 10	
4	12422.0005	8	4	Clamp, Hose-Snap SNP # 12	
5	12422.0009	5	3	Clamp, Hose-Snap SNP # 14	
6	20976.0006*	2	1	Tube .375" ID x 4.5" (Bypass to Elbow) (Order item 39)	
7	20976.0010*	-	1	Tube .375" ID x 3.4" (Bypass to Elbow) (Order item 39)	
	20976.0062*	2	-	Tube .375" ID x 1.75" (Bypass to Elbow) (Order item 39)	
8	41193.0001*	1	1	Tube, Silicone .375" ID X 1.2" LG	} Order item 43
9	32591.0029*	1	-	Tube .50" ID x 15.0" Faucet Early Style Twin Tanks	
	32591.0031*	1	-	Tube .50" ID x 11.25" Faucet Third Style Twin Tanks	
	32591.0034*	-	1	Tube .50" ID x 11.25" Faucet	
10	32591.0010*	-	1	Tube .50" ID x 1.6" (Tank to Bypass)	} Order item 41
	32591.0002*	2	-	Tube .50" ID x 6.0" (Tank to Bypass)	
11	32591.0020*	-	1	Tube .50" ID x 6.0" (Single)	} Order item 41
	32591.0016*	1	-	Tube .50" ID x 9.0" (Left side)	
	32591.0017*	1	-	Tube .50" ID x 9.75" (Right side)	
12	32591.0007*	-	1	Tube .50" ID x 8.75" (Vent)	} Order item 41
	32591.0029*	1	-	Tube .50" ID x 9.75" (Vent) Early Style Tank	
	32591.0025*	1	-	Tube .50" ID x 13.0" (Vent) Third Style Tank & 19.8" Hood	
	32591.0038*	1	-	Tube .50" ID x 17.0" (Vent) Third Style Tank & 21.8" Hood	
13	39149.0001	2	1	Fitting, Sprayhead	
14	00943.0000	2	1	Gasket, Sprayhead Fitting	
15	32648.0000	2	1	Elbow Assy, .125 MPT x.35 Barb	
16	01075.0000	2	1	Nut, Hex .438"-20	
17	35070.0001	2	1	Back, Sprayhead	} 20
18	34868.0000	2	1	Seal	
19	34867.0005	2	1	Sprayhead, 17 hole	
20	35308.1005	2	1	Kit, Sprayhead (Includes items 17 - 19)	
21	38969.0001	2	1	Fitting, 90° Silicone	
22	29075.0000	1	1	Faucet Assy (Includes items 24 - 28)	
23	02861.0003	1	1	Handle, Red w/Warning	
24	02854.0000	1	1	Bonnet	

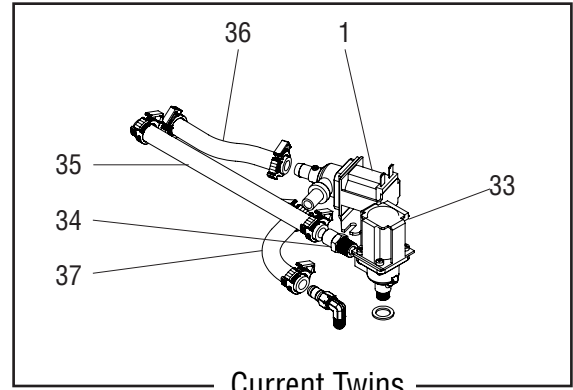
Refer to item 39
for valve repair kit

Continued on next page

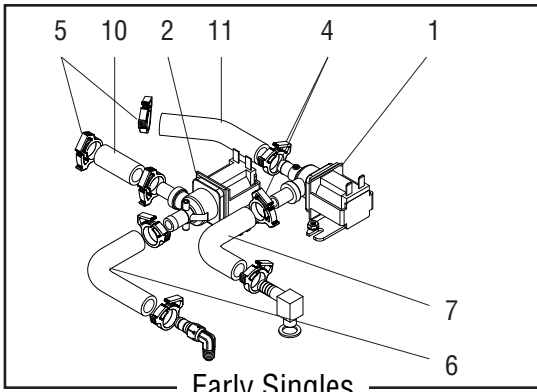
* Indicates the part number listed is for reference only.



Early Twins

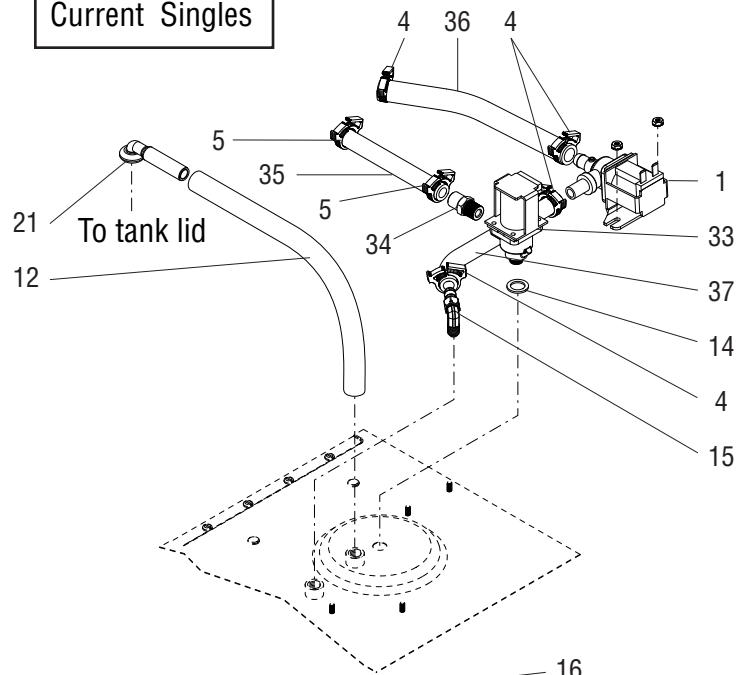


Current Twins

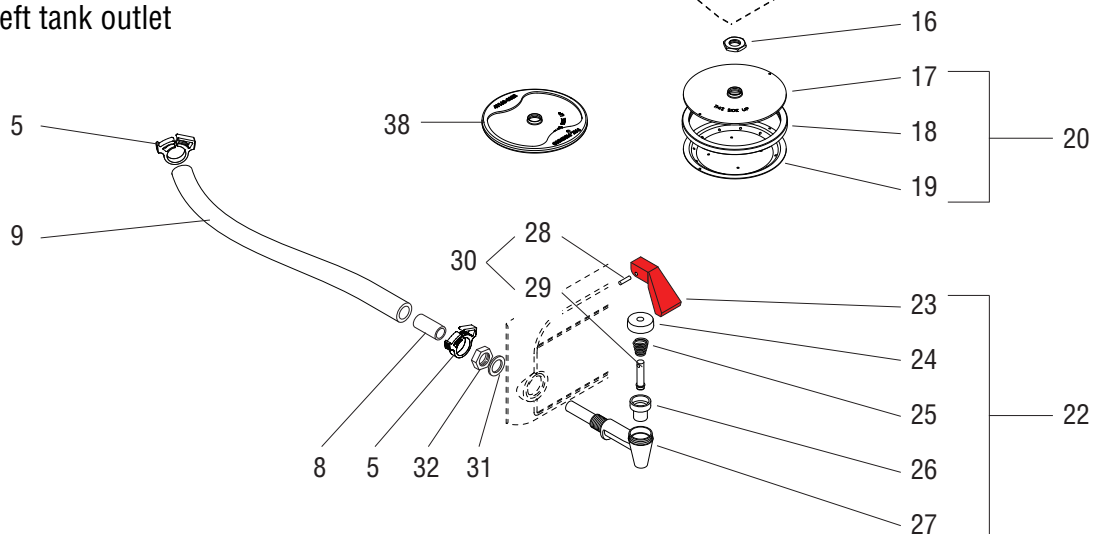


Early Singles

Current Singles



To left tank outlet



* Indicates the part number listed is for reference only.

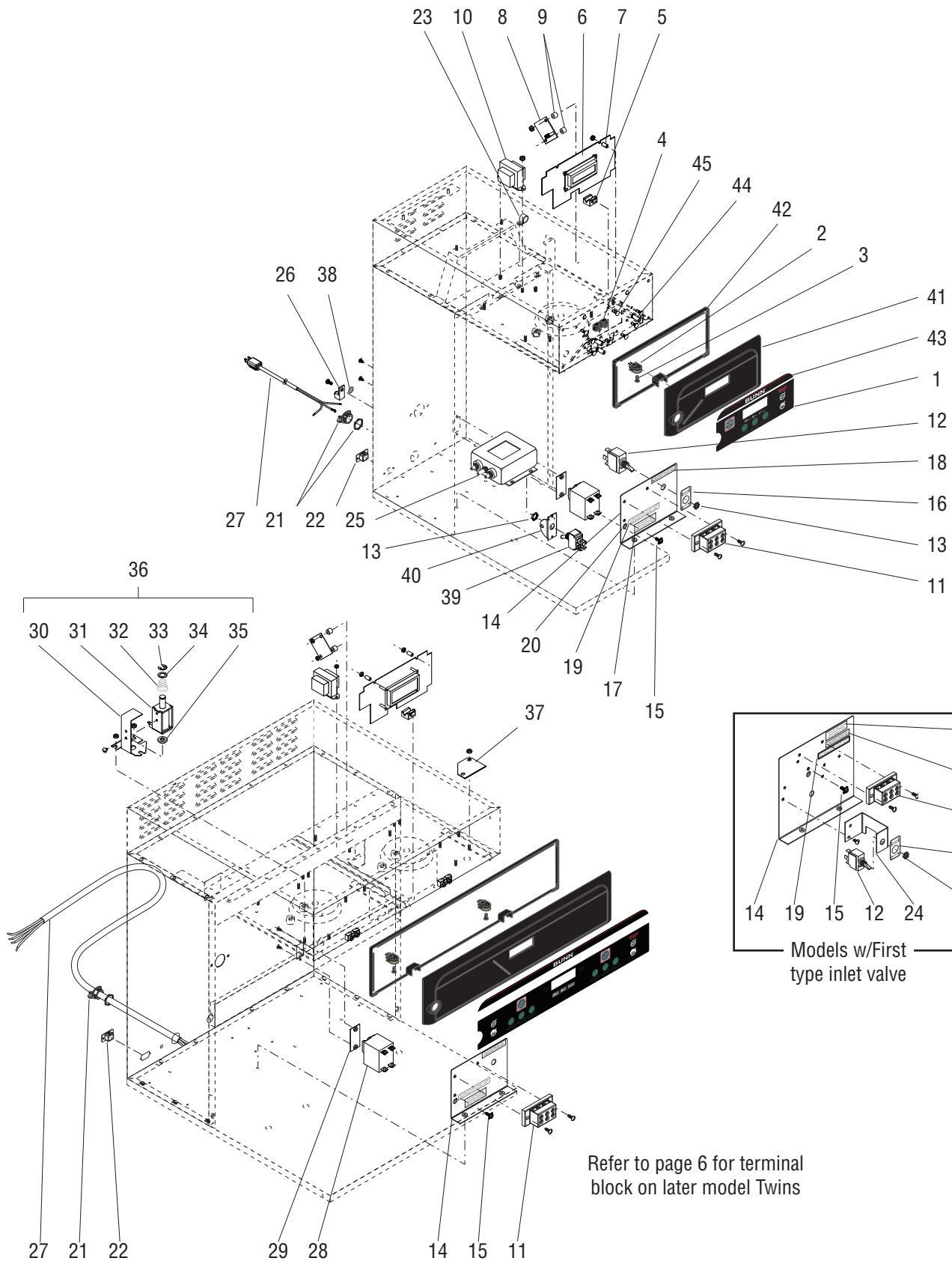
DISPENSE/BYPASS VALVES, SPRAYHEAD, & FAUCET

ITEM	PART NO.	QTY.		DESCRIPTION	
		TWIN	SINGLE		
25	02595.0000	1	1	Spring	
26	02766.0000	1	1	Cup	
27	02856.0005*	1	1	Body (Order item 23)	
28	02858.0000	1	1	Pin, Spring	
29	13054.0000	1	1	Stem	
30	02594.0000	1	1	Faucet Stem w/Pin (Includes 29 & 30)	
31	01544.0000	1	1	Washer, .50" ID x .75" OD	
32	29264.0000	1	1	Nut	
33	26846.0000	2	1	Valve Assembly, Sprayhead 120V	
	26846.0001	2	1	Valve Assembly, Sprayhead 200V	
	26846.0002	2	1	Valve Assembly, Sprayhead 240V	
34	34956.0003	2	-	Fitting, .25 NPTF .550D/.281ID	
	34956.0004	-	1	Fitting, .25 NPTF .550D/.255ID	
35	32591.0044*	-	1	Tube .50" ID x 4.875" (Brew)	Order item 41
	32591.0035*	2	-	Tube .50" ID x 7.25" (Brew)	
36	32591.0020*	-	1	Tube .50" ID x 4.4" (Tank to Bypass) Singles	Order item 41
	32591.0014*	2	-	Tube .50" ID x 3.6" (Tank to Bypass) Right	
	32591.0036*	2	-	Tube .50" ID x 3.0" (Tank to Bypass) Left	
37	20976.0004*	1	-	Tube .375" ID x 8.5" (Bypass to Elbow) Left	Order item 40
	20976.0042*	1	-	Tube .375" ID x 4.0" (Bypass to Elbow) Right	
	20976.0045*	-	1	Tube .375" ID x 6.5" (Bypass to Elbow) Singles	
38	41160.1002	-	-	Sprayhead Assembly, Flex 21 Hole (Optional)	

The following items are not illustrated

39	11517.0008	-	-	Repair Kit, Dispense Valve (Includes Plunger, Spring and Diaphragm)
40	20976.1000	-	-	Tube .375" ID x 1 Foot (Use as required)
	20976.1001	-	-	Tube .375" ID x 3 Feet (Use as required)
	20976.1002	-	-	Tube .375" ID x 10 Feet (Use as required)
	20976.1004	-	-	Tube .375" ID x 250 Feet (Use as required)
41	32591.1001	-	-	Tube .50" ID x 1 Foot (Use as required)
	32591.1002	-	-	Tube .50" ID x 3 Feet (Use as required)
	32591.1003	-	-	Tube .50" ID x 10 Feet (Use as required)
	32591.1004	-	-	Tube .50" ID x 250 Feet (Use as required)
42	41193.1000	-	-	Tube .375" ID x 10 Feet (Use as required)
	41193.1001	-	-	Tube .375" ID x 3 Feet (Use as required)
	41193.1002	-	-	Tube .375" ID x 1 Foot (Use as required)
	41193.1004	-	-	Tube .375" ID x 250 Feet (Use as required)
43	41499.1007	-	1	Faucet Tube Kit, ICB (Includes Items 5, 8, 9)
	41499.1008	1	-	Faucet Tube Kit, ICB Twin (Includes Items 5, 8, 9)

* Indicates the part number listed is for reference only.



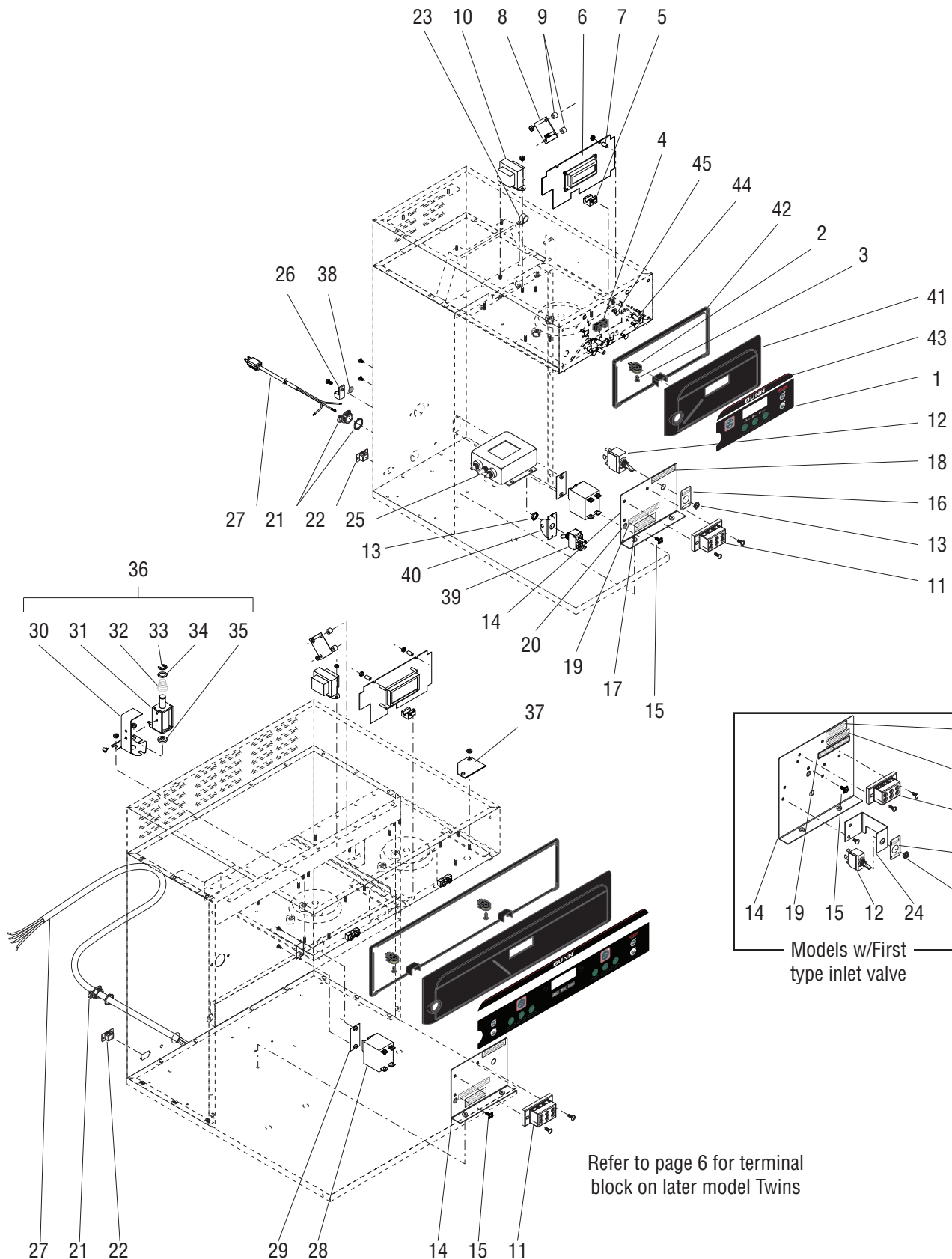
* Indicates the part number listed is for reference only.

ELECTRICAL AND OPERATING CONTROLS

ITEM	PART NO.	QTY.		DESCRIPTION	
		TWIN	SINGLE		
1	36367.0000	-	1	Membrane Switch	
	37875.0000	1	-	Membrane Switch	
2	32572.1000	2	1	Sensing Coil	
3	35956.0000	2	1	Fastener	
4	36587.0000	2	1	Plug	
5	36366.0000	2	1	Mount	
6	36373.1010	-	1	Control Board (Single) (RoHS)	
	37789.1012	1	-	Control Board (Twin)	
	36373.1014	-	1	Control Board (w/Funnel Lock) (RoHS)	
	00973.0000	2		Nut, Keps #6-32	
7	01533.0011	2	2	Spacer	
8	38712.1000	1	1	Memory Circuit Board (RoHS)	} Early Models Only
	00970.0000	2	2	Nut, Keps #8-32	
9	01533.0002	2	2	Spacer	
10	34307.1001	1	1	Transformer 120V	
	34307.1002	1	1	Transformer 230V	
	34307.1003	1	1	Transformer 200V	
	00970.0000	2	2	Nut, Keps #8-32	
11	07038.0000	1	1	Terminal Block 120V/240V	
	01106.0003	1	1	Terminal Block 230V	
	01106.0001	-	1	Terminal Block 200V	
	01317.0000	2	2	Screw, Truss Head #8-32 x .50"	
12	23522.1001	-	1	Switch, Toggle (ICB-DV models only)	
13	23696.0000	-	1	Nut	
14	36420.1001*	-	1	Bracket (Single)	} (First type Inlet) Order new style bracket & valve
	36420.1002*	1	-	Bracket (Twin)	
	38344.1000	-	1	Bracket W/Decals (ICB-DV models)	
	38344.1001	1	1	Bracket W/Decals (ICB & Twin models)	
	02308.0000	2	2	Screw, Pan Head #8-32 x .38"	
15	01309.0000	1	1	Screw, Grounding #10-31 x .50" (Brewers prior to July 5, 2005)	
	37804.0000	1	1	Screw, Grounding #8-32 x .50" (Brewers July 5, 2005 and after)	
16	34056.0001	-	1	Decal, Voltage Selection (ICB-DV models only)	
17	00985.0000	1	1	Decal, Individual Circuit Info	
18	00870.0000*	1	1	Decal, Use Copper Wire Only	
19	12394.0001*	1	-	Decal, Supply Connection	
	12394.0002*	-	1	Decal, Supply Connection	
20	00824.0000	1	1	Decal, Ground	
21	01685.0000	-	1	Cord Connector	
	01590.0000	1	-	Cord Connector	
22	36398.0000	1	1	Hole Plug, DB-9 (Early Models Only)	

Continued on next page

* Indicates the part number listed is for reference only.



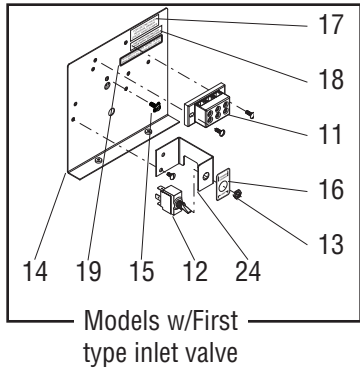
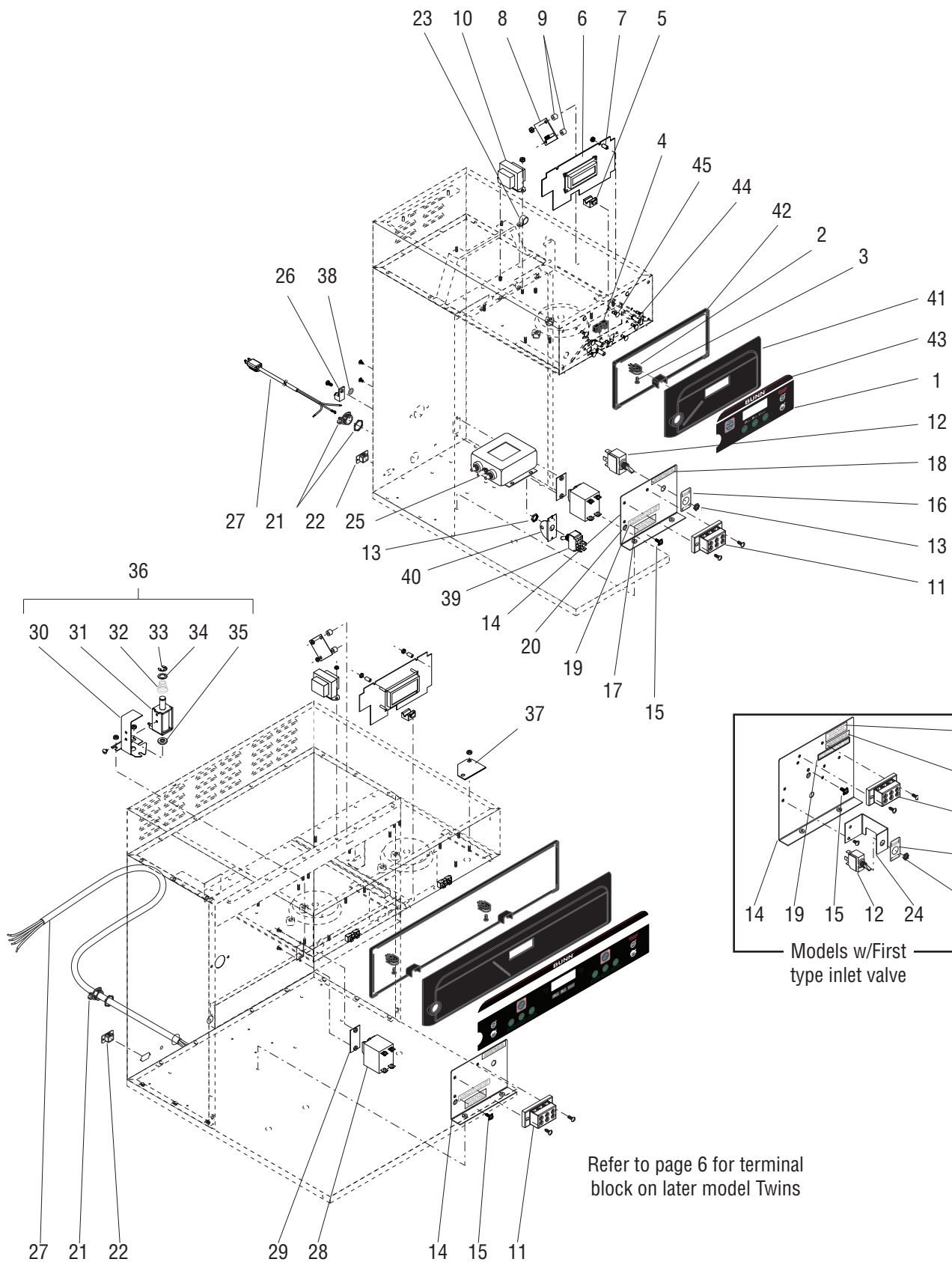
* Indicates the part number listed is for reference only.

ELECTRICAL AND OPERATING CONTROLS

ITEM	PART NO.	QTY.		DESCRIPTION	
		TWIN	SINGLE		
23	00603.0000	-	1	Clamp	
24	37754.1000	-	1	Bracket W/Decal (ICB-DV models with first type Inlet Valve)	
	01315.0000	-	2	Screw, Truss Head #8-32 x .38"	
25	29446.0003	1	1	EMI Filter (200V & 230V CE models only)	
	01347.0000	4	4	Screw, Truss Head #6-32 x .38"	
26	27705.0000	1	1	Terminal Lug (200V & 230V CE models only)	
	02308.0000	-	1	Screw, Pan Head #8-32 x .38"	
27	20630.0005	-	1	Power Cord (ICB-DV models only)	
	06064.0000	-	1	Decal, Cord Warning (ICB-DV models only)	
	32657.0001	1	-	Power Cord, 10/4 w/o Plug (Twin only)	
	33529.0004	-	1	Cord, Pwr 16A/230V Euro Plug	
28	38894.0001	1	1	Switch, Rocker - Main On/Off (New Models w/o Power Cord)	
	01308.0003	2	2	Screw, Truss Head #6-32 x .25"	
29	38820.0000	1	1	Plate, Switch Cover	
	01308.0002	2	2	Screw SST #6-32 x .25"	
30	38280.0000	2	-	Bracket, Solenoid	} Models with Funnel Locks
	00970.0000	4	-	Nut, Keps #8-32	
31	35955.0000	2	1	Coil, Solenoid 120V	
	35955.0002	-	1	Coil, Solenoid 200V	
	33613.0000	4	2	Screw, Truss Head #8-32 x .25"	
	01519.0000	4	2	Lockwasher, Split #8	
32	39982.0000	1	1	Spring	
33	39981.0000	2	2	Retaining Ring	
34	-----	1	1	Washer, Nylon .44" ID x .68" OD	
35	35953.0000	2	2	Guide, Pin	
36	35952.1003	2	-	Solenoid Assembly 120V (Includes 31-36)	
	35952.1004	-	1	Solenoid Assembly 200V (Includes 31-36)	
37	32649.0001	2	-	Cover, Funnel Lock	} Models without Funnel Locks
	00970.0000	4	-	Nut, Keps #8-32	
38	00824.0001	1	1	Decal, Equipotentiality (CE Only)	
39	40763.0001	-	1	Switch, Toggle	
40	25102.0000	-	1	Bracket, Switch	
41	37827.1001	1	-	Bezel, Control Panel (Includes 8, 9)	
	36359.1001	-	1	Bezel, Control Panel (Includes 8, 9)	
	37827.1101	1	-	Bezel Kit (Includes Membrane, Decal, Gasket, & Sensing Coil-Assembled)	
	36359.1101	-	1	Bezel Kit (Includes Membrane, Decal, Gasket, & Sensing Coil-Assembled)	
	02308.0000	8	4	Screw, Pan Head #8-32 x .375"	
	01502.0000	8	4	Lockwasher, Split #10	

Continued on next page

* Indicates the part number listed is for reference only.



Refer to page 6 for terminal block on later model Twins

* Indicates the part number listed is for reference only.

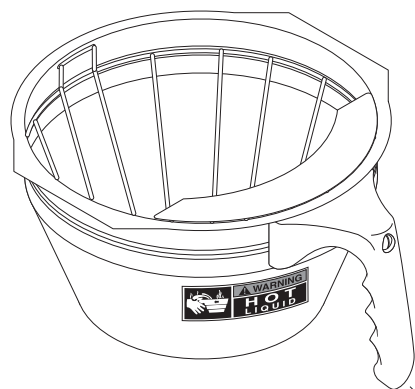
ELECTRICAL AND OPERATING CONTROLS

ITEM	PART NO.	QTY.		DESCRIPTION
		TWIN	SINGLE	
42	36364.0000	-	1	Gasket
	37874.0000	1	-	Gasket
43	37877.0000	1	-	Decal, Top
	36368.0000	-	1	Decal, Top
44	32530.0001	3	3	Spacer
45	42234.0000	8	8	Standoff

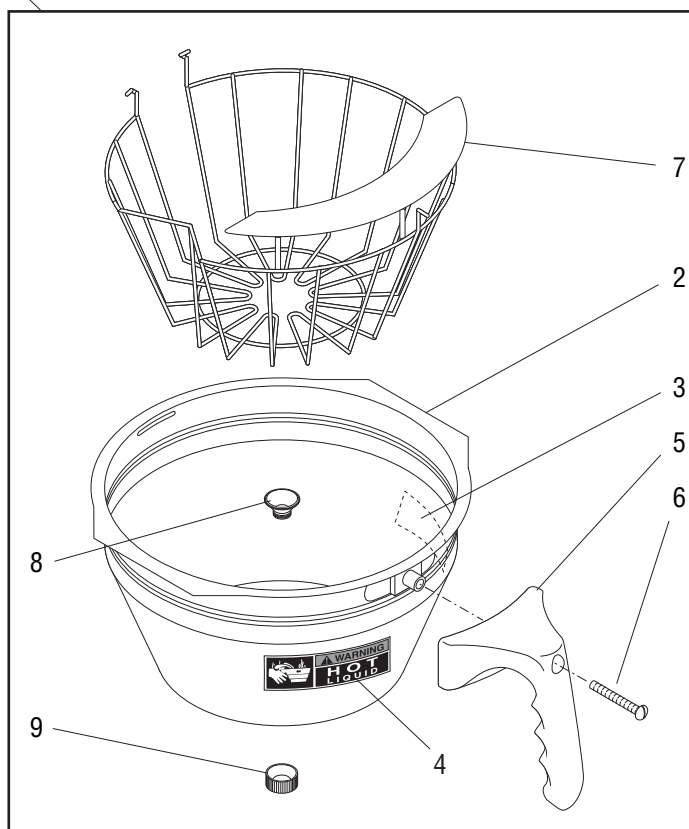
The following items are not illustrated

46	36677.0001*	-	1	Wiring Harness, Main DV (No Switch) NO LONGER AVAILABLE
	36677.0003	-	1	Wiring Harness, 230V & 200V Main (ICB Single)
	36677.0004*	-	1	Wiring Harness, Main ICB (DV/w Rocker Switch) NO LONGER AVAILABLE
	36677.0005	-	1	Wiring Harness, Main ICB Tall (DV/w Rocker Sw)
	36677.0007	-	1	Wiring Harness, 230V & 200V Main (ICB Tall Single)
	36677.0008	-	1	Wiring Harness, Main ICB Tall DV/w Toggle Switch)
	36677.0009	-	1	Wiring Harness, Main ICB Tall DV/w Toggle Switch)
	38040.0001	1	-	Wiring Harness, Main (Tall Twins w/Rocker Switch) (21" Hood)
	38040.0002	1	-	Wiring Harness, Main (Standard Twins w/Rocker Switch) (19" Hood)
	38040.0003	1	-	Wiring Harness, Main (230V Twins) CE (21" Hood)
	38040.0004	1	-	Wiring Harness, Main (Tall Twins w/Rocker Switch) (19" Hood)
	38040.0005	1	-	Wiring Harness, Main (Standard Twins w/Rocker Switch) (21" Hood)
	38040.0006	1	-	Wiring Harness, Main (230V Twins) CE (19" Hood)
	47	37494.0000	-	1
37494.0001		1	-	Wiring Harness, Liquid Level (21" Hood)
37494.0002		1	-	Wiring Harness, Liquid Level (19" Hood)
48	36676.0001	1	1	Wiring Harness, Memory Board
49	36675.0000	1	1	Wiring Harness, Sensing Coil (Left & Single)
	36675.0001	1	-	Wiring Harness, Sensing Coil (Right Side Only)
50	34707.0006	1	1	Wiring Harness, EMI Filter (200V & 230V CE models only)
51	40081.0002	-	1	Wiring Harness, Toggle Switch to Term Blk (13')
52	43936.0000	1	-	Kit, Replacement Heater Wiring Harness

* Indicates the part number listed is for reference only.



1



* Indicates the part number listed is for reference only.

FUNNELS

ITEM	PART NO.	QTY. TWIN	QTY. SINGLE	DESCRIPTION
1	32643.0000	2	1	Funnel Assy, SST (Includes Items 2 thru 9)
2	24462.0002	2	1	Funnel Body W/Decals (Includes items 3 & 4)
3	03408.0004	2	1	Decal, Caution-Remove Funnel
4	03409.0004	2	1	Decal, Caution-Hot Liquid
5	32595.0000	2	1	Handle, Funnel-Black
6	12499.0002	2	1	Screw, Round Head BLK .25" - 20 x 1.50"
7	33089.0000	2	1	Filter Basket w/Splash Guard
8	32139.0000	2	1	Insert, Funnel Tip - Male (Refer to item 10)
9	32140.0000	2	1	Insert, Funnel Tip - Female (Refer to item 10)
10	01031.0001	-	-	Funnel Tip Kit (Includes items 8 & 9)

NUMERICAL INDEX

PART NO.	PAGE NO.	PART NO.	PAGE NO.	PART NO.	PAGE NO.	PART NO.	PAGE NO.
00486.0003.....	11	02332.0005.....	9	25151.0003.....	5	33613.0000.....	21
00603.0000.....	21	02594.0000.....	17	26846.0000.....	17	33801.0001.....	11
00656.0000.....	7	02595.0000.....	17	26846.0001.....	17	34056.0001.....	19
00658.0000.....	7	02755.1001.....	11	26846.0002.....	17	34072.0000.....	7
00824.0000.....	19	02766.0000.....	17	27370.0000.....	15	34307.1001.....	19
00824.0001.....	21	02854.0000.....	15	27370.0001.....	15	34307.1002.....	19
00870.0000.....	19	02856.0005.....	17	27370.0002.....	15	34307.1003.....	19
00908.0000.....	11	02858.0000.....	17	27370.0003.....	15	34707.0006.....	23
00908.0000.....	11	02861.0003.....	15	27370.0004.....	15	34768.0001.....	13
00908.0000.....	11	03408.0004.....	25	27370.0005.....	15	34867.0005.....	15
00942.0000.....	11	03409.0004.....	25	27705.0000.....	21	34868.0000.....	15
00943.0000.....	11	06064.0000.....	21	29075.0000.....	15	34956.0003.....	17
00943.0000.....	15	07038.0000.....	7,19	29264.0000.....	17	34956.0004.....	17
00970.0000.....	15	07412.1002.....	11	29329.1000.....	11	35070.0001.....	15
00970.0000.....	15	11517.0008.....	17	29446.0003.....	21	35094.0001.....	13
00970.0000.....	19	11630.0001.....	13	29485.1001.....	11	35094.0002.....	13
00970.0000.....	19	12394.0001.....	19	29485.1002.....	11	35094.0004.....	13
00970.0000.....	19	12394.0002.....	19	29485.1003.....	11	35308.1005.....	15
00970.0000.....	21	12422.0000.....	13	29669.1000.....	11	35937.0000.....	11
00970.0000.....	21	12422.0001.....	13	29710.0011.....	7	35937.0002.....	11
00973.0000.....	19	12422.0005.....	15	29710.7011.....	7	35952.1003.....	21
00985.0000.....	19	12422.0006.....	13	32098.0000.....	13	35952.1004.....	21
00986.0000.....	7	12422.0009.....	15	32139.0000.....	25	35953.0000.....	21
01031.0001.....	25	12499.0002.....	25	32140.0000.....	25	35955.0000.....	21
01075.0000.....	15	12756.0000.....	13	32283.0000.....	13	35955.0002.....	21
01106.0001.....	19	12757.0000.....	13	32283.0000.....	13	35956.0000.....	19
01106.0003.....	19	13054.0000.....	17	32530.0001.....	23	36233.0000.....	13
01308.0002.....	21	20203.0100.....	11	32572.1000.....	19	36233.0001.....	13
01308.0002.....	5	20630.0005.....	21	32591.0002.....	15	36355.1006.....	5
01308.0002.....	9	20942.1000.....	11	32591.0007.....	15	36355.1013.....	5
01308.0003.....	21	20976.0004.....	17	32591.0010.....	15	36359.1001.....	21
01308.0003.....	5	20976.0006.....	15	32591.0014.....	17	36359.1101.....	21
01309.0000.....	19	20976.0007.....	13	32591.0016.....	15	36361.0000.....	9
01311.0001.....	7	20976.0009.....	13	32591.0017.....	15	36364.0000.....	23
01311.0004.....	7	20976.0010.....	15	32591.0020.....	15,17	36366.0000.....	19
01315.0000.....	21	20976.0025.....	13	32591.0025.....	15	36367.0000.....	19
01317.0000.....	19	20976.0042.....	17	32591.0029.....	15	36368.0000.....	23
01317.0000.....	7	20976.0045.....	17	32591.0031.....	15	36373.1010.....	19
01317.0003.....	5	20976.0062.....	13	32591.0034.....	15	36373.1014.....	19
01347.0000.....	21	20976.0062.....	15	32591.0035.....	17	36398.0000.....	7,19
01501.0000.....	11	20976.0068.....	13	32591.0036.....	17	36420.1001.....	19
01502.0000.....	21	20976.0074.....	13	32591.0038.....	15	36420.1002.....	19
01503.0000.....	9	20976.0075.....	13	32591.0044.....	17	36587.0000.....	19
01511.0000.....	11	20976.1000.....	13,17	32591.1001.....	17	36604.0000.....	11
01511.0000.....	11	20976.1001.....	13,17	32591.1002.....	17	36605.0000.....	11
01514.0000.....	13	20976.1002.....	13,17	32591.1003.....	17	36606.0001.....	11
01519.0000.....	21	20976.1004.....	17	32591.1004.....	17	36608.0001.....	5
01522.0000.....	11	23522.1001.....	19	32595.0000.....	25	36635.0002.....	9
01533.0002.....	19	23696.0000.....	19	32643.0000.....	25	36637.1004.....	7
01533.0011.....	19	24376.0001.....	13	32648.0000.....	15	36637.1005.....	7
01544.0000.....	17	24462.0002.....	25	32649.0001.....	21	36637.1006.....	7
01590.0000.....	19	25102.0000.....	21	32657.0001.....	21	36637.1007.....	7
01685.0000.....	19	25137.0001.....	9	33089.0000.....	25	36639.0005.....	5
02308.0000.....	5,7,9	25151.0002.....	5	33529.0004.....	21	36639.0006.....	5
02308.0000.....	19,21						

36639.0007.....	5	37920.0003.....	5	42234.0000.....	23
36643.1000.....	7	37920.0006.....	5	43644.0000.....	13
36643.1001.....	7	37920.0007.....	5	43936.0000.....	23
36643.1002.....	7	37926.0000.....	9		
36675.0000.....	23	37951.1004.....	7		
36675.0001.....	23	37951.1005.....	7		
36676.0001.....	23	37951.1105.....	7		
36677.0001.....	23	37951.1106.....	7		
36677.0003.....	23	37953.0002.....	7		
36677.0004.....	23	37967.0000.....	5		
36677.0005.....	23	38040.0001.....	23		
36677.0007.....	23	38040.0002.....	23		
36677.0008.....	23	38040.0003.....	23		
36677.0009.....	23	38040.0004.....	23		
37274.0001.....	9	38040.0005.....	23		
37297.1001.....	13	38040.0006.....	23		
37298.1003.....	11	38114.0000.....	11		
37298.1004.....	11	38125.0000.....	7		
37298.1005.....	11	38280.0000.....	21		
37299.0000.....	7	38344.1000.....	19		
37299.0001.....	5	38344.1001.....	19		
37299.0004.....	5	38712.1000.....	19		
37421.0001.....	13	38820.0000.....	21		
37494.0000.....	23	38894.0001.....	21		
37494.0001.....	23	38948.0001.....	13		
37494.0002.....	23	38969.0001.....	11,15		
37754.1000.....	21	39085.1001.....	11		
37755.1000.....	11	39149.0001.....	15		
37755.1001.....	11	39175.0000.....	7		
37755.1002.....	11	39450.1000.....	7		
37755.1003.....	11	39453.1000.....	7		
37761.0000.....	13	39453.1001.....	7		
37776.0000.....	11	39455.1000.....	7		
37776.0005.....	11	39455.1002.....	7		
37782.0001.....	11	39541.1000.....	7		
37782.0003.....	11	39541.1002.....	7		
37782.0004.....	11	39594.0000.....	9		
37789.1012.....	19	39594.0002.....	9		
37804.0000.....	7,19	39596.0001.....	7		
37827.1001.....	21	39599.0000.....	7		
37827.1101.....	21	39615.0000.....	9		
37865.1000.....	7	39981.0000.....	21		
37865.1001.....	7	39982.0000.....	21		
37865.1002.....	7	40071.0001.....	13		
37865.1003.....	7	40081.0002.....	23		
37866.0001.....	9	40763.0001.....	21		
37866.0002.....	9	41160.1002.....	17		
37870.1000.....	5	41193.0001.....	15		
37870.1004.....	5	41193.1000.....	17		
37874.0000.....	23	41193.1001.....	17		
37875.0000.....	19	41193.1002.....	17		
37877.0000.....	23	41193.1004.....	17		
37881.0000.....	5,7	41499.1007.....	17		
37920.0002.....	5	41499.1008.....	17		