

BUNN®

JDF-4S

Silver Series®



ILLUSTRATED PARTS CATALOG

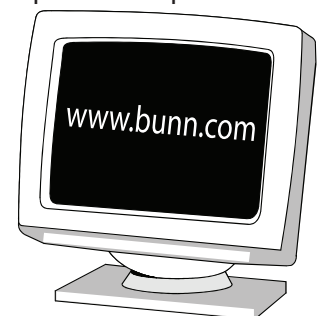
Designs, materials, weights, specifications, and dimensions for equipment or replacement parts are subject to change without notice.

BUNN-O-MATIC CORPORATION

POST OFFICE BOX 3227

SPRINGFIELD, ILLINOIS 62708-3227

PHONE: (217) 529-6601 FAX: (217) 529-6644



BUNN-O-MATIC COMMERCIAL PRODUCT WARRANTY

Bunn-O-Matic Corp. ("BUNN") warrants equipment manufactured by it as follows:

- 1) Airpots, thermal carafes, decanters, GPR servers, iced tea/coffee dispensers, MCP/MCA pod brewers thermal servers and Thermofresh servers (mechanical and digital)- 1 year parts and 1 year labor.
- 2) All other equipment - 2 years parts and 1 year labor plus added warranties as specified below:
 - a) Electronic circuit and/or control boards - parts and labor for 3 years.
 - b) Compressors on refrigeration equipment - 5 years parts and 1 year labor.
 - c) Grinding burrs on coffee grinding equipment to grind coffee to meet original factory screen sieve analysis - parts and labor for 4 years or 40,000 pounds of coffee, whichever comes first.

These warranty periods run from the date of installation BUNN warrants that the equipment manufactured by it will be commercially free of defects in material and workmanship existing at the time of manufacture and appearing within the applicable warranty period. This warranty does not apply to any equipment, component or part that was not manufactured by BUNN or that, in BUNN's judgment, has been affected by misuse, neglect, alteration, improper installation or operation, improper maintenance or repair, non periodic cleaning and descaling, equipment failures related to poor water quality, damage or casualty. In addition, the warranty does not apply to replacement of items subject to normal use including but not limited to user replaceable parts such as seals and gaskets. This warranty is conditioned on the Buyer 1) giving BUNN prompt notice of any claim to be made under this warranty by telephone at (217) 529-6601 or by writing to Post Office Box 3227, Springfield, Illinois 62708-3227; 2) if requested by BUNN, shipping the defective equipment prepaid to an authorized BUNN service location; and 3) receiving prior authorization from BUNN that the defective equipment is under warranty.

THE FOREGOING WARRANTY IS EXCLUSIVE AND IS IN LIEU OF ANY OTHER WARRANTY, WRITTEN OR ORAL, EXPRESS OR IMPLIED, INCLUDING, BUT NOT LIMITED TO, ANY IMPLIED WARRANTY OF EITHER MERCHANTABILITY OR FITNESS FOR A PARTICULAR PURPOSE. The agents, dealers or employees of BUNN are not authorized to make modifications to this warranty or to make additional warranties that are binding on BUNN. Accordingly, statements by such individuals, whether oral or written, do not constitute warranties and should not be relied upon.

If BUNN determines in its sole discretion that the equipment does not conform to the warranty, BUNN, at its exclusive option while the equipment is under warranty, shall either 1) provide at no charge replacement parts and/or labor (during the applicable parts and labor warranty periods specified above) to repair the defective components, provided that this repair is done by a BUNN Authorized Service Representative; or 2) shall replace the equipment or refund the purchase price for the equipment.

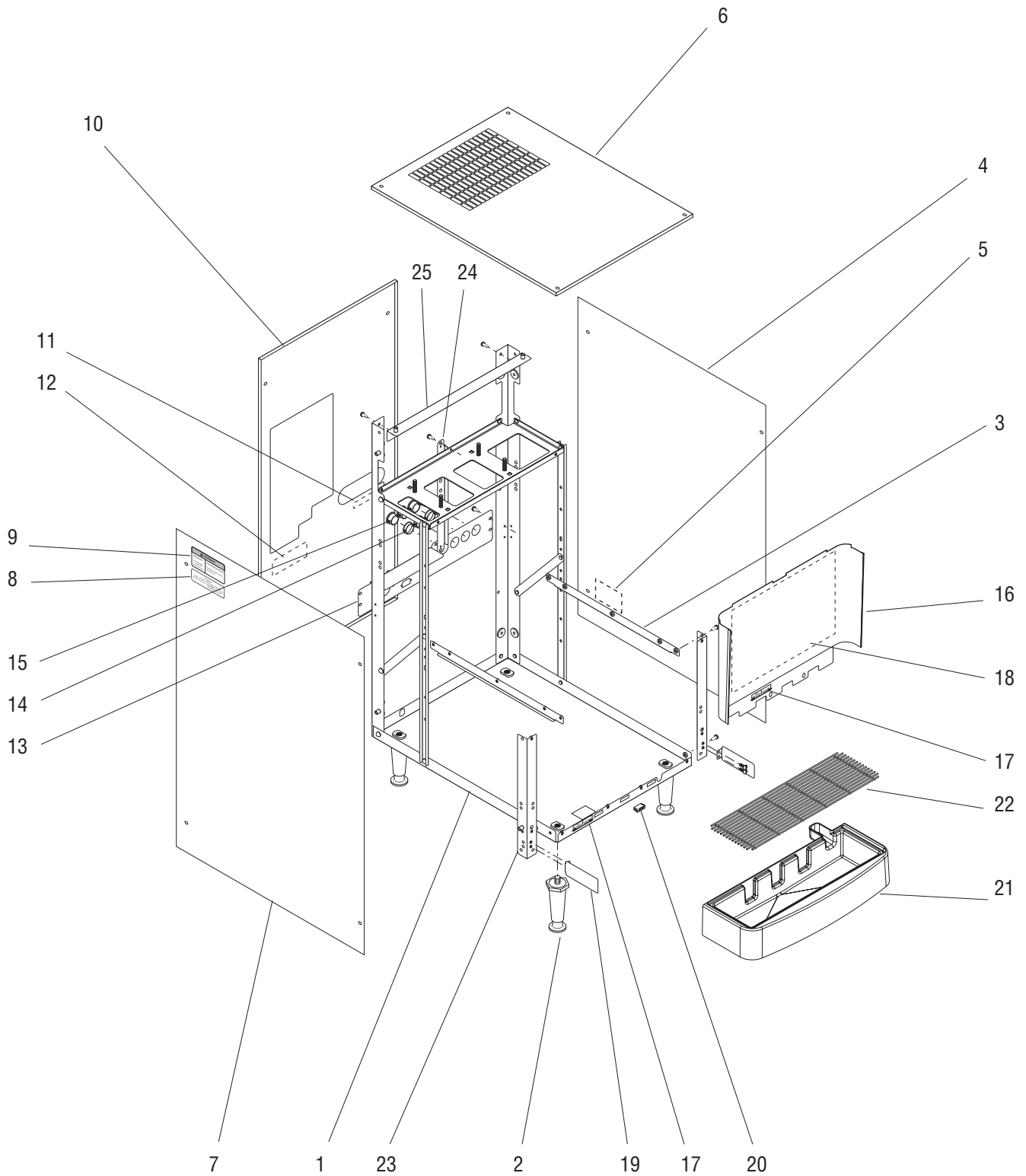
THE BUYER'S REMEDY AGAINST BUNN FOR THE BREACH OF ANY OBLIGATION ARISING OUT OF THE SALE OF THIS EQUIPMENT, WHETHER DERIVED FROM WARRANTY OR OTHERWISE, SHALL BE LIMITED, AT BUNN'S SOLE OPTION AS SPECIFIED HEREIN, TO REPAIR, REPLACEMENT OR REFUND.

In no event shall BUNN be liable for any other damage or loss, including, but not limited to, lost profits, lost sales, loss of use of equipment, claims of Buyer's customers, cost of capital, cost of down time, cost of substitute equipment, facilities or services, or any other special, incidental or consequential damages.

392, AutoPOD, AXIOM, BrewLOGIC, BrewMETER, Brew Better Not Bitter, BrewWISE, BrewWIZARD, BUNN Espresso, BUNN Family Gourmet, BUNN Gourmet, BUNN Pour-O-Matic, BUNN, BUNN with the stylized red line, BUNNlink, Bunn-O-Matic, Bunn-O-Matic, BUNNserve, BUNNSERVE with the stylized wrench design, Cool Froth, DBC, Dr. Brew stylized Dr. design, Dual, Easy Pour, EasyClear, EasyGard, FlavorGard, Gourmet Ice, Gourmet Juice, High Intensity, iMIX, Infusion Series, Intellisteam, My Café, Phase Brew, PowerLogic, Quality Beverage Equipment Worldwide, Respect Earth, Respect Earth with the stylized leaf and coffee cherry design, Safety-Fresh, savemycoffee.com, Scale-Pro, Silver Series, Single, Smart Funnel, Smart Hopper, SmartWAVE, Soft Heat, SplashGard, The Mark of Quality in Beverage Equipment Worldwide, ThermoFresh, Titan, trifacta, Velocity Brew, A Partner You Can Count On, Air Brew, Air Infusion, Beverage Bar Creator, Beverage Profit Calculator, Brew better, not bitter., BUNNSource, Coffee At Its Best, Cyclonic Heating System, Daypart, Digital Brewer Control, Nothing Brews Like a BUNN, Pouring Profits, Signature Series, Tea At Its Best, The Horizontal Red Line, Ultra are either trademarks or registered trademarks of Bunn-O-Matic Corporation.

TABLE OF CONTENTS

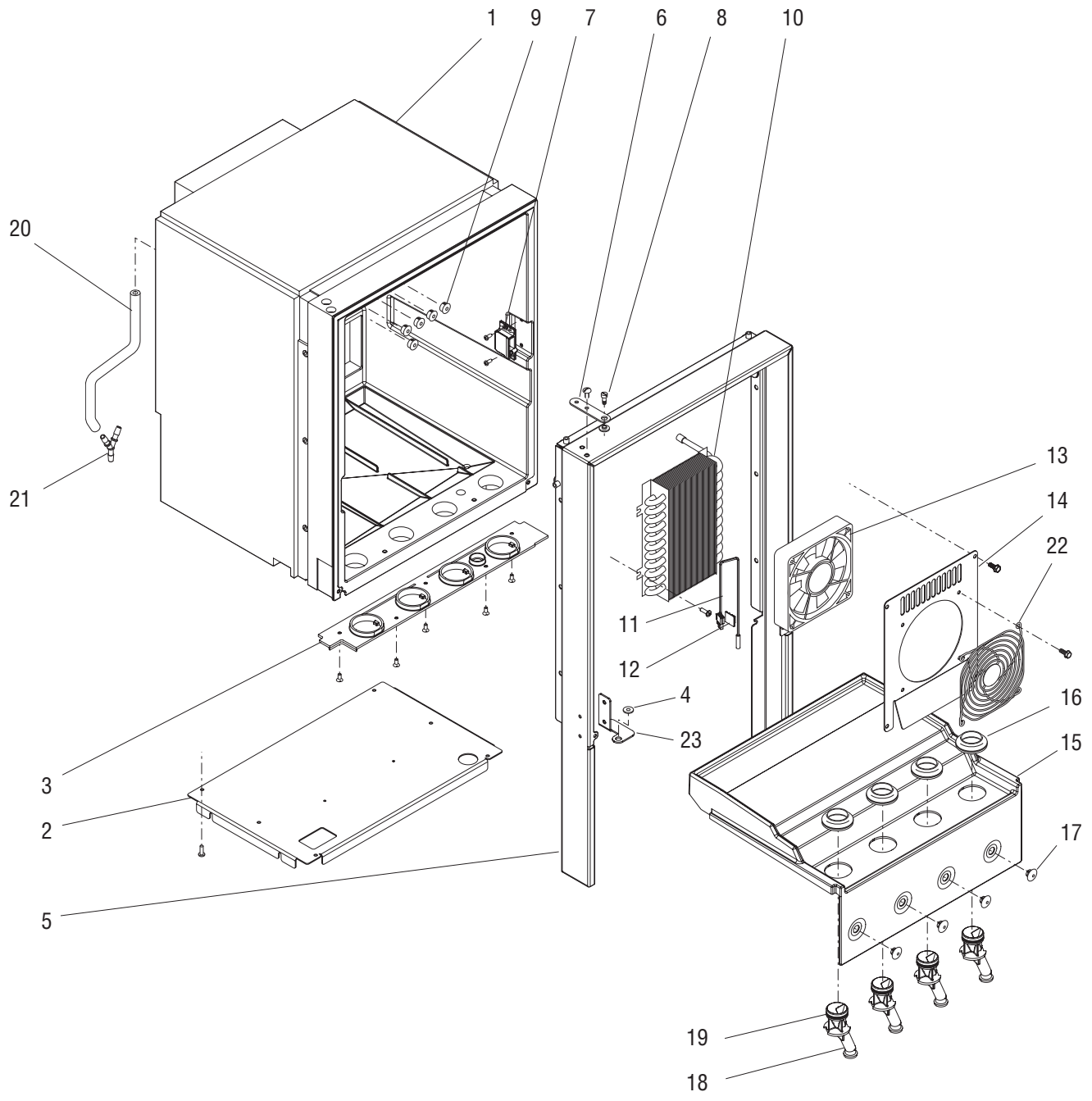
Main Frame & Covers.....	4
Upper Cabinet & Panels.....	6
Refrigeration Components.....	8,10
Compressor Components.....	12,14
Fan Assembly	16
Water Tank Assy.....	18
Circulation Pump & Lines.....	22
Product Coil & Lines	24
Dispense Platform Assy	26
Dispense Valve Assy.....	28
Plain Water Manifold	30
Door Assy - Unlited	32
Door Assy - Lited w/Mechanical Switches.....	34
Door Assy - Lited w/Membrane Switches.....	36
Electrical Components.....	38
Refillable Container Assy.....	42
Numerical Index	44



MAIN FRAME & COVERS

ITEM	PART NO.	QTY.	DESCRIPTION
1	45705.0002*	1	Base Frame Assy
2	26528.0000	4	Leg
	03996.0000	4	Pad, Non-skid
3	38654.0000	2	Bracket, Side
	02308.0000	4	Screw, Pan Head #8-32 x .38"
4	39491.1002	1	Panel w/Decals, Right (Includes item 5)
	02331.0001	4	Screw, Truss Head, Blk #10-32 x .38"
	01512.0000	1	Lockwasher, Ext.-tooth #10
5	00986.7000	1	Decal, Warning - Electrical
6	39416.1001	1	Panel, Top
	02331.0001	4	Screw, Truss Head, Blk #10-32 x .38"
	01512.0000	1	Lockwasher, Ext.-tooth #10
7	39491.1001	1	Panel w/Decals, Left (Includes items 8 & 9)
	02331.0001	4	Screw, Truss Head, Blk #10-32 x .38"
	01512.0000	1	Lockwasher, Ext.-tooth #10
8	33461.0000	1	Decal, Refrigerant Charge
9	27442.7000	1	Decal, Warning - Moving Parts
10	39415.1003	1	Panel w/Decals, Rear (Includes items 11,12)(Models with Velcro mounted Air Filter)
	42479.1001	1	Panel w/Decals, Rear (Includes items 11, 12)(Models with Frame mounted Air Filter)
	02331.0001	4	Screw, Truss Head, Blk #10-32 x .38"
	01512.0000	1	Lockwasher, Ext.-tooth #10
11	33458.0001	1	Decal, Refrigeration ON - OFF
12	00656.0001	1	Decal, Comply To Plumbing Code
13	39387.0000	1	Bracket
	39387.0003	1	Bracket (Models with Front Mounted Refrigeration Switch)
	02335.0001	4	Screw, Hex Crimptite #8 x .38"
14	27354.0000	4	Bushing
15	00668.0000	4	Plug
16	39435.1000	1	Panel, Splash (Includes items 17 & 18)
	02308.0000	2	Screw, Pan Head #8-32 x .38"
17	38950.0000	2	Decal, Dispense/No Dispense
18	44746.0000	1	Schematic, Electrical
19	38617.1001	2	Bracket
	02308.0000	4	Screw, Pan Head #8-32 x .38"
20	21436.0000	2	Catch, Magnetic
21	38764.1001	1	Drip Tray Assy (Includes Strike Plate and item 22)
	40789.1000	1	Drip Tray Assy, Extended (For use with larger cup sizes)
22	39613.0000	1	Grate, Drip Tray
23	38652.0000	1	Bracket,Front Left
	38653.0000	1	Bracket, Front Right
	02308.0000	4	Screw, Pan Head #8-32 x .38"
24	39469.0000	1	Bracket, Condenser Mounting
	02335.0001	2	Screw, Hex Crimptite #8 x .38"
25	39375.0001*	1	Bracket
	02335.0001	2	Screw, Hex Crimptite #8 x .38"

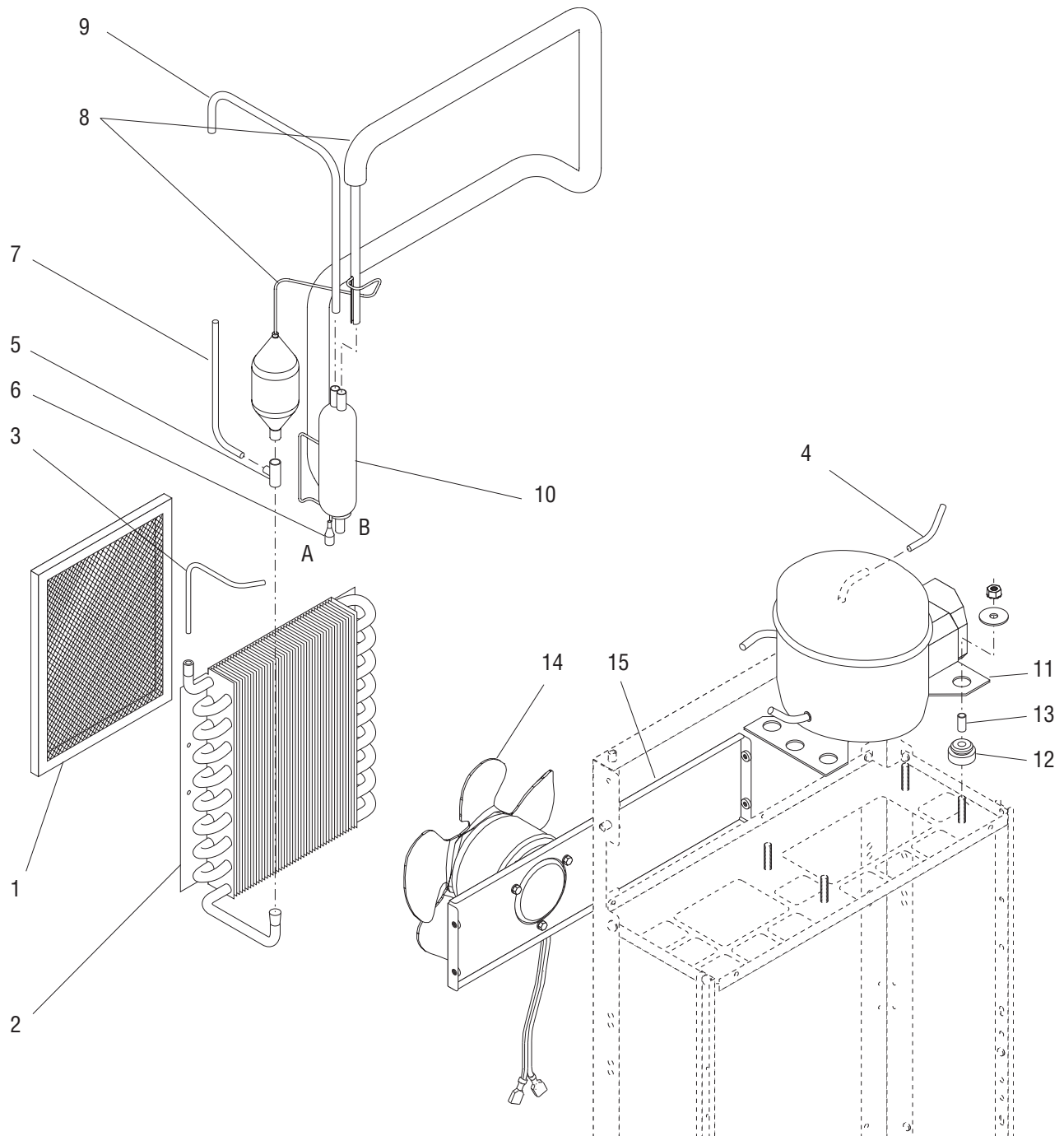
* Indicates the part number listed is for reference only. See DESCRIPTION for possible service replacement.



UPPER CABINET & PANELS

ITEM	PART NO.	QTY.	DESCRIPTION
1	39389.1000	1	Cabinet (Models without Cold Water Dispense)
	39389.1001	1	Cabinet (Models with Cold Water Dispense)
	24544.0000	6	Screw, Pan Head #8-18
2	46191.0000	1	Plate, Cabinet Mounting
	02308.0000	4	Screw, Pan Head #8-32 x .38"
3	39394.0001	1	Plate, Bottom Closure
	01359.0000	5	Screw, Flat Head #8-32 x .38"
4	34362.0002	2	Bushing, Hinge
5	39396.0000	1	Wrap (Early Models)
	39396.0001	1	Wrap (Late Models with Bolt On Door Hinge)
	24544.0000	6	Screw, Pan Head #8-1
	02308.0000	6	Screw, Pan Head #8-32 x .38"
6	34785.0001	1	Bracket, Hinge
	02331.0001	2	Screw, Truss Head, Blk #10-32 x .38"
	43951.0000	2	Washer
7	34666.0001	1	Catch, Door Latch
	01347.0000	2	Screw, Truss Head #6 x .38"
8	34741.0000	1	Screw, Shoulder
9	00669.0002	5	Plug
10	34419.0002	1	Coil, Water
	24544.0000	4	Screw, Pan Head #8-18
11	43694.0000	1	Sensor Assy, Temperature
12	33669.0000	1	Clip, Adhesive Back
13	33297.0000	1	Fan Assy.
14	39393.0000	1	Cover, Fan
	24544.0000	4	Screw, Pan Head #8-18
15	39429.0000	1	Shelf, Product
16	32461.0000	4	Gasket, Drip
17	27394.0000	4	Plug
18	40103.1000	4	Nozzle, Quick Stop White (Includes item 19)
	40103.1001	4	Nozzle, Quick Stop Black (Includes item 19)
19	32848.0000	4	O-ring (Also order item 24)
20	11707.0026*	1	Tube, Silicone .25"ID x 9.5" (Order item 25)
21	37290.0001	1	"Y" Fitting .25" Barb
22	34010.0001	1	Guard, Fan
	38616.0000	4	Screw, Hex Head #10-24
23	41385.0001*	1	Bracket, Lower Door Hinge
	02335.0001	2	Screw, Hex Crimptite #8 x .38"
	43951.0000	2	Washer
24	M2550.0001	-	Lubrifilm 1.0 oz (Use when assembling item 19)
25	11707.1000	-	Tube, Silicone .25"ID x 12.0" (Use as required)
26	40103.1004	-	Nozzle Kit, Quick Stop White (Set of 4)
	40103.1005	-	Nozzle Kit, Quick Stop Black (Set of 4)

* Indicates the part number listed is for reference only. See DESCRIPTION for possible service replacement.



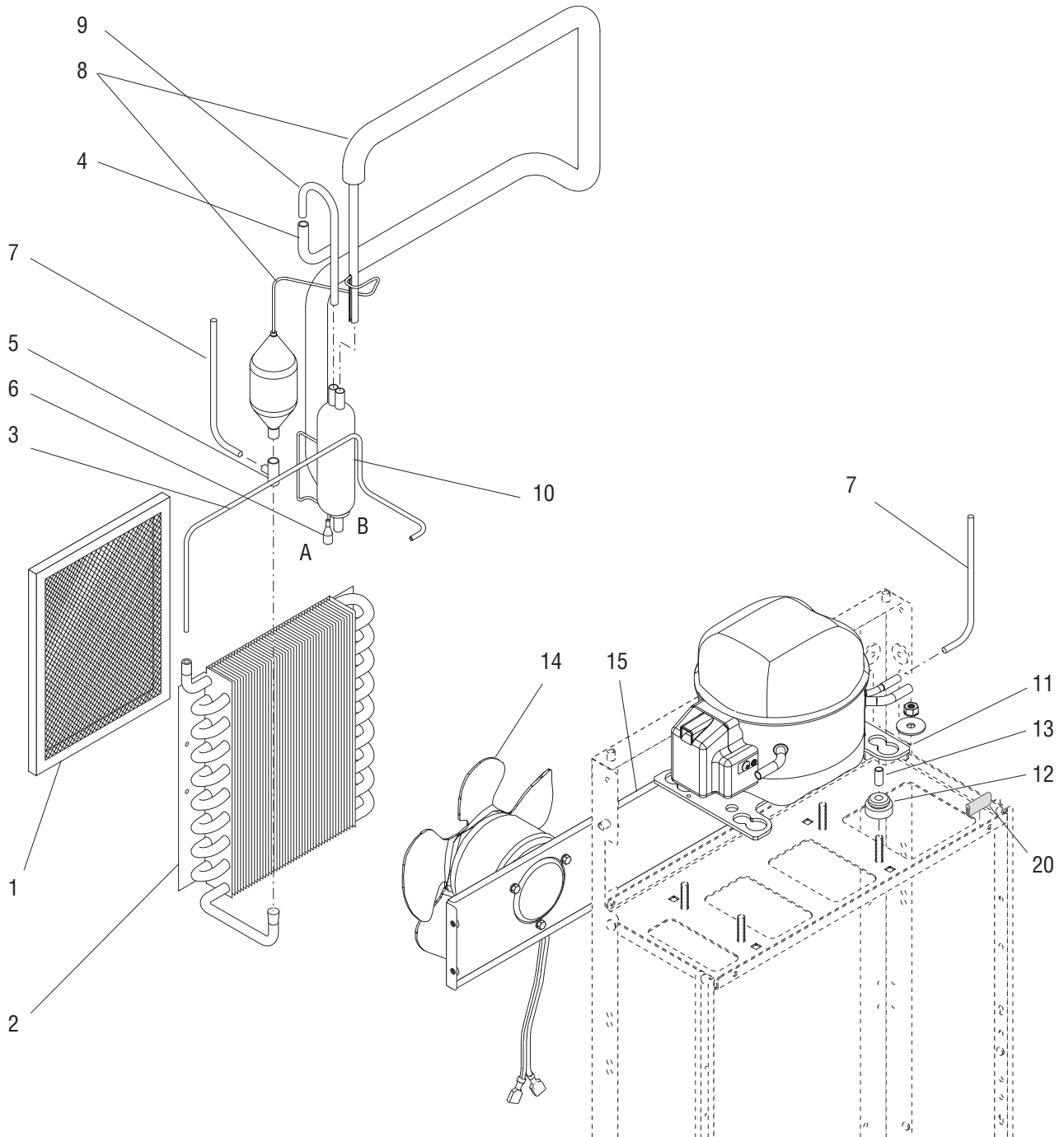
P3859

NOTE: Letters appearing within this illustration correspond to matching connections in other illustrations.

REFRIGERATION COMPONENTS (CUBIGEL COMPRESSOR)

ITEM	PART NO.	QTY.	DESCRIPTION
1	35164.1001	1	Air Filter Assy (Includes item 19)
2	29951.0002	1	Condenser
	02335.0001	4	Screw, Crimptite #8 x .38"
3	38921.0001	1	Tube (Requires brazing to install)
4	38934.0001	1	Tube (Requires brazing to install)
5	00396.0002	1	Tee (Requires brazing to install)
6	35178.0000	1	Adapter (Requires brazing to install)
7	38937.0001	1	Tube (Requires brazing to install)
8	35175.1003	1	Filter Dryer Assy (Requires brazing to install)
9	38922.0003	1	Tube (Requires brazing to install)
10	32776.0000	1	Accumulator
11	-----	1	Compressor (See COMPRESSOR COMPONENTS)
	34529.0000*	4	Washer
	00901.0000	4	Nut .25"-20
12	-----	4	Grommet
13	-----	4	Sleeve
			} Order item 16
14	-----	1	Fan Assy (See FAN ASSEMBLY)
	27243.0000	3	Screw #8-36 x .437"
15	34418.0002	1	Bracket
	02308.0000	4	Screw, Pan Head #8-32 x .38"
16	28567.0000	1	Mounting Kit (Includes four each of items 12 & 13)
17	M2546.1000	-	Tape, Tube Insulating (Use as required)
18	M2336.1000	-	Insulation, Tube 25/50 - 0.25"ID x .19" wall x 6.0 Ft (Use as required)
19	12467.1002	-	Velcro, Loop 3.5" (4 pieces)
	12468.1002	-	Velcro, Hook 3.5" (4 pieces)
			} Not Illustrated

* Indicates the part number listed is for reference only. See DESCRIPTION for possible service replacement.

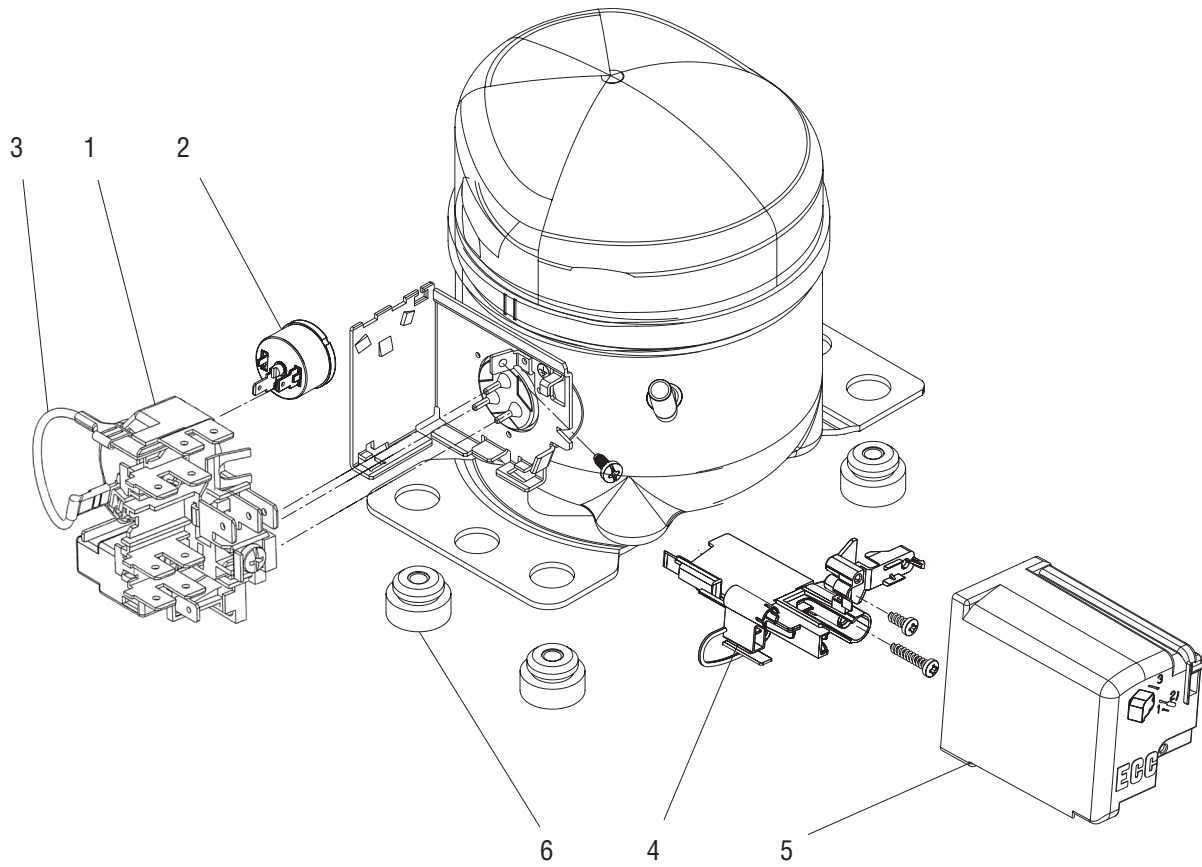


NOTE: Letters appearing within this illustration correspond to matching connections in other illustrations.

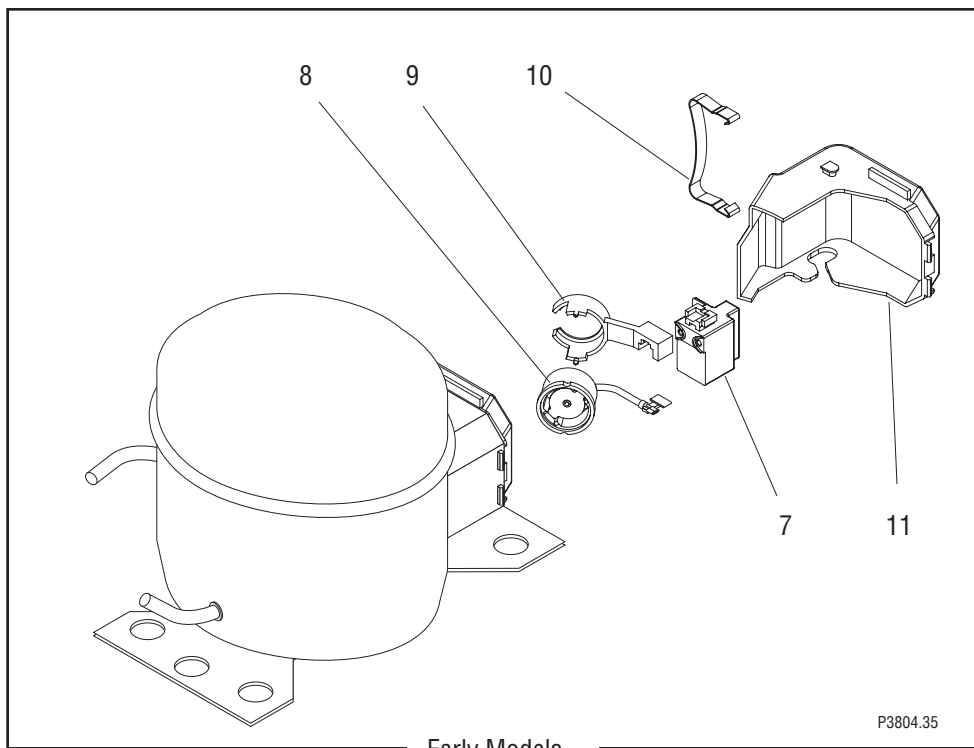
REFRIGERATION COMPONENTS (LG COMPRESSOR)

ITEM	PART NO.	QTY.	DESCRIPTION
1	35164.1001	1	Air Filter Assy (Includes item 19)
2	29951.0002	1	Condenser
	02335.0001	4	Screw, Crimpite #8 x .38"
3	46114.0001	1	Tube (Requires brazing to install)
4	32089.0001	1	Tube (Requires brazing to install)
5	00396.0002	1	Tee (Requires brazing to install)
6	35178.0000	1	Adapter (Requires brazing to install)
7	38937.0001	2	Tube (Requires brazing to install)
8	35175.1003	1	Filter Dryer Assy (Requires brazing to install)
9	46115.0001	1	Tube (Requires brazing to install)
10	32776.0000	1	Accumulator
11	-----	1	Compressor (See COMPRESSOR COMPONENTS)
	34529.0000*	4	Washer
	00901.0000	4	Nut .25"-20
12	-----	4	Grommet
13	-----	4	Sleeve
			} Order item 16
14	-----	1	Fan Assy (See FAN ASSEMBLY)
	27243.0000	3	Screw #8-36 x .437"
15	34418.0002	1	Bracket
	02308.0000	4	Screw, Pan Head #8-32 x .38"
16	28567.0000	1	Mounting Kit (Includes four each of items 12 & 13)
17	M2546.1000	-	Tape, Tube Insulating (Use as required)
18	M2336.1000	-	Insulation, Tube 25/50 - 0.25"ID x .19" wall x 6.0 Ft (Use as required)
19	12467.1002	-	Velcro, Loop 3.5" (4 pieces)
	12468.1002	-	Velcro, Hook 3.5" (4 pieces)
			} Not Illustrated
20	41105.0003	1	Edging 1.0"

* Indicates the part number listed is for reference only. See DESCRIPTION for possible service replacement.



P4040.30



Early Models

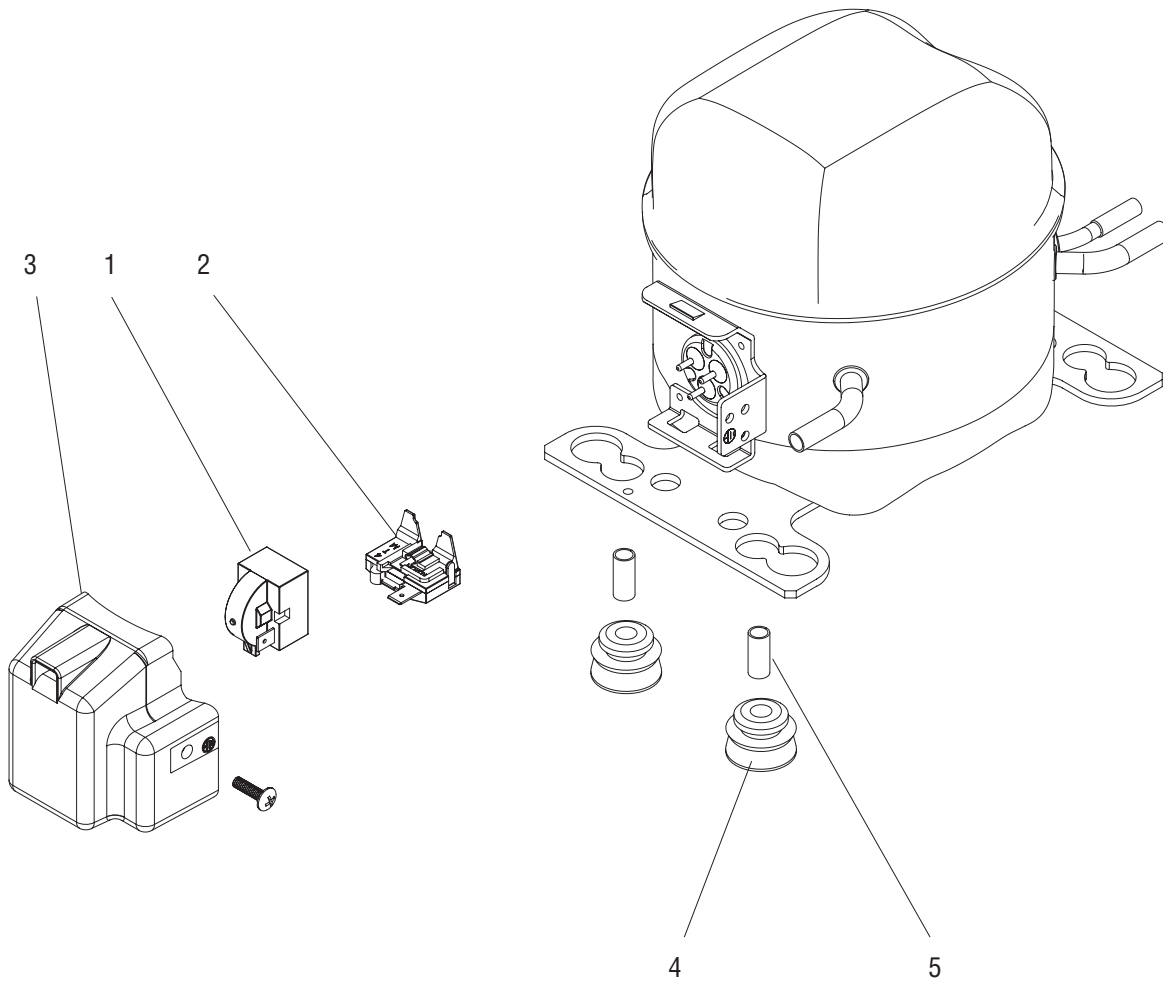
P3804.35

COMPRESSOR COMPONENTS (CUBIGEL)

ITEM	PART NO.	QTY.	DESCRIPTION
-	-----	1	Compressor (Early Models. Order new Compressor)
	33522.1002	1	Compressor 120V (Includes items 1 - 6)
	33522.1003	1	Compressor 230V (Includes items 1 - 6)
1	39912.0002	1	Relay, Compressor 120V
	39912.0003	1	Relay, Compressor 230V
2	39908.0002	1	Overload Protector 120V
	39908.0003	1	Overload Protector 230V
3	41398.0000	1	Cable
4	41397.0000	1	Strain Relief
5	39907.0000	1	Cover
6	41396.0000	1	Mounting Kit (Includes 4 Grommets and Sleeves)
7	38897.0000	1	Relay, Compressor 120V
	38897.0001	1	Relay, Compressor 230V
8	38917.0000	1	Overload Protector
9	38916.0000	1	Retainer
10	38918.0000	1	Clip
11	38896.0000	1	Cover

} Early Model Compressors

* Indicates the part number listed is for reference only. See DESCRIPTION for possible service replacement.

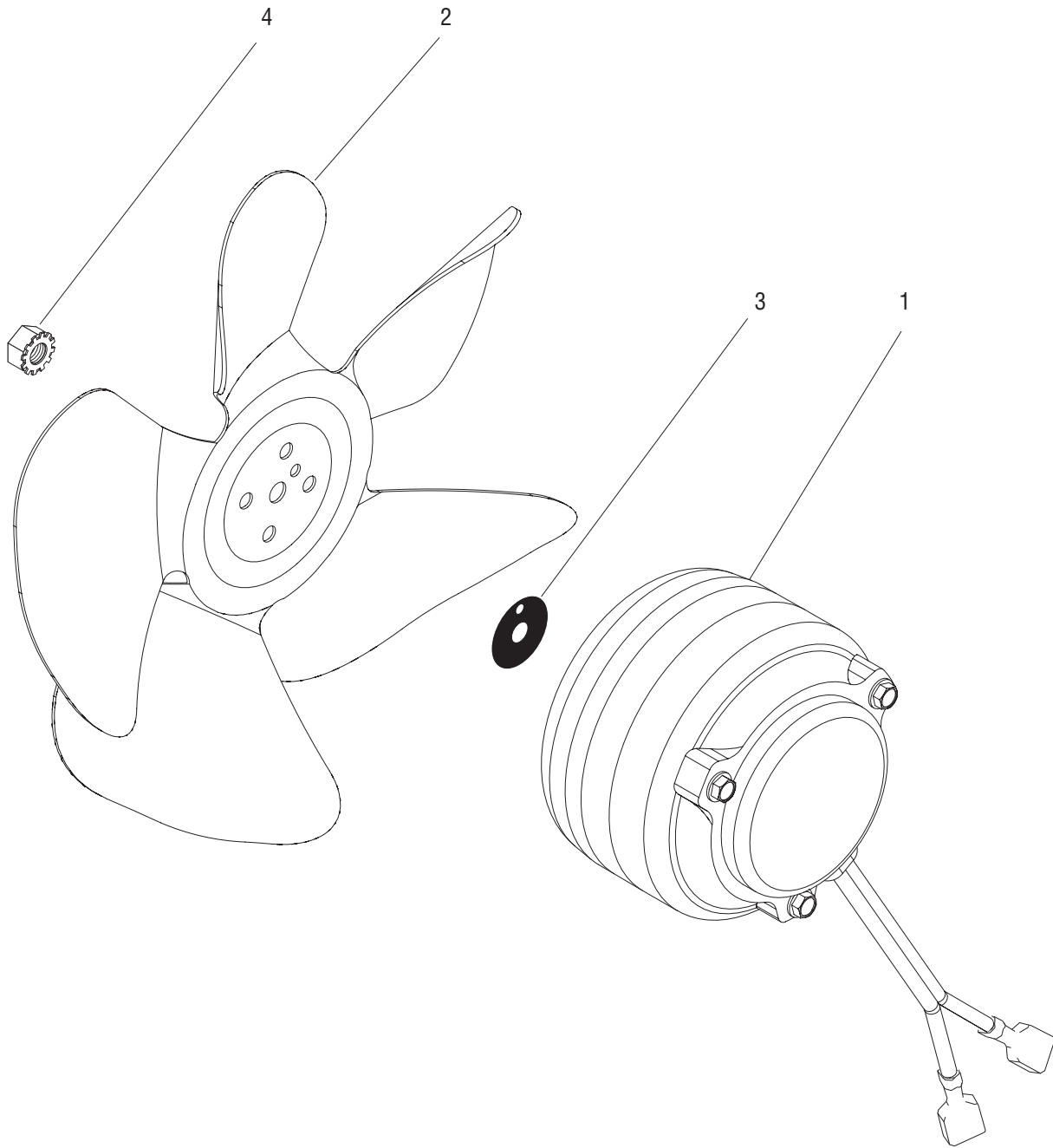


P4298.30

COMPRESSOR COMPONENTS (LG)

ITEM	PART NO.	QTY.	DESCRIPTION
-	45901.0000	1	Compressor 120V (Includes items 1 - 5)
	45901.0001	1	Compressor 230V (Includes items 1 - 5)
1	45899.0000	1	Relay, Compressor 120V
	45899.0001	1	Relay, Compressor 230V
2	45898.0000	1	Overload Protector 120V
	45898.0001	1	Overload Protector 230V
3	45908.0000	1	Cover
	45909.0000	1	Screw
4	45897.0000	4	Grommet
5	45896.0000	4	Sleeve

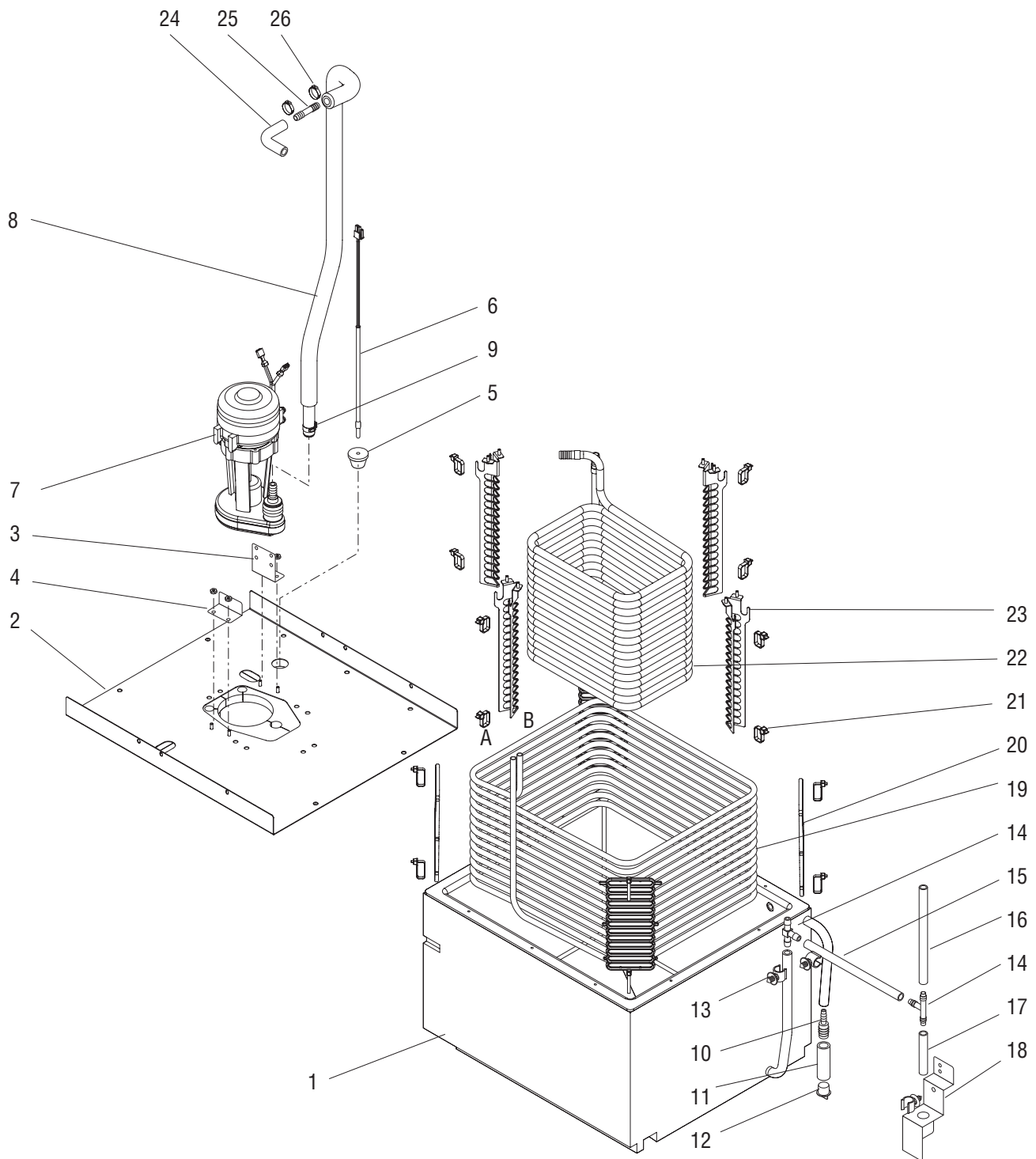
* Indicates the part number listed is for reference only. See DESCRIPTION for possible service replacement.



FAN ASSEMBLY

ITEM	PART NO.	QTY.	DESCRIPTION
-	32204.1006	1	Fan Assy 120V (Includes items 1-4)
	32204.1007	1	Fan Assy 230V (Includes items 1-4)
1	33603.0000	1	Motor Assy 120V
	33603.0001	1	Motor Assy 230V
2	39983.0000	1	Blade, Fan
3	27258.0000	1	Silencer
4	23700.0000	1	Nut .25"-20

* Indicates the part number listed is for reference only. See DESCRIPTION for possible service replacement.



NOTE: Letters appearing within this illustration correspond to matching connections in other illustrations.

P3860

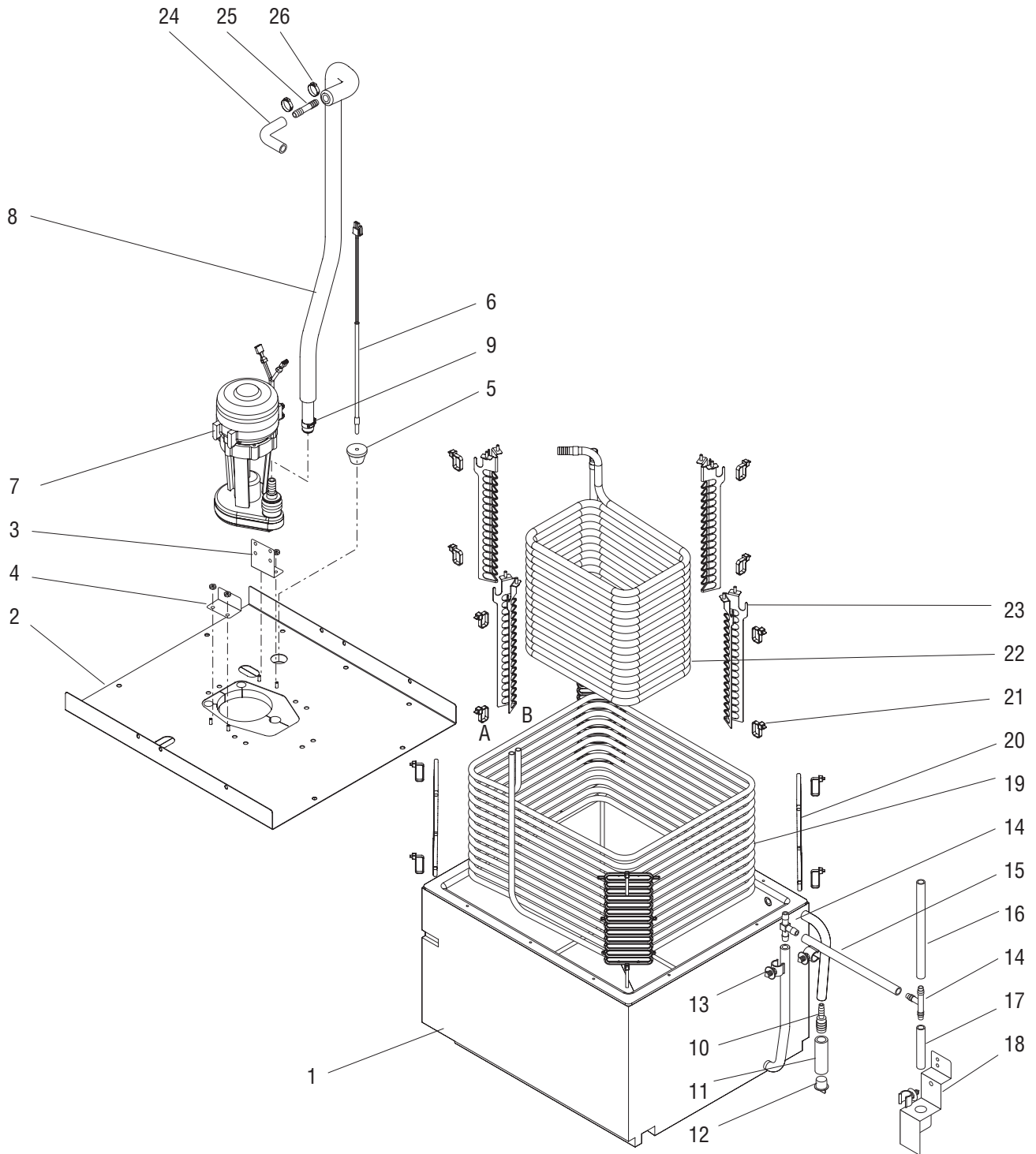
WATER TANK ASSY

ITEM	PART NO.	QTY.	DESCRIPTION
1	39379.0000	1	Tank Assy
	24544.0000	6	Screw, Pan Head #8-18
2	39382.1000	1	Lid Assy
	24544.0000	10	Screw, Pan Head #8-18
	00973.0001	8	Nut, Keps #6-32
3	38833.0001	1	Bracket
	00973.0001	2	Nut, Keps #6-32
4	38833.0000	1	Bracket
	00973.0001	2	Nut, Keps #6-32
5	33801.0001	1	Grommet
6	28891.1000	1	Probe, Temperature & Dry Plug
7	39655.1000	1	Pump Assy 120V
	39655.1001	1	Pump Assy 230V
	27243.0000	4	Screw #8-36 x .437"
8	45848.0003	1	Hose, Flex .38" ID x .625" OD x 27.0"
9	21275.0003	1	Clamp .57" - .70"
10	38924.0001	1	Reducer .50 to .25" Barb
11	32591.0014*	1	Hose, Flex .38" ID x .625" OD x 3.0" (Order item 30)
12	38925.0000	1	Plug
13	27410.0000	3	Clip, Tube Mounting
14	35077.0000	2	Tee .25" Barb
15	34315.0003*	1	Tube, Silicone .312" ID x 6.0" (Order item 29)
16	34315.0005*	1	Tube, Silicone .312" ID x 5.5" (Order item 29)
17	34315.0004*	1	Tube, Silicone .312" ID x 3.0" (Order item 29)
18	38662.0000	1	Bracket
	02308.0000	2	Screw, Pan Head #8-32 x .38"
19	32378.0000	1	Evaporator Coil
20	32583.0000	4	Spacer
21	36329.0002	16	Cable Tie
22	39386.1000	1	Product Coil
23	39467.0000*	4	Spacer
24	45928.0000	1	Elbow
25	34644.0000	1	Connector .38" Barb
26	21275.0003	3	Clamp .57" - .70"

(Continued)

* Indicates the part number listed is for reference only. See DESCRIPTION for possible service replacement.

(Continued)



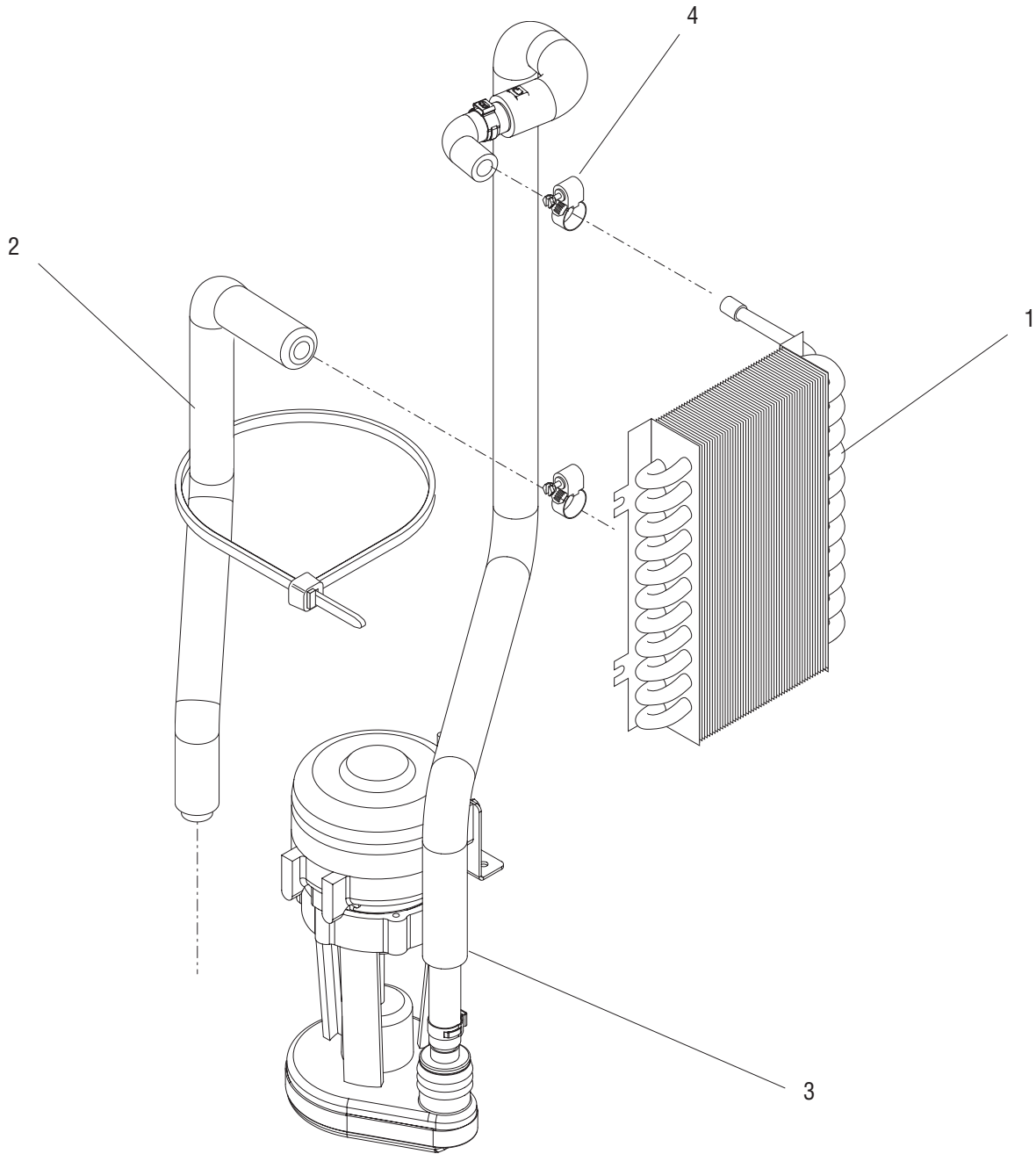
NOTE: Letters appearing within this illustration correspond to matching connections in other illustrations.

P3860

WATER TANK ASSY

ITEM	PART NO.	QTY.	DESCRIPTION
27	M2337.1000	-	Insulation, Tube 25/50 .50" ID x 72.0" (Cut to required length)
28	34325.1000	-	Hose, Flex .38" ID x .625" OD x 12.0" (Cut to required length)
	34325.1001	-	Hose, Flex .38" ID x .625" OD x 36.0" (Cut to required length)
	34325.1002	-	Hose, Flex .38" ID x .625" OD x 120.0" (Cut to required length)
29	34315.1000	-	Hose, Clear PVC .312" ID x .50" OD x 12.0" (Cut to required length)
	34315.1001	-	Hose, Clear PVC .312" ID x .50" OD x 36.0" (Cut to required length)
	34315.1002	-	Hose, Clear PVC .312" ID x .50" OD x 120.0" (Cut to required length)
30	32591.1001	-	Hose, Silicone .50" ID x .625" OD x 12.0" (Cut to required length)
	32591.1002	-	Hose, Silicone .50" ID x .625" OD x 36.0" (Cut to required length)

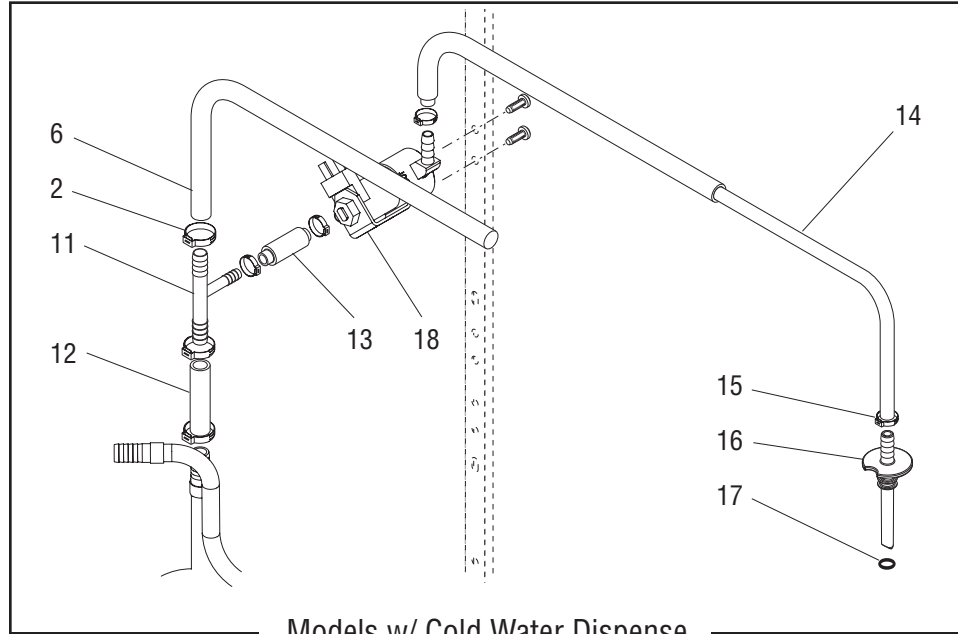
* Indicates the part number listed is for reference only. See DESCRIPTION for possible service replacement.



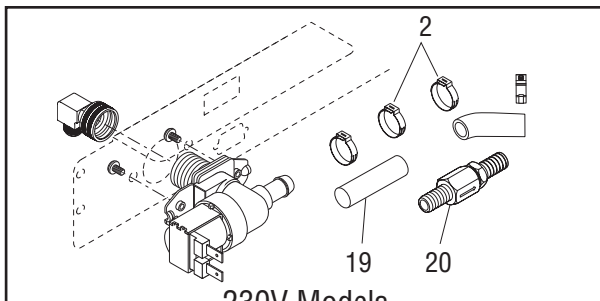
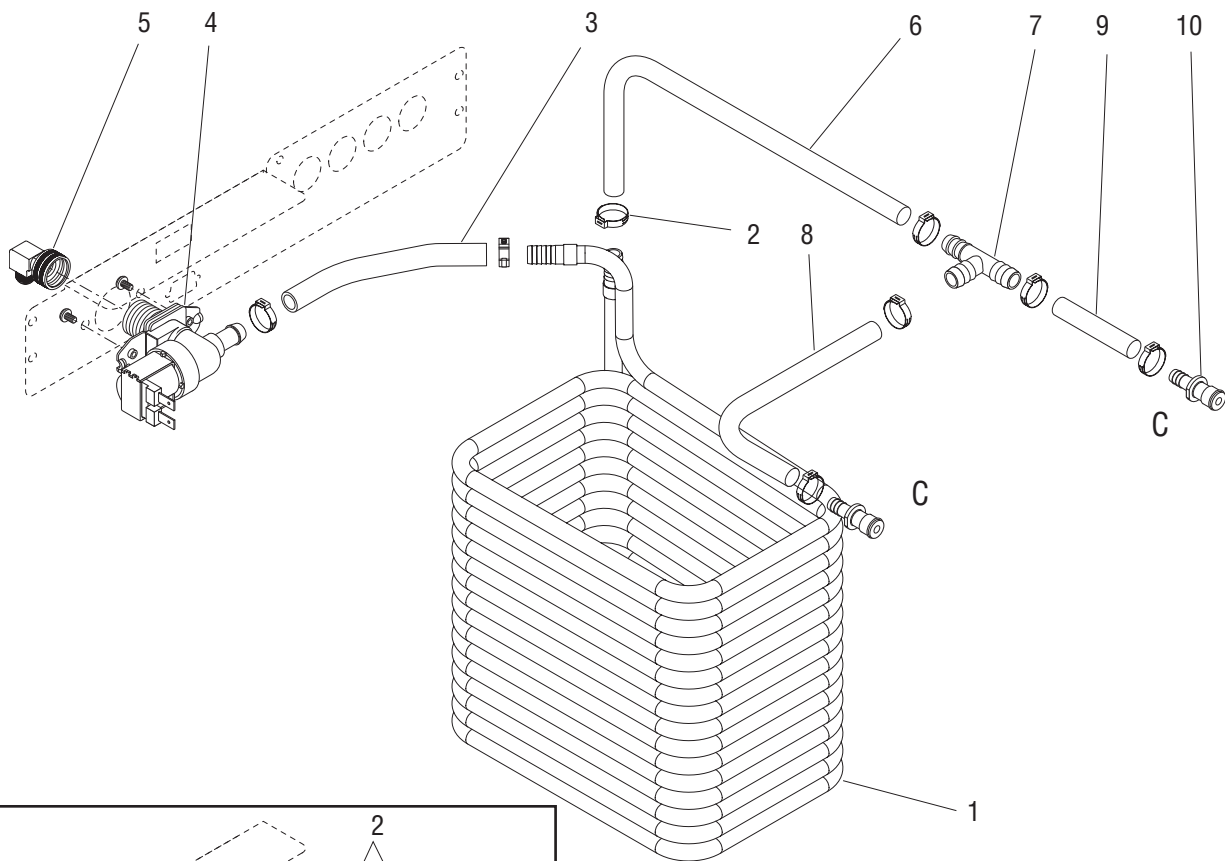
CIRCULATION PUMP & LINES

ITEM	PART NO.	QTY.	DESCRIPTION
1	-----	1	Coil, Upper Cabinet (See UPPER CABINET & PANELS)
2	45848.0001	1	Tube, Silicone .38" ID x 20.0"
3	-----	1	Pump, Circulation (See WATER TANK ASSEMBLY)
4	29421.0000	2	Clamp, Hose Worm Drive .625/.75"
5	M2336.1000	-	Insulation, Tube 25/50 .38" ID x 72.0" (Cut to required length)

* Indicates the part number listed is for reference only. See DESCRIPTION for possible service replacement.



Models w/ Cold Water Dispense



230V Models

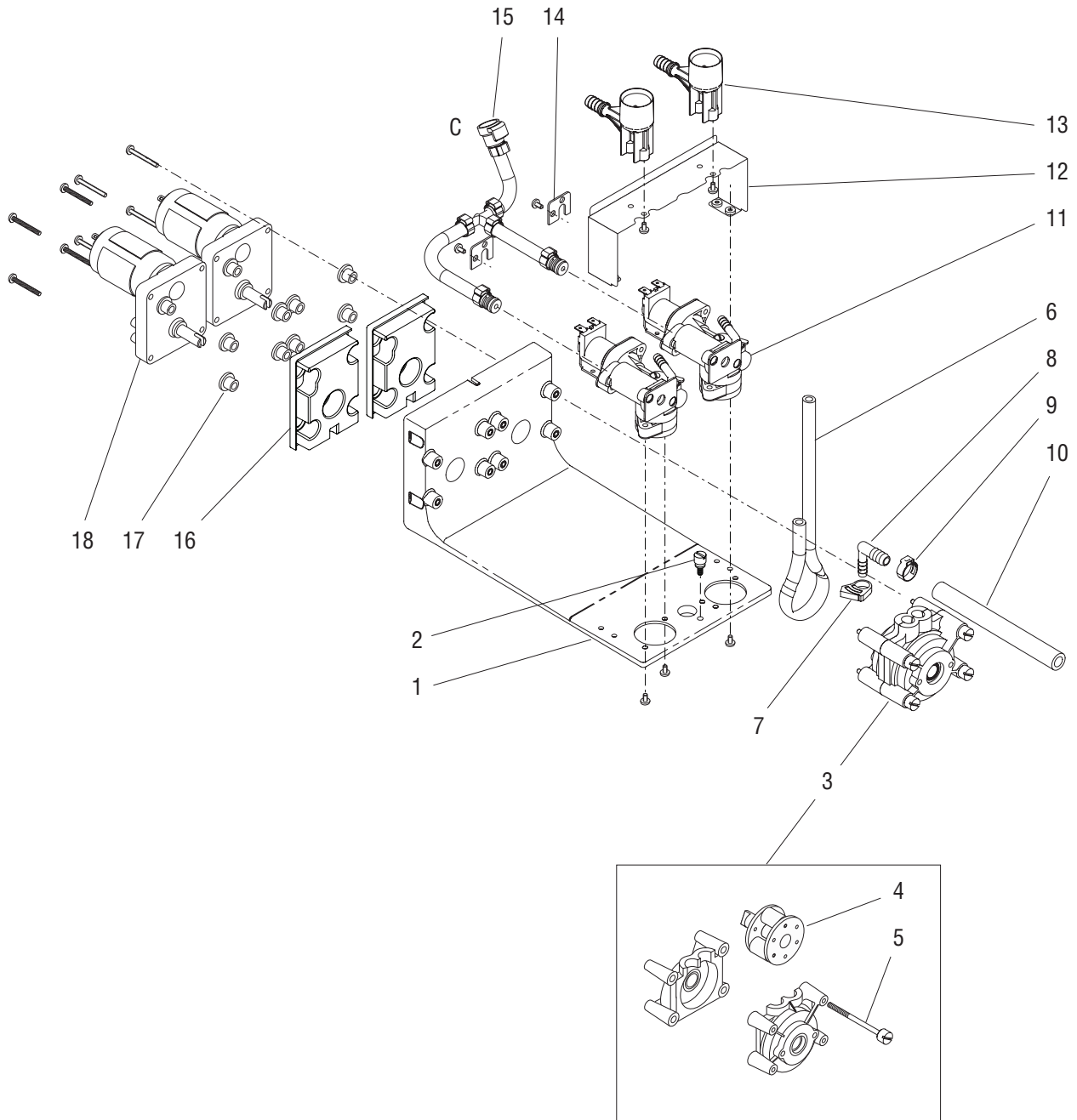
NOTE: Letters appearing within this illustration correspond to matching connections in other illustrations.

P3862

PRODUCT COIL & LINES

ITEM	PART NO.	QTY.	DESCRIPTION
1	-----	1	Product Coil (See WATER TANK ASSEMBLY)
2	21275.0003	8	Clamp .57" - .70" (Two additional used on 230V models)
3	45848.0014*	1	Hose, Flex .38" ID x 6.5" (Order item 21)
4	36233.1005	1	Valve, Water Inlet 120V } See item 26 Valve, Water Inlet 230V } Screw, Pan Head M4 x 6mm
	36233.1006	1	
	32283.0000	2	
5	37297.1001	1	Fitting, Elbow .38" FI x .75" Fine Hose (Includes Gasket)
	41640.0000	1	Gasket
6	45848.0010*	1	Hose, Flex .38" ID x 13.0" (Order item 21)(Models w/o Cold Water Dispense)
	45848.0008*	1	Hose, Flex .38" ID x 10.5" (Order item 21)(Models w/ Cold Water Dispense)
7	35077.0000	1	Tee, Nylon .38" Barb
8	45848.0005*	1	Hose, Flex .38" ID x 7.0" (Order item 21)
9	45848.0013*	1	Hose, Flex .38" ID x 2.75" (Order item 21)
10	34462.0000	2	Coupling, Quick Disconnect, Male
11	26442.0000	1	Tee, Nylon .38" x .38" x .25" Barb
12	45848.0000*	1	Hose, Flex .38" ID x 1.5" (Order item 21)
13	46048.0002*	1	Hose, Braided .25" ID x 4.0" 120V (Order item 22)
	46048.0000*	1	Hose, Braided .25" ID x 2.75" 230V (Order item 22)
14	46048.0005*	1	Hose, Braided .25" ID x 23.0" 120V (Order item 22)
	46048.0006*	1	Hose, Braided .25" ID x 26.0" 230V (Order item 22)
15	21275.0011	4	Clamp .45" - .55"
16	39509.0000	1	Nozzle, Cold Water
17	32857.0000	1	O-ring
18	28378.1021	1	Valve w/Fittings, Solenoid 120V
	01326.0002	2	Screw, Truss Head, Locking #10-32 x .312"
	28006.1007	1	Valve w/Fittings, Solenoid 230V
	02308.0000	2	Screw, Pan Head #8-32 x .38"
19	45848.0011*	2	Hose, Flex .38" ID x 2.50" (Order item 21) (230V)
20	40071.0001	1	Check Valve (230V)
21	45848.1000	-	Hose, Flex .38" ID x 12.0" (Cut to required length)
	45848.1001	-	Hose, Flex .38" ID x 36.0" (Cut to required length)
	45848.1002	-	Hose, Flex .38" ID x 120.0" (Cut to required length)
22	46048.1000	-	Hose, Braided .25" ID x 12.0" (Cut to required length)
	46048.1001	-	Hose, Braided .25" ID x 36.0" (Cut to required length)
	46048.1002	-	Hose, Braided .25" ID x 120.0" (Cut to required length)
23	M2337.1000	-	Insulation, Tube 25/50 .50" ID x 72.0" (Cut to required length)
24	M2336.1000	-	Insulation, Tube 25/50 .38" ID x 72.0" (Cut to required length)
25	39924.1000	-	Hose Assy 120V (Includes items 2, 6 - 17, 21 & 22)
	39924.1001	-	Hose Assy 230V (Includes items 2, 6 - 17, 21 & 22)
26	43644.0000	-	Kit, Valve Rebuild (Not Illustrated)

* Indicates the part number listed is for reference only. See DESCRIPTION for possible service replacement.



NOTE: Letters appearing within this illustration correspond to matching connections in other illustrations.

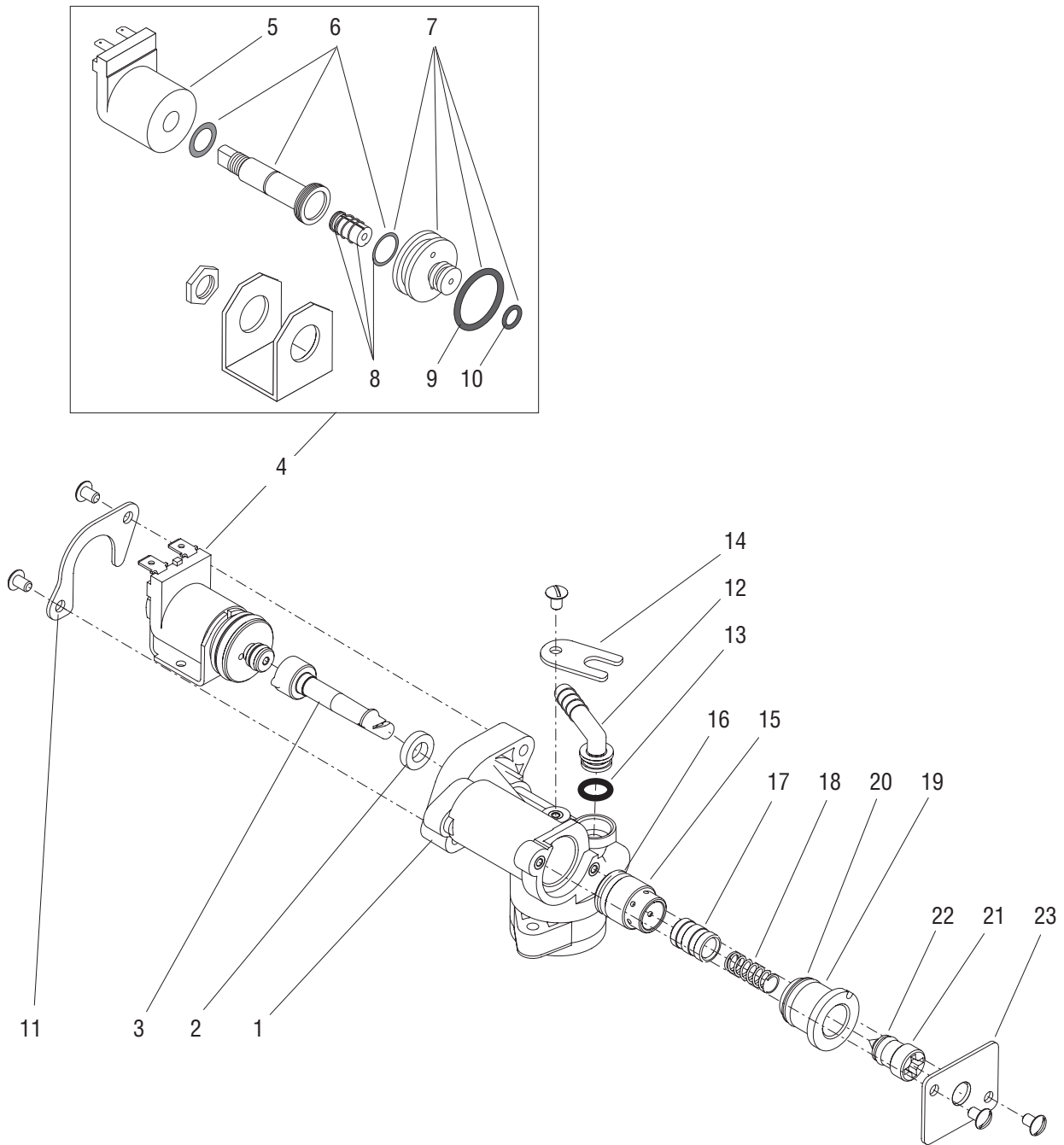
DISPENSE PLATFORM ASSEMBLY

ITEM	PART NO.	QTY.	DESCRIPTION
-	38474.1000	2	Platform Assy (Each includes items 1 - 19)
1	38121.0001	1	Platform
2	38104.0000	1	Thumbscrew
3	28759.0000	2	Pump Assy (Includes items 4 & 5)
4	28794.0000	2	Rotor
5	01370.0001	8	Screw, Pan Head #8-32 x 2.45"
6	28755.1011	2	Tube, Norprene .25" ID x 17.0" lg
7	32732.0000	2	Clamp .39"/.48"
8	32656.0000	2	Fitting, Elbow .25" Barb x .38" Barb
9	21275.0003	4	Clamp .57"/.70"
10	45848.0016*	2	Hose, Flex .38" ID x 5.25" lg (Order item 20)
11	38018.1000	2	Dispense Valve (See DISPENSE VALVE)
	01308.0000	4	Screw, Truss Head #6-32 x 25"
12	38660.0001	1	Bracket
	01308.0000	4	Screw, Truss Head #6-32 x 25"
13	38120.0001	2	Fitting, Bottle Adapter
	01308.0000	4	Screw, Truss Head #6-32 x 25"
14	37786.0001	2	Plate
	01308.0000	2	Screw, Truss Head #6-32 x 25"
15	-----	1	Manifold, Plain Water (See PLAIN WATER MANIFOLD)
16	33781.0000	2	Gasket
17	32957.0000	8	Bushing, Rubber
18	32613.1003	2	Motor Assy
	01322.0001	8	Screw #8-32 x 1.25"

The following items are not illustrated

19	38873.0000	2	Harness, Dispense Platform
20	45848.1000	-	Hose, Flex .375" ID x 12.0" (Use as required)
	45848.1001	-	Hose, Flex .375" ID x 36.0" (Use as required)
	45848.1002	-	Hose, Flex .375" ID x 120.0" (Use as required)
21	39690.0000	-	Pump Tube (Includes items 6,7,8,9 & 10)

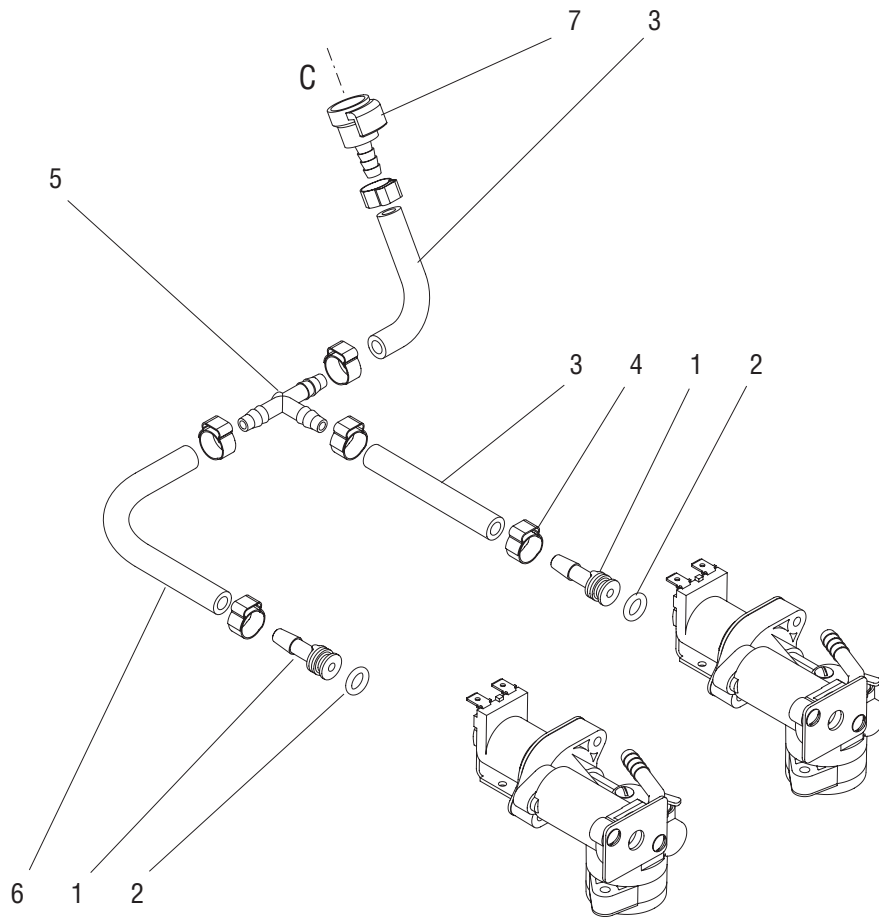
* Indicates the part number listed is for reference only. See DESCRIPTION for possible service replacement.



DISPENSE VALVE ASSEMBLY

ITEM	PART NO.	QTY.	DESCRIPTION
-	38018.1000	1	Dispense Valve Assy (Includes items 1 - 24)
1	37801.0001	1	Body
2	37990.0000	1	Seal
3	37843.0000	1	Nozzle, Water
4	32252.0000	1	Valve, Solenoid (Includes items 5 - 10)
5	33554.0000	1	Solenoid Valve Coil
6	28481.0000	1	Guide Kit (Includes Guide, Washer and O-ring)
7	33585.0000	1	Solenoid Valve Base Kit (Includes O-ring and items 6 & 7)
8	01111.0002	1	Solenoid Valve Repair Kit (Includes Plunger, Spring and O-ring)
9	33580.0000	1	O-ring
10	33553.0000	1	O-ring
11	37987.0000	1	Bracket
	01308.0000	2	Screw #6-32 x .25"
12	32463.0000	1	Fitting, Elbow
13	32849.0001	1	O-ring (Also use item 24)
14	37853.0000	1	Clamp
	01308.0000	1	Screw #6-32 x .25"
15	32603.0000	1	Sleeve
16	32852.0000	1	O-ring (Also use item 24)
17	32602.0000	1	Piston
18	32853.0001	1	Spring, Flow Control
19	32624.0000	1	Bonnet, Adjuster
20	33725.0000	1	O-ring (Also use item 24)
21	32623.0000	1	Adjuster, Position
22	32851.0000	1	O-ring (Also use item 24)
23	37977.0000	1	Bracket, Water Adjustment
	01308.0000	2	Screw #6-32 x .25"
24	M2568.1000	-	Grease, USDA H-1 (Use when assembling items 13,16,20 & 22)

* Indicates the part number listed is for reference only. See DESCRIPTION for possible service replacement.



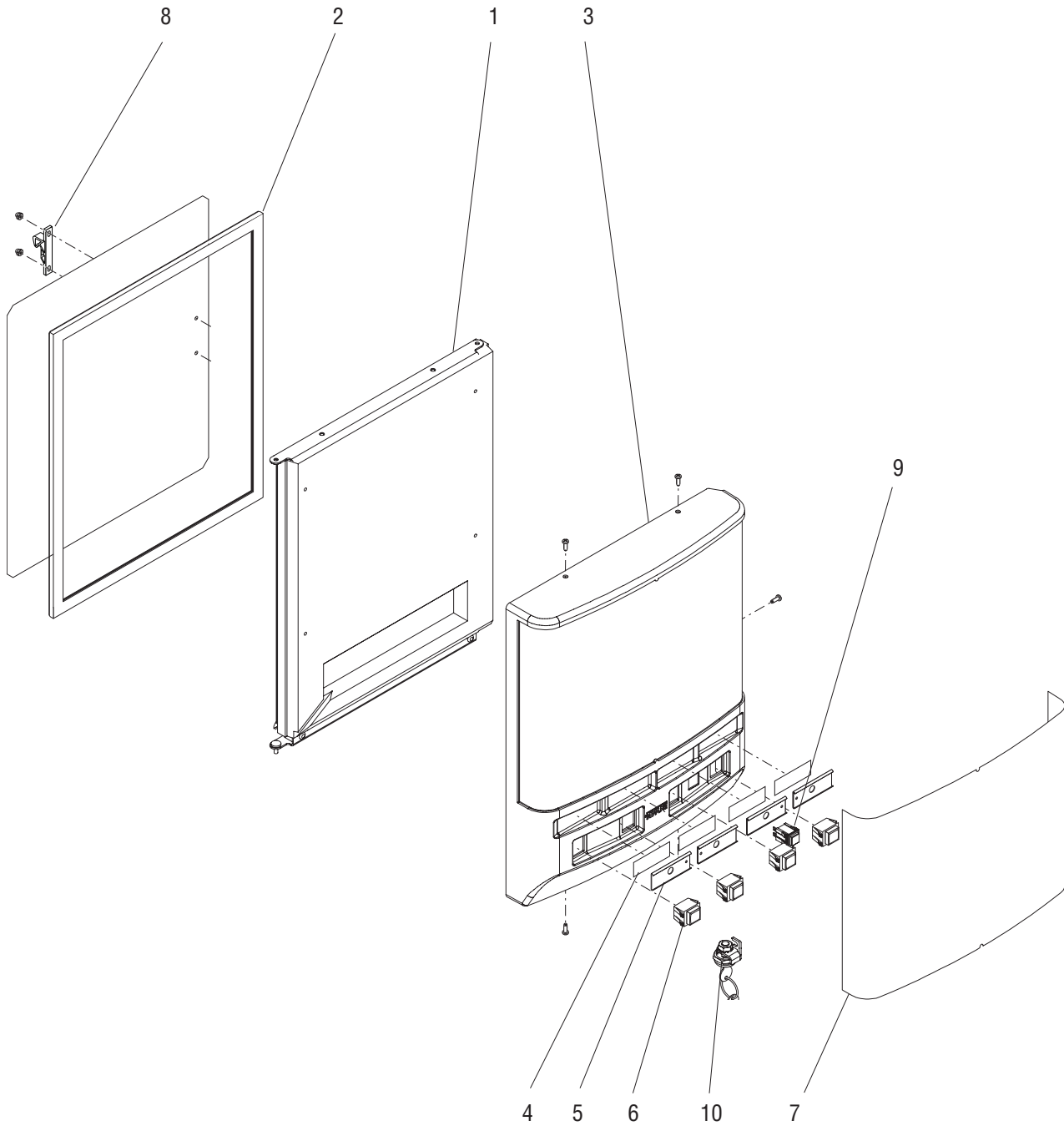
P3624

NOTE: Letters appearing within this illustration correspond to matching connections in other illustrations.

PLAIN WATER MANIFOLD

ITEM	PART NO.	QTY.	DESCRIPTION
1	32631.0000	4	Fitting, Straight
2	32849.0001	4	O-ring
3	46048.0003*	4	Hose, Braided .25" ID x 3.0" (Order item 8)
4	21275.0011	12	Clamp .45 - .55"
5	38605.0000	2	Tee .25" Barb
6	46048.0004*	2	Hose, Braided .25" ID x 5.25" (Order item 8)
7	34461.0000	2	Coupling, Quick Disconnect, Female
8	46048.1000	1	Hose, Braided .25" ID x 12.0" (Cut to required length)
	46048.1001	1	Hose, Braided .25" ID x 36.0" (Cut to required length)
	46048.1002	1	Hose, Braided .25" ID x 120.0" (Cut to required length)

* Indicates the part number listed is for reference only. See DESCRIPTION for possible service replacement.



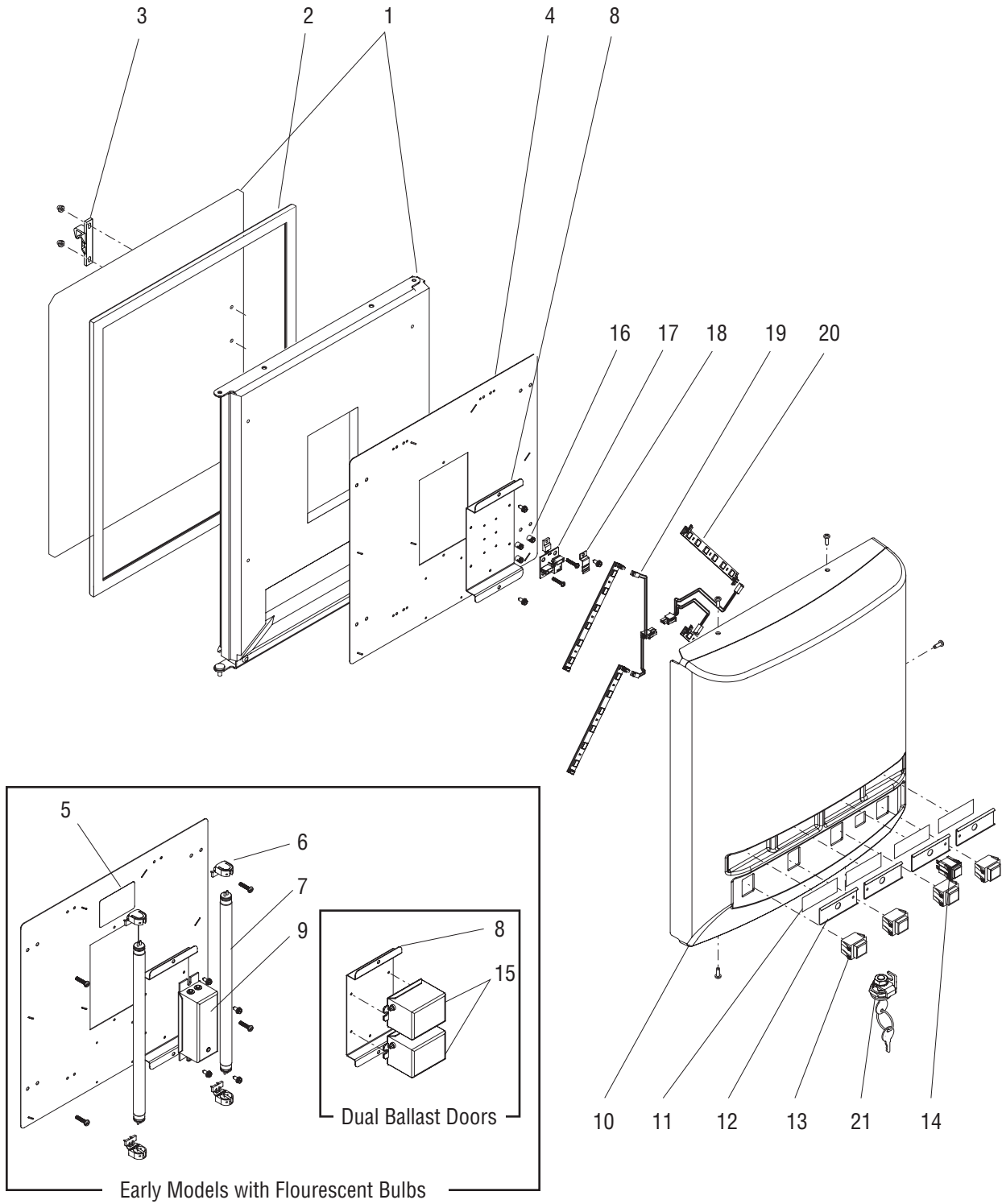
DOOR ASSEMBLY - UNLITED

ITEM	PART NO.	QTY.	DESCRIPTION
1	39398.0000	1	Door, Inner (Includes item 2)
2	38568.0001	1	Gasket, Door
3	39420.0000	1	Cover, Door Front
	39420.0002	1	Cover, Door Front (Models w/ Cold Water Dispense)
	02331.0001	5	Screw, Truss Head, Blk #10-32 x .375"
4	32819.0001	4	Strip, Adhesive
5	37018.0001	4	Flavor Label Holder
6	28296.0002	4	Switch, Dispense
7	39407.0000	1	Decal, Door Wrap (BUNN Juice)
	39407.0001	1	Decal, Door Wrap (BUNN Iced Coffee)
8	34667.0001	1	Keeper, Door Latch
	02319.0000	2	Nut, Acorn
9	39408.0000	1	Switch, Cold Water Dispense
10	34472.0002	1	Key Lock (Includes 2 keys)
	28095.0000	1	Key Set

The following items are not illustrated

11	39739.0000	1	Wiring Harness, Switches
12	32861.0000	-	Decals, Flavor (BUNN Juice)
	32861.0001	-	Decals, Flavor (BUNN Iced Coffee)

* Indicates the part number listed is for reference only. See DESCRIPTION for possible service replacement.



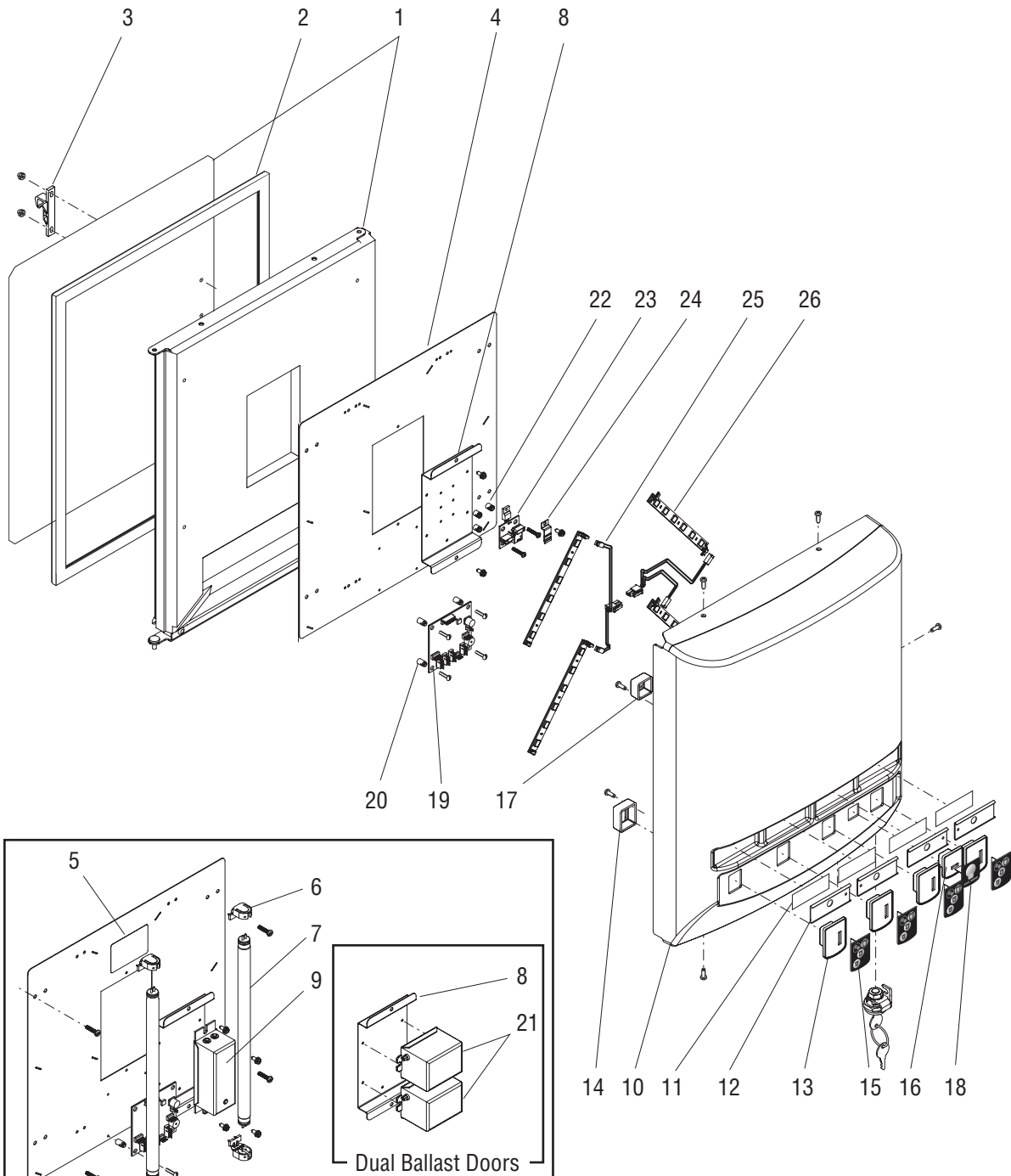
DOOR ASSEMBLY - LITED w/MECHANICAL SWITCHES

ITEM	PART NO.	QTY.	DESCRIPTION
1	39398.0000	1	Door, Inner (Includes item 2)
2	38568.0001	1	Gasket, Door
3	34667.0001	1	Keeper, Door Latch
	02319.0000	2	Nut, Acorn
4	39724.0001	1	Panel, Light
	01370.0000	4	Screw, Pan Head #8-32 x .75"
5	40117.0000	1	Decal, Bulb Replacement (Early Models)
6	27543.0001	4	Lamp Holder (Early Models)
7	26239.0000	2	Lamp, Flourescent (Early Models)
8	40159.0001	1	Bracket
	02335.0001	2	Screw, Hex Crimptite #8 x .38"
9	40307.1000	1	Ballast (Single Ballast Doors)
	02335.0001	2	Screw, Hex Crimptite #8 x .38"
10	39706.0000	1	Cover, Door Front (Juice Display)
	39706.0001	1	Cover, Door Front (Iced Coffee Display)
	39706.0002	1	Cover, Door Front (Juice Display)(Models w/ Cold Water Dispense)
	39706.0003	1	Cover, Door Front (Iced Coffee Display) (Models w/ Cold Water Dispense)
	02331.0001	5	Screw, Truss Head, Blk #10-32 x .375"
11	32819.0001	4	Strip, Adhesive
12	37018.0001	4	Flavor Label Holder
13	28296.0002	4	Switch, Dispense
14	39408.0000	1	Switch, Cold Water Dispense
15	40307.0001	2	Ballast (Dual Ballast Doors)(Early Models)
	02335.0001	4	Screw, Hex Crimptite #8 x .38"
16	29081.0005	3	Spacer
17	41727.0000	1	Circuit Board
	14002.6300	3	Screw
18	41244.0000	1	Clip, Transducer
19	42609.0001	2	Wiring Harness
20	42593.0000	4	LED
21	34472.0002	1	Key Lock (Includes 2 keys)
	28095.0000	1	Key Set

The following items are not illustrated

22	39739.0000	1	Wiring Harness, Switches
23	32861.0000	-	Decals, Flavor (BUNN Juice)
	32861.0001	-	Decals, Flavor (BUNN Iced Coffee)
24	40469.0000	1	Wiring Harness, Ballast (Dual Ballast Doors)(Early Models)
25	21001.0731	4	Lead (For Each Lampholder)(Early Models)

* Indicates the part number listed is for reference only. See DESCRIPTION for possible service replacement.

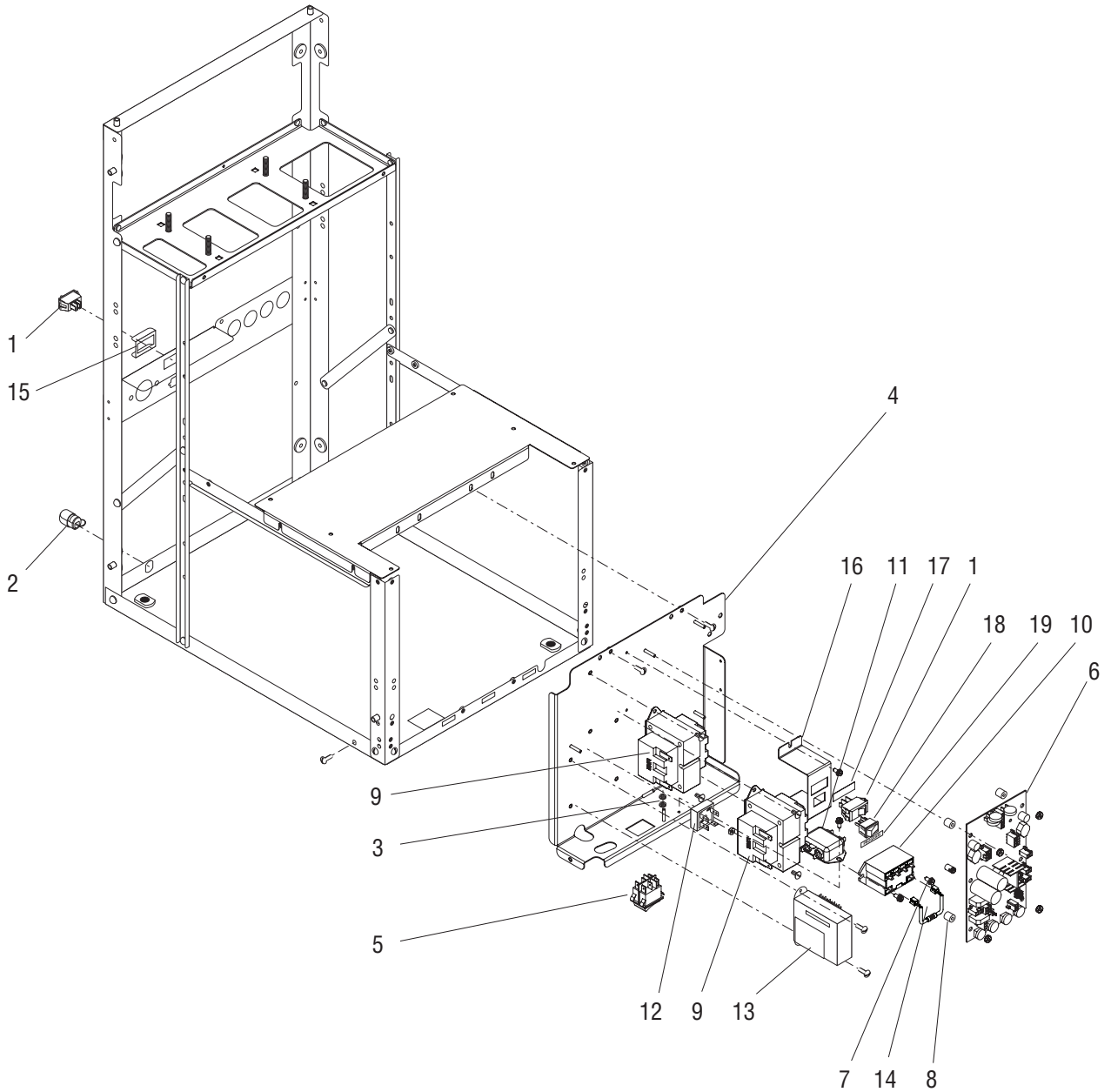


Early Models with Flourescent Bulbs

DOOR ASSEMBLY - LITED w/MEMBRANE SWITCHES

ITEM	PART NO.	QTY.	DESCRIPTION
1	39398.0000	1	Door, Inner (Includes item 2)
2	38568.0001	1	Gasket, Door
3	34667.0001 02319.0000	1 2	Keeper, Door Latch Nut, Acorn
4	39724.0001 01370.0000	1 4	Panel, Light Screw, Pan Head #8-32 x .75"
5	40117.0000	1	Decal, Bulb Replacement (Early Models)
6	27543.0001	4	Lamp Holder (Early Models)
7	26239.0000	2	Lamp, Flourescent (Early Models)
8	40159.0001 02335.0001	1 2	Bracket Screw, Hex Crimptite #8 x .38"
9	40307.1000 02335.0001	1 2	Ballast (Single Ballast Doors) Screw, Hex Crimptite #8 x .38"
10	39706.0000 39706.0001 39706.0002 39706.0003 02331.0001	1 1 1 1 5	Cover, Door Front (Juice Display) Cover, Door Front (Iced Coffee Display) Cover, Door Front (Juice Display)(Models w/ Cold Water Dispense) Cover, Door Front (Iced Coffee Display) (Models w/ Cold Water Dispense) Screw, Truss Head, Blk #10-32 x .375"
11	32819.0001	4	Strip, Adhesive
12	37018.0001	4	Flavor Label Holder
13	40382.0000	4	Bezel, Switch
14	40381.0000 38837.0000	4 8	Retainer, Bezel Screw, Pan Head #4 x .50"
15	40606.0000 44971.0000	4 4	Membrane Switch (Portion Control Models) Membrane Switch (Push Button Models)
16	40748.0000	1	Bezel, Cold Water Dispense Switch
17	40747.0000 01360.0001	4 8	Retainer, Bezel Screw, Pan Head #6 x .60"
18	40605.0000	1	Membrane Switch, Cold Water Dispense
19	40875.0000 14002.6300	1 4	Circuit Board, Portion Control Screw, Pan Head #6-20 x .75"
20	29081.0000	4	Spacer, Circuit Board
21	40307.0001 02335.0001	2 4	Ballast (Dual Ballast Doors)(Early Models) Screw, Hex Crimptite #8 x .38"
22	29081.0005	3	Spacer
23	41727.0000 14002.6300	1 3	Circuit Board Screw
24	41244.0000	1	Clip, Transducer
25	42609.0001	2	Wiring Harness
26	42593.0000	4	LED
27	34472.0002 28095.0000	1 1	Key Lock (Includes 2 keys) Key Set
The following items are not illustrated			
28	41202.0000	1	Wiring Harness, Door
29	32861.0000 32861.0001	- -	Decals, Flavor (BUNN Juice) Decals, Flavor (BUNN Iced Coffee)
30	40469.0000	1	Wiring Harness, Ballast (Dual Ballast Doors)(Early Models)
31	21001.0731	4	Lead (For Each Lampholder)(Early Models)

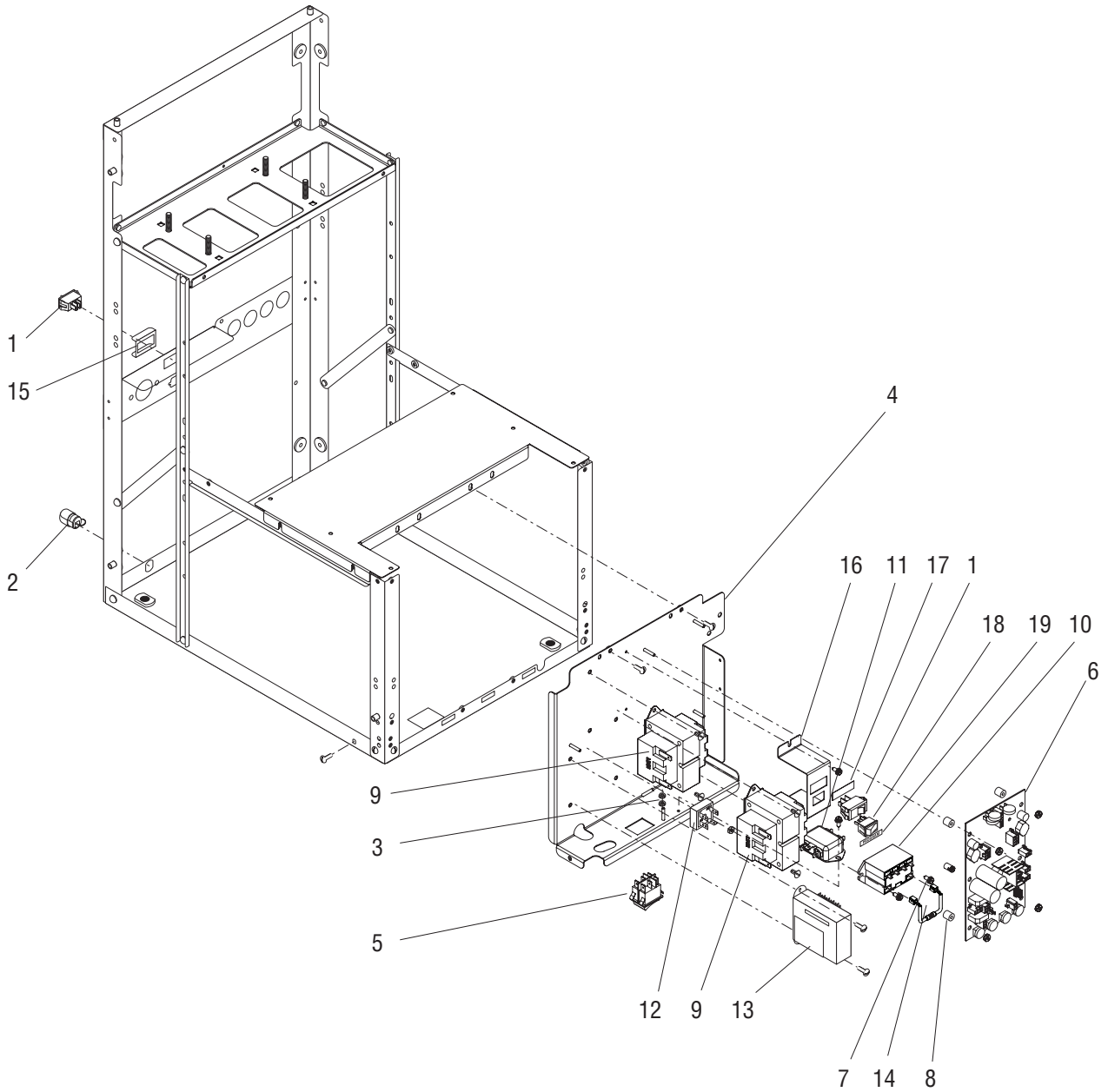
* Indicates the part number listed is for reference only. See DESCRIPTION for possible service replacement.



ELECTRICAL COMPONENTS

ITEM	PART NO.	QTY.	DESCRIPTION
1	04786.0002	1	Switch, Compressor ON/OFF
2	00707.0000	1	Bushing, Strain Relief
3	00973.0001	2	Nut, Harness Grounding
4	39413.0000	1	Enclosure
	39413.0001	1	Enclosure (Models with Front Mounted Refrig. Sw. only)
	39413.0002	1	Enclosure (Models with Front Mounted Refrig. Sw. & Program Sw.)
	02308.0000	4	Screw, Pan Head #8-32 x .38"
5	39720.0000	1	Switch, Dispense Deck ON/OFF
6	40177.1000	1	Circuit Board
	00973.0001	4	Nut, Keps #6-32
7	29081.0000	2	Spacer
8	01533.0000	4	Spacer
9	39305.0000	2	Transformer 120V
	39417.0001	2	Transformer 230V
	02308.0000	4	Screw, Pan Head #8-32 x .38"
10	37711.0000	1	Relay 120V
	37711.0001	1	Relay 230V
	02335.0001	2	Screw, Crimptite #8 x .38"
11	29446.0000	1	EMI Filter 230V
	02335.0001	1	Screw, Crimptite #8 x .38"
12	22126.0000	1	Rectifier (Models w/ Lited Door)
	00973.0001	1	Nut, Keps #6-32
13	28860.0000	1	Transformer 120V (Models w/ Lited Door)
	28860.0001	1	Transformer 230V (Models w/ Lited Door)
	02308.0000	2	Screw, Pan Head #8-32 x .38"
14	40770.0000	1	Resistor 230V
15	40773.0001	1	Switch Guard (Early Models)
16	41503.0000	1	Bracket (Models with Front Mounted Refrig. Sw. only)
	44155.0000	1	Bracket (Models with Front Mounted Refrig. Sw. & Program Sw.)
	02335.0001	2	Screw, Crimptite #8 x .38"
17	41509.0000	1	Decal, Compressor Switch
18	20317.0004	1	Switch, Program
19	44240.0000	1	Decal, Program

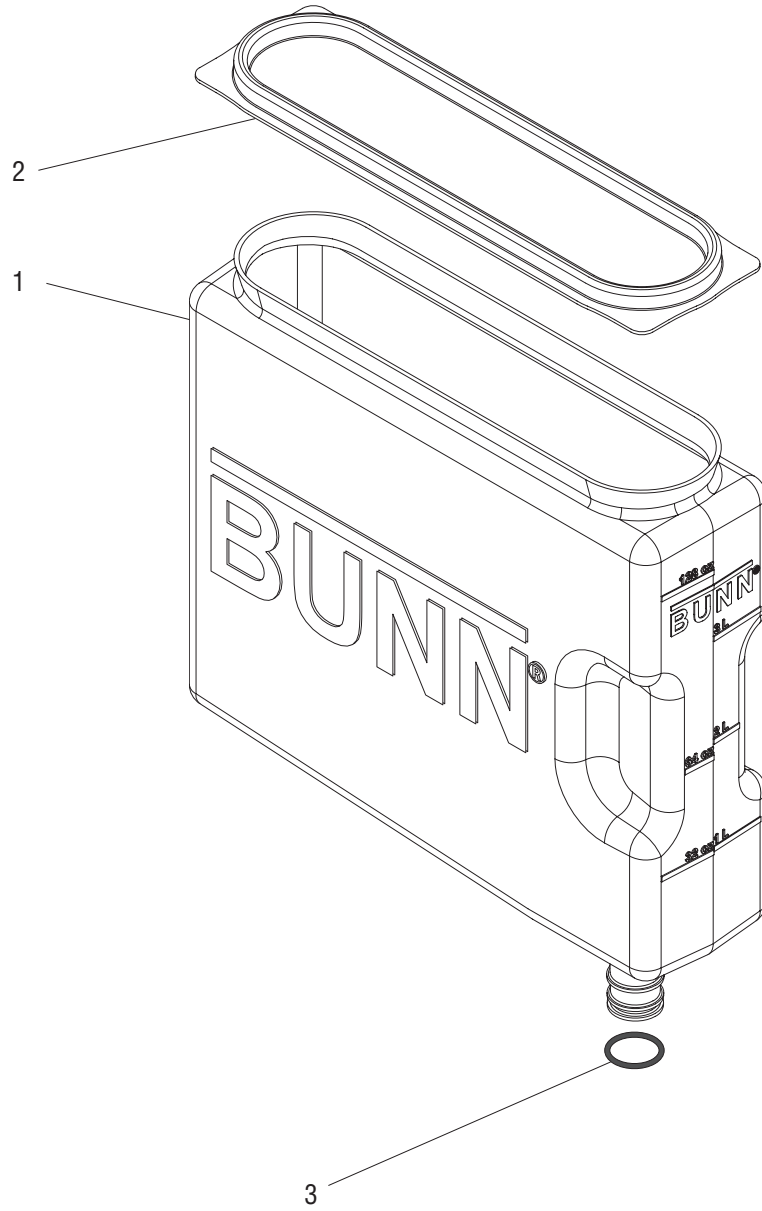
* Indicates the part number listed is for reference only. See DESCRIPTION for possible service replacement.



ELECTRICAL COMPONENTS

ITEM	PART NO.	QTY.	DESCRIPTION
The following items are not illustrated			
20	20630.0015	1	Power Cord 120V
	27728.0009	1	Power Cord 230V
21	38870.0000	2	Wiring Harness, Transformer to Circuit Board
22	39737.0000	1	Wiring Harness, Main
	39737.0002	1	Wiring Harness, Main (Models with Front Mounted Refrig. Sw.)
23	38873.0000	2	Wiring Harness, Platform
24	39738.0000	1	Wiring Harness, Unlited Door
	39738.0002	1	Wiring Harness, Unlited Door (Models with Program Sw.)
	40321.0000	1	Wiring Harness, Lited Door (Models with Flourescent Bulbs)
	40321.0001	1	Wiring Harness, Lited Door (Models with LED Lighting)
	41202.0001	1	Wiring Harness, Lited Door (Models with LED Lighting & Portion Control)
	41202.0005	1	Wiring Harness, Lited Door (Models with Program Sw.)
25	39736.0000	1	Wiring Harness, Transformer to Circuit Board (Lited Doors)
26	41203.0000	1	Wiring Harness, Dispense Disable
	41203.0001	1	Wiring Harness, Dispense Disable (Models with Portion Control)

* Indicates the part number listed is for reference only. See DESCRIPTION for possible service replacement.



REFILLABLE CONTAINER ASSEMBLY

ITEM	PART NO.	QTY.	DESCRIPTION
-	39302.0000	1	Container Assy (Includes items 1-3)
1	39301.0000*	1	Container
2	39299.0000	1	Lid
3	34261.0000	1	O-ring

* Indicates the part number listed is for reference only. See DESCRIPTION for possible service replacement.

NUMERICAL INDEX

PART NO.	PAGE NO.	PART NO.	PAGE NO.	PART NO.	PAGE NO.	PART NO.	PAGE NO.
00396.0002	9,11	28481.0000	29	33725.0000	29	38654.0000	5
00656.0001	5	28567.0000	9,11	33781.0000	27	38660.0001	27
00668.0000	5	28755.1011	27	33801.0001	19	38662.0000	19
00669.0002	7	28759.0000	27	34010.0001	7	38764.1001	5
00707.0000	39	28794.0000	27	34261.0000	43	38833.0000	19
00901.0000	9,11	28860.0000	39	34315.0003	19	38833.0001	19
00973.0001	19,39	28860.0001	39	34315.0004	19	38837.0000	37
00986.7000	5	28891.1000	19	34315.0005	19	38870.0000	41
01111.0002	29	29081.0000	37,39	34315.1000	21	38873.0000	27,41
01308.0000	27,29	29081.0005	35,37	34315.1001	21	38896.0000	13
01322.0001	27	29421.0000	23	34315.1002	21	38897.0000	13
01326.0002	25	29446.0000	39	34325.1000	21	38897.0001	13
01347.0000	7	29951.0002	9,11	34325.1001	21	38916.0000	13
01359.0000	7	32089.0001	11	34325.1002	21	38917.0000	13
01360.0001	37	32204.1006	17	34362.0002	7	38918.0000	13
01370.0000	35,37	32204.1007	17	34418.0002	9,11	38921.0001	9
01370.0001	27	32252.0000	29	34419.0002	7	38922.0003	9
01512.0000	5	32283.0000	25	34461.0000	31	38924.0001	19
01533.0000	39	32378.0000	19	34462.0000	25	38925.0000	19
02308.0000	5,7,9,11,19	32461.0000	7	34472.0002	33,35,37	38934.0001	9
02308.0000	25,39	32463.0000	29	34529.0000	9,11	38937.0001	9,11
02319.0000	33,35,37	32583.0000	19	34644.0000	19	38950.0000	5
02331.0001	5,7,33,35,37	32591.0014	19	34666.0001	7	39299.0000	43
02335.0001	5,7,9,11,35	32591.1001	21	34667.0001	33,35,37	39301.0000	43
02335.0001	37,39	32591.1002	21	34741.0000	7	39302.0000	43
03996.0000	5	32602.0000	29	34785.0001	7	39305.0000	39
04786.0002	39	32603.0000	29	35077.0000	19,25	39375.0001	5
11707.0026	7	32613.1003	27	35164.1001	9,11	39379.0000	19
11707.1000	7	32623.0000	29	35175.1003	9,11	39382.1000	19
12467.1002	9,11	32624.0000	29	35178.0000	9,11	39386.1000	19
12468.1002	9,11	32631.0000	31	36233.1005	25	39387.0000	5
14002.6300	35,37	32656.0000	27	36233.1006	25	39387.0003	5
20317.0004	39	32732.0000	27	36329.0002	19	39389.1000	7
20630.0015	41	32776.0000	9,11	37018.0001	33,35,37	39389.1001	7
21001.0731	35,37	32819.0001	33,35,37	37290.0001	7	39393.0000	7
21275.0003	19,25,27	32848.0000	7	37297.1001	25	39394.0001	7
21275.0011	25,31	32849.0001	29,31	37711.0000	39	39396.0000	7
21436.0000	5	32851.0000	29	37711.0001	39	39396.0001	7
22126.0000	39	32852.0000	29	37786.0001	27	39398.0000	33,35,37
23700.0000	17	32853.0001	29	37801.0001	29	39407.0000	33
24544.0000	7,19	32857.0000	25	37843.0000	29	39407.0001	33
26239.0000	35,37	32861.0000	33,35,37	37853.0000	29	39408.0000	33,35
26442.0000	25	32861.0001	33,35,37	37977.0000	29	39413.0000	39
26528.0000	5	32957.0000	27	37987.0000	29	39413.0001	39
27243.0000	9,11,19	33297.0000	7	37990.0000	29	39413.0002	39
27258.0000	17	33458.0001	5	38018.1000	27,29	39415.1003	5
27354.0000	5	33461.0000	5	38104.0000	27	39416.1001	5
27394.0000	7	33522.1002	13	38120.0001	27	39417.0001	39
27410.0000	19	33522.1003	13	38121.0001	27	39420.0000	33
27442.7000	5	33553.0000	29	38474.1000	27	39420.0002	33
27543.0001	35,37	33554.0000	29	38568.0001	33,35,37	39429.0000	7
27728.0009	41	33580.0000	29	38605.0000	31	39435.1000	5
28006.1007	25	33585.0000	29	38616.0000	7	39467.0000	19
28095.0000	33,35,37	33603.0000	17	38617.1001	5	39469.0000	5
28296.0002	33,35	33603.0001	17	38652.0000	5	39491.1001	5
28378.1021	25	33669.0000	7	38653.0000	5	39491.1002	5

NUMERICAL INDEX

PART NO.	PAGE NO.	PART NO.	PAGE NO.	PART NO.	PAGE NO.	PART NO.	PAGE NO.
39509.0000.....	25	41396.0000.....	13	M2546.1000.....	9,11		
39613.0000.....	5	41397.0000.....	13	M2550.0001.....	7		
39655.1000.....	19	41398.0000.....	13	M2568.1000.....	29		
39655.1001.....	19	41503.0000.....	39				
39690.0000.....	27	41509.0000.....	39				
39706.0000.....	35,37	41640.0000.....	25				
39706.0001.....	35,37	41727.0000.....	35,37				
39706.0002.....	35,37	42479.1001.....	5				
39706.0003.....	35,37	42593.0000.....	35,37				
39720.0000.....	39	42609.0001.....	35,37				
39724.0001.....	35,37	43644.0000.....	25				
39736.0000.....	41	43694.0000.....	7				
39737.0000.....	41	43951.0000.....	7,7				
39737.0002.....	41	44155.0000.....	39				
39738.0000.....	41	44240.0000.....	39				
39738.0002.....	41	44746.0000.....	5				
39739.0000.....	33,35	44971.0000.....	37				
39907.0000.....	13	45705.0002.....	5				
39908.0002.....	13	45848.0000.....	25				
39908.0003.....	13	45848.0001.....	23				
39912.0002.....	13	45848.0003.....	19				
39912.0003.....	13	45848.0005.....	25				
39924.1000.....	25	45848.0008.....	25				
39924.1001.....	25	45848.0010.....	25				
39983.0000.....	17	45848.0011.....	25				
40071.0001.....	25	45848.0013.....	25				
40103.1000.....	7	45848.0014.....	25				
40103.1001.....	7	45848.0016.....	27				
40103.1004.....	7	45848.1000.....	25,27				
40103.1005.....	7	45848.1001.....	25,27				
40117.0000.....	35,37	45848.1002.....	25,27				
40159.0001.....	35,37	45896.0000.....	15				
40177.1000.....	39	45897.0000.....	15				
40307.0001.....	35,37	45898.0000.....	15				
40307.1000.....	35,37	45898.0001.....	15				
40321.0000.....	41	45899.0000.....	15				
40321.0001.....	41	45899.0001.....	15				
40381.0000.....	37	45901.0000.....	15				
40382.0000.....	37	45901.0001.....	15				
40469.0000.....	35,37	45908.0000.....	15				
40605.0000.....	37	45909.0000.....	15				
40606.0000.....	37	45928.0000.....	19				
40747.0000.....	37	46048.0000.....	25				
40748.0000.....	37	46048.0002.....	25				
40770.0000.....	39	46048.0003.....	31				
40773.0001.....	39	46048.0004.....	31				
40789.1000.....	5	46048.0005.....	25				
40875.0000.....	37	46048.0006.....	25				
41105.0003.....	11	46048.1000.....	25,31				
41202.0000.....	37	46048.1001.....	25,31				
41202.0001.....	41	46048.1002.....	25,31				
41202.0005.....	41	46114.0001.....	11				
41203.0000.....	41	46115.0001.....	11				
41203.0001.....	41	46191.0000.....	7				
41244.0000.....	35,37	M2336.1000.....	9,11,23,25				
41385.0001.....	7	M2337.1000.....	21,25				