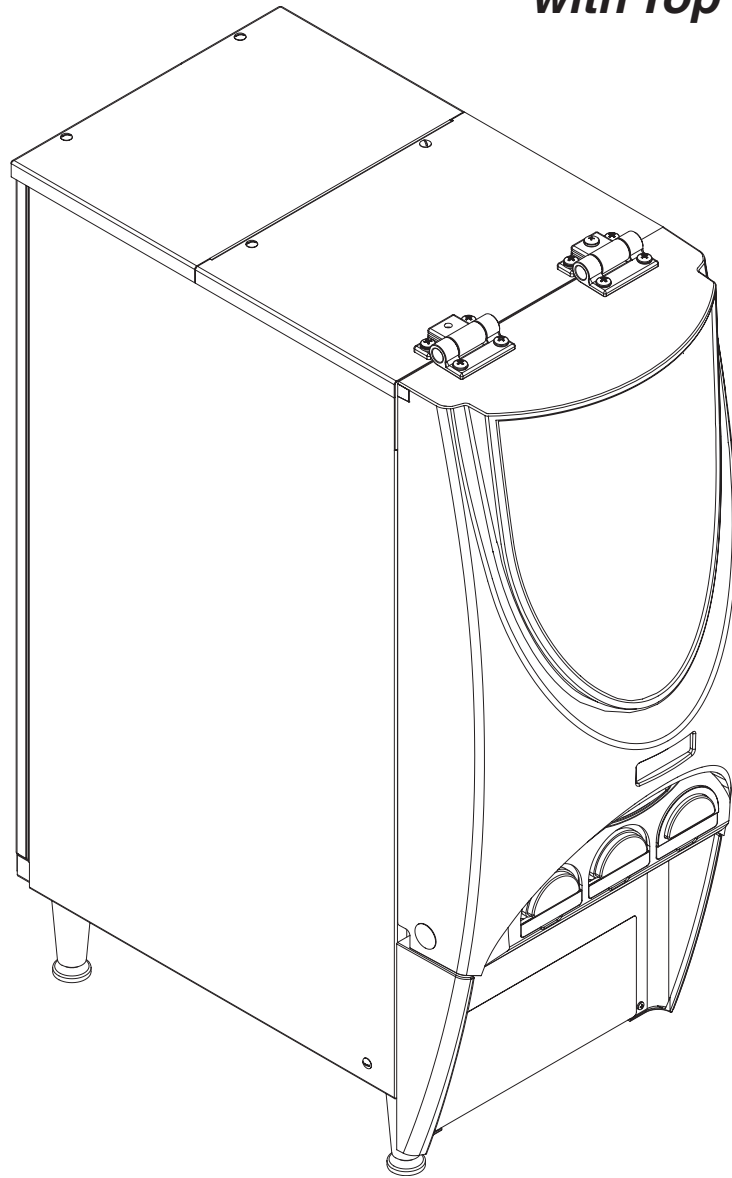


---

# BUNN®

# IMIX®-3

*with Top Hinged Door*



## ILLUSTRATED PARTS CATALOG

Designs, materials, weights, specifications, and dimensions for equipment or replacement parts are subject to change without notice.

**BUNN-O-MATIC CORPORATION**

POST OFFICE BOX 3227

SPRINGFIELD, ILLINOIS 62708-3227

PHONE: (217) 529-6601 FAX: (217) 529-6644



## BUNN-O-MATIC COMMERCIAL PRODUCT WARRANTY

Bunn-O-Matic Corp. ("BUNN") warrants equipment manufactured by it as follows:

- 1) Airpots, thermal carafes, decanters, GPR servers, iced tea/coffee dispensers, MCP/MCA pod brewers thermal servers and Thermofresh servers (mechanical and digital)- 1 year parts and 1 year labor.
- 2) All other equipment - 2 years parts and 1 year labor plus added warranties as specified below:
  - a) Electronic circuit and/or control boards - parts and labor for 3 years.
  - b) Compressors on refrigeration equipment - 5 years parts and 1 year labor.
  - c) Grinding burrs on coffee grinding equipment to grind coffee to meet original factory screen sieve analysis - parts and labor for 4 years or 40,000 pounds of coffee, whichever comes first.

These warranty periods run from the date of installation BUNN warrants that the equipment manufactured by it will be commercially free of defects in material and workmanship existing at the time of manufacture and appearing within the applicable warranty period. This warranty does not apply to any equipment, component or part that was not manufactured by BUNN or that, in BUNN's judgment, has been affected by misuse, neglect, alteration, improper installation or operation, improper maintenance or repair, non periodic cleaning and descaling, equipment failures related to poor water quality, damage or casualty. In addition, the warranty does not apply to replacement of items subject to normal use including but not limited to user replaceable parts such as seals and gaskets. This warranty is conditioned on the Buyer 1) giving BUNN prompt notice of any claim to be made under this warranty by telephone at (217) 529-6601 or by writing to Post Office Box 3227, Springfield, Illinois 62708-3227; 2) if requested by BUNN, shipping the defective equipment prepaid to an authorized BUNN service location; and 3) receiving prior authorization from BUNN that the defective equipment is under warranty.

**THE FOREGOING WARRANTY IS EXCLUSIVE AND IS IN LIEU OF ANY OTHER WARRANTY, WRITTEN OR ORAL, EXPRESS OR IMPLIED, INCLUDING, BUT NOT LIMITED TO, ANY IMPLIED WARRANTY OF EITHER MERCHANTABILITY OR FITNESS FOR A PARTICULAR PURPOSE.** The agents, dealers or employees of BUNN are not authorized to make modifications to this warranty or to make additional warranties that are binding on BUNN. Accordingly, statements by such individuals, whether oral or written, do not constitute warranties and should not be relied upon.

If BUNN determines in its sole discretion that the equipment does not conform to the warranty, BUNN, at its exclusive option while the equipment is under warranty, shall either 1) provide at no charge replacement parts and/or labor (during the applicable parts and labor warranty periods specified above) to repair the defective components, provided that this repair is done by a BUNN Authorized Service Representative; or 2) shall replace the equipment or refund the purchase price for the equipment.

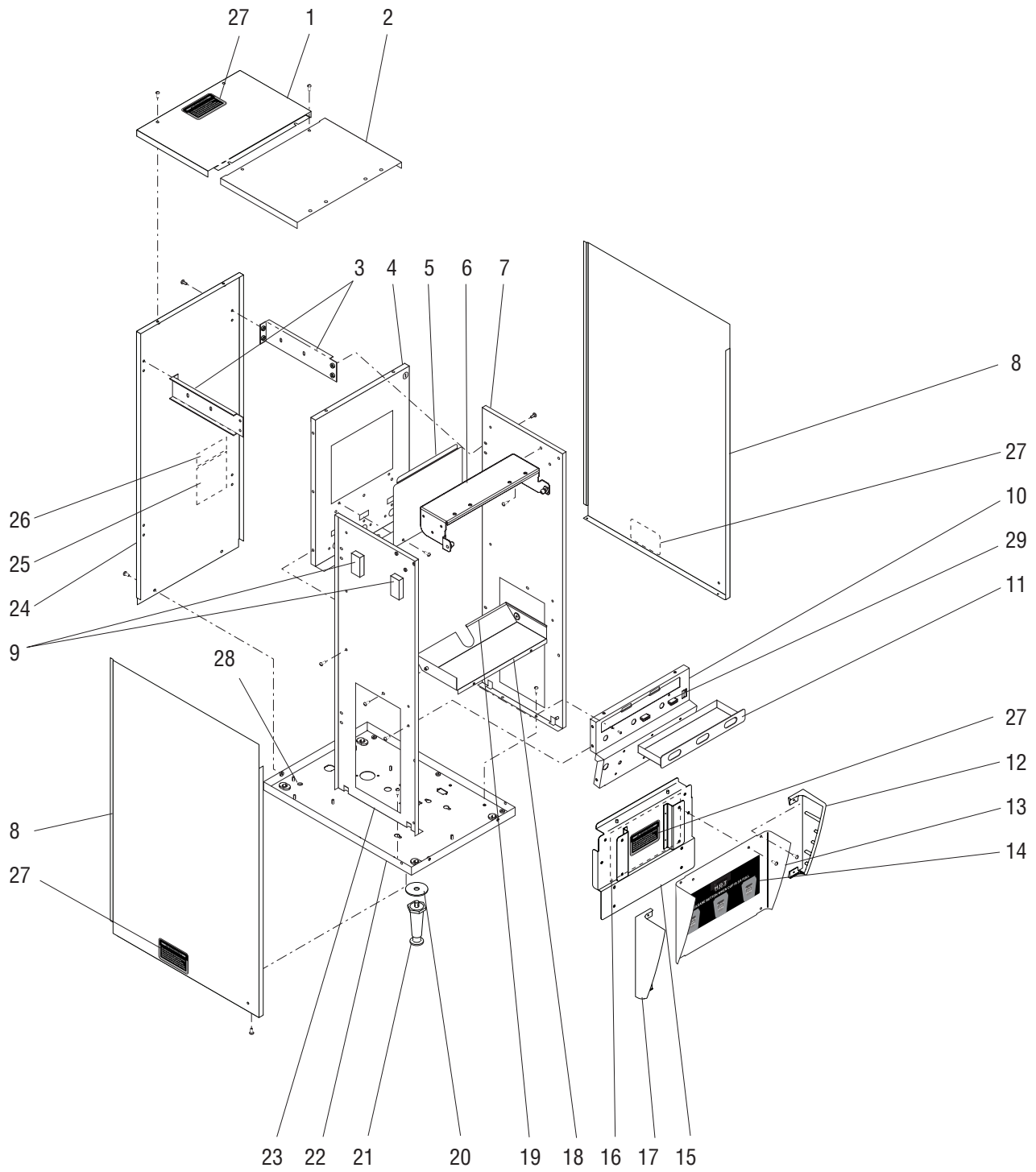
**THE BUYER'S REMEDY AGAINST BUNN FOR THE BREACH OF ANY OBLIGATION ARISING OUT OF THE SALE OF THIS EQUIPMENT, WHETHER DERIVED FROM WARRANTY OR OTHERWISE, SHALL BE LIMITED, AT BUNN'S SOLE OPTION AS SPECIFIED HEREIN, TO REPAIR, REPLACEMENT OR REFUND.**

In no event shall BUNN be liable for any other damage or loss, including, but not limited to, lost profits, lost sales, loss of use of equipment, claims of Buyer's customers, cost of capital, cost of down time, cost of substitute equipment, facilities or services, or any other special, incidental or consequential damages.

392, A Partner You Can Count On, AutoPOD, AXIOM, BrewLOGIC, BrewMETER, Brew Better Not Bitter, BrewWISE, BrewWIZARD, BUNN Espresso, BUNN Family Gourmet, BUNN Gourmet, BUNN Pour-O-Matic, BUNN, BUNN with the stylized red line, BUNNlink, Bunn-OMatic, Bunn-O-Matic, BUNNserve, BUNNSERVE with the stylized wrench design, Cool Froth, DBC, Dr. Brew stylized Dr. design, Dual, Easy Pour, EasyClear, EasyGard, FlavorGard, Gourmet Ice, Gourmet Juice, High Intensity, iMIX, Infusion Series, Intellisteam, My Café, Phase Brew, PowerLogic, Quality Beverage Equipment Worldwide, Respect Earth, Respect Earth with the stylized leaf and coffee cherry design, Safety-Fresh, savemycoffee.com, Scale-Pro, Silver Series, Single, Smart Funnel, Smart Hopper, SmartWAVE, Soft Heat, SplashGard, The Mark of Quality in Beverage Equipment Worldwide, ThermoFresh, Titan, trifacta, Velocity Brew, Air Brew, Air Infusion, Beverage Bar Creator, Beverage Profit Calculator, Brew better, not bitter., BUNNSource, Coffee At Its Best, Cyclonic Heating System, Daypart, Digital Brewer Control, Element, Nothing Brews Like a BUNN, Pouring Profits, Signature Series, Tea At Its Best, The Horizontal Red Line, Ultra are either trademarks or registered trademarks of Bunn-O-Matic Corporation. The commercial trifacta® brewer housing configuration is a trademark of Bunn-O-Matic Corporation.

# TABLE OF CONTENTS

TITLE	PAGE NO.
Auger Drive and Hopper Assembly .....	12
Covers and Panels .....	4
Dispense Valves and Lines.....	20
Door, Lamp, Dispense Switches and Panels .....	8
Electrical Controls.....	22
Mixing/Whipper Chambers and Drive Motor.....	14
Numerical Index.....	24
Tank, Heater and Overflow Protection .....	16



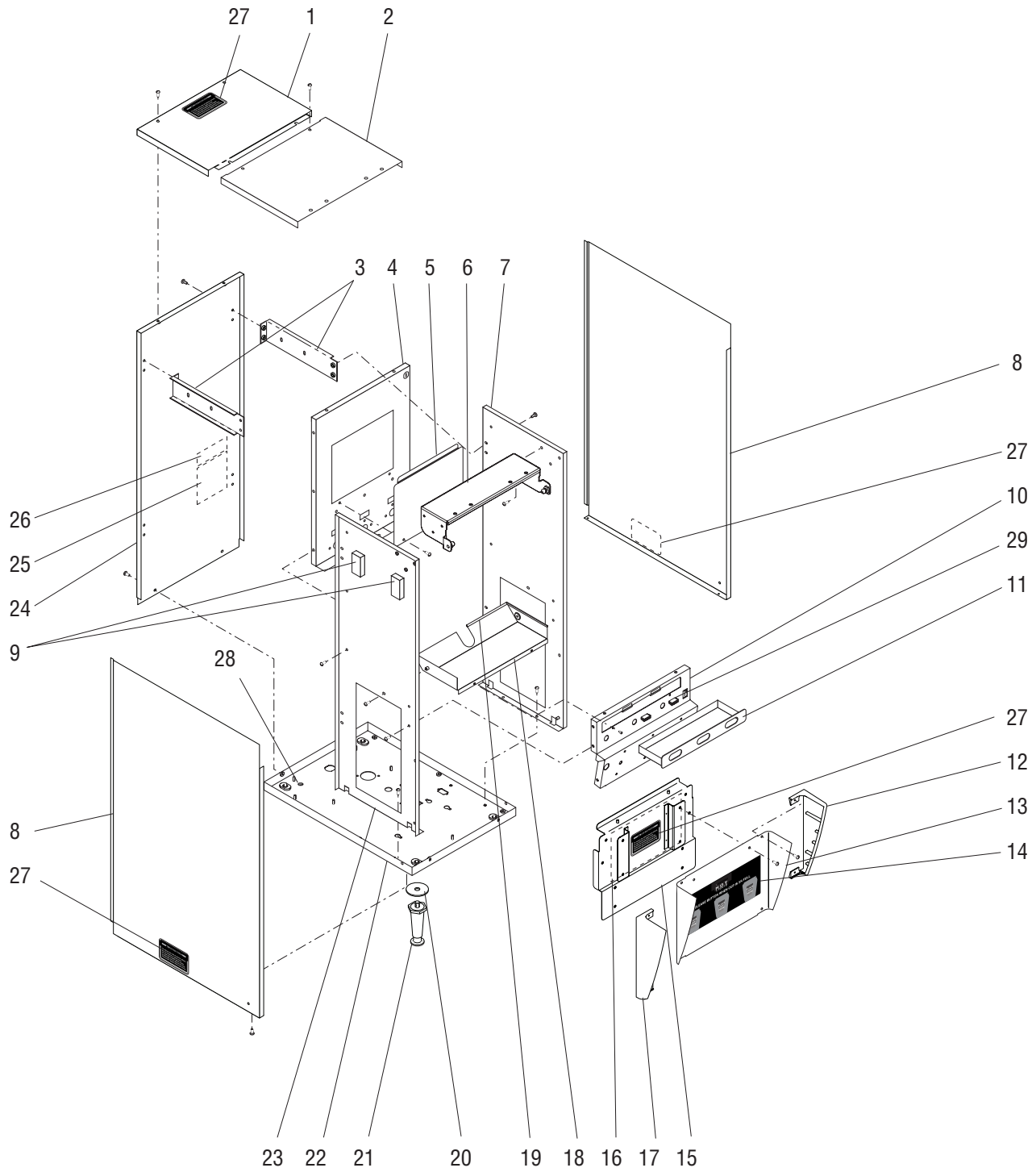
## COVERS AND PANELS

ITEM	PART NO.	QTY.	DESCRIPTION
1	36958.0001	1	Cover, Top Rear
	01311.0003	2	Screw, Truss Head BLK #8-32 x .25"
2	41577.0001	1	Cover, Top Front
	01311.0003	2	Screw, Truss Head BLK #8-32 x .25"
3	35926.0000	4	Bracket, Side Support
	01311.0001	8	Screw, Truss Head - Locking #8-32 x .25"
4	36967.0004	1	Panel, Inner Rear
	01311.0001	6	Screw, Truss Head - Locking #8-32 x .25"
5	36968.0001	1	Panel, Inner Access
	01311.0000	2	Screw, Truss Head #8-32 x .25"
6	42598.1000	1	Bracket, Hinge
	01317.0003	6	Screw, Truss Head - Locking #8-32 x .38"
7	36230.0003	1	Panel, Inner Right
	01311.0001	2	Screw, Truss Head - Locking #8-32 x .25"
8	41950.0000	1	Panel, Right Side
	41952.0000	1	Panel, Left Side
	01311.0003	2	Screw, Truss Head BLK #8-32 x .25"
9	36896.0000	4	Pad, Styro
10	36965.0003	1	Panel, Whipper Motor
	01311.0001	6	Screw, Truss Head - Locking #8-32 x .25"
11	36978.0001	1	Tray, Powder Box
12	36743.0001	1	Cap, Splash Panel Right
	01360.0002	2	Screw, Pan Head #6 x .375"
13	37498.1002	1	Panel W/Decal, Splash (Includes items 12, 14 & 17)
14	28328.0011	1	Decal, Caution-Hot Liquid & Cup
15	36972.1001	1	Panel, Lower Access (Includes item 16)
	01311.0000	3	Screw, Truss Head #8-32 x .25"
16	37478.0000	1	Schematic 120V
17	36743.0000	1	Cap, Splash Panel Left
	01360.0002	2	Screw, Pan Head #6 x .375"
18	36974.0001	1	Shelf, Powder Box
	01311.0001	2	Screw, Truss Head - Locking #8-32 x .25"
	02336.0000	2	Screw, Truss Head #4-40 x .375"
19	02434.0008*	4	Gasket, U-Channel 4.60" (Order item 30)
20	01526.0001	4	Washer, Flat .438" ID x 1.88" OD
21	26528.0000	4	Leg, 4.0" Adjustable
22	42046.0000	1	Panel, Bottom

(Continued)

\* Indicates the part number listed is for reference only. See DESCRIPTION for possible service replacement.

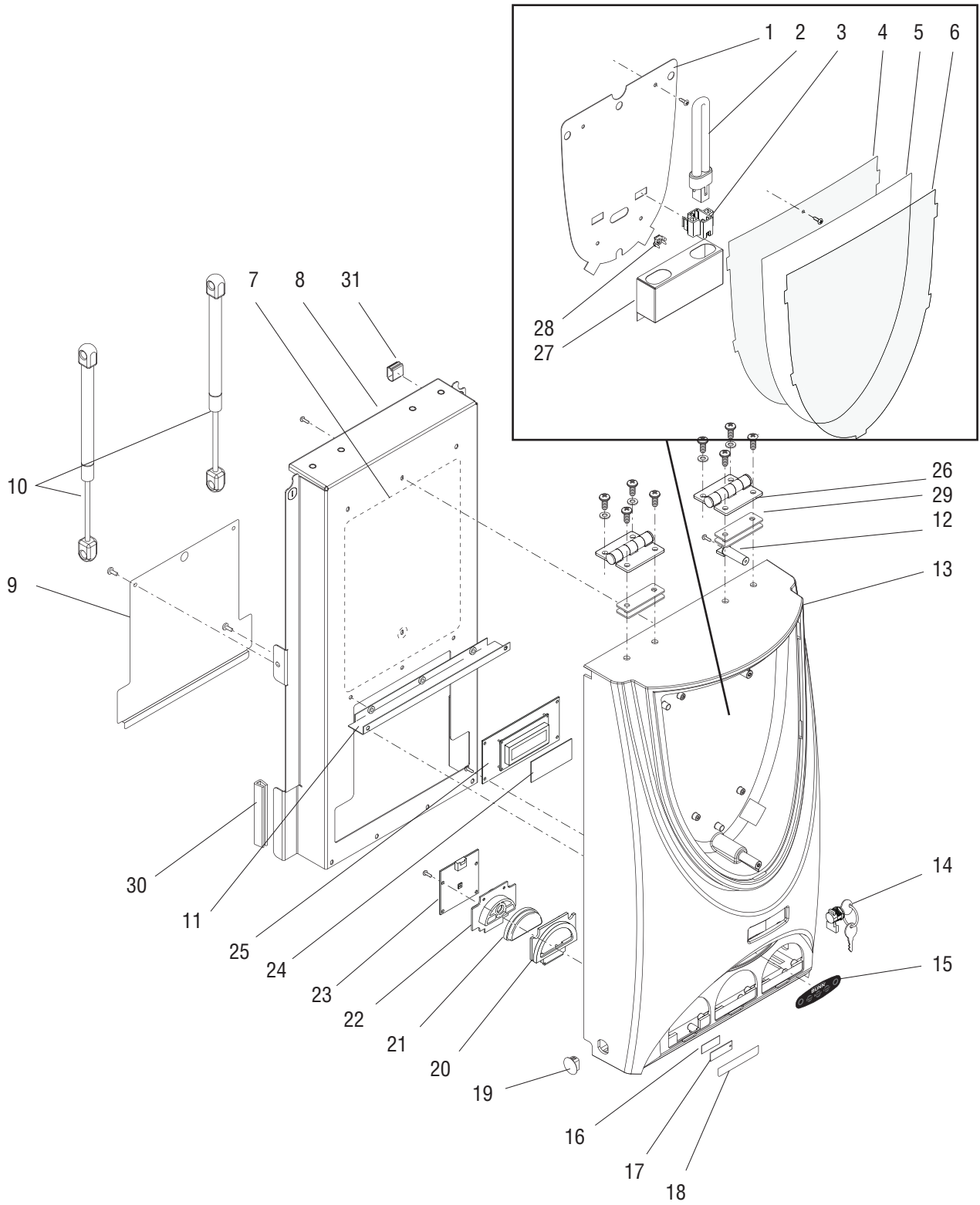
(Continued)



## COVERS AND PANELS

ITEM	PART NO.	QTY.	DESCRIPTION
23	36229.0003	1	Panel, Inner Left
	01311.0001	2	Screw, Truss Head - Locking #8-32 x .25"
24	36961.1001	1	Panel Assembly, Rear - BLK (Includes items 25 and 26)
	01311.0003	10	Screw, Truss Head BLK #8-32 x .25"
25	00831.0000	1	Decal, Warning-Electrical
26	00656.0001	1	Decal, Comply to Plumbing Code
27	37881.0000	4	Decal, No Serviceable Parts
28	00824.0002	1	Decal, Grounding
29	21436.0000	2	Catch, Magnetic Snap-in
30	02434.1000	-	Gasket, U-Channel - 18" LG
	02434.1001	-	Gasket, U-Channel - 36" LG

\* Indicates the part number listed is for reference only. See DESCRIPTION for possible service replacement.





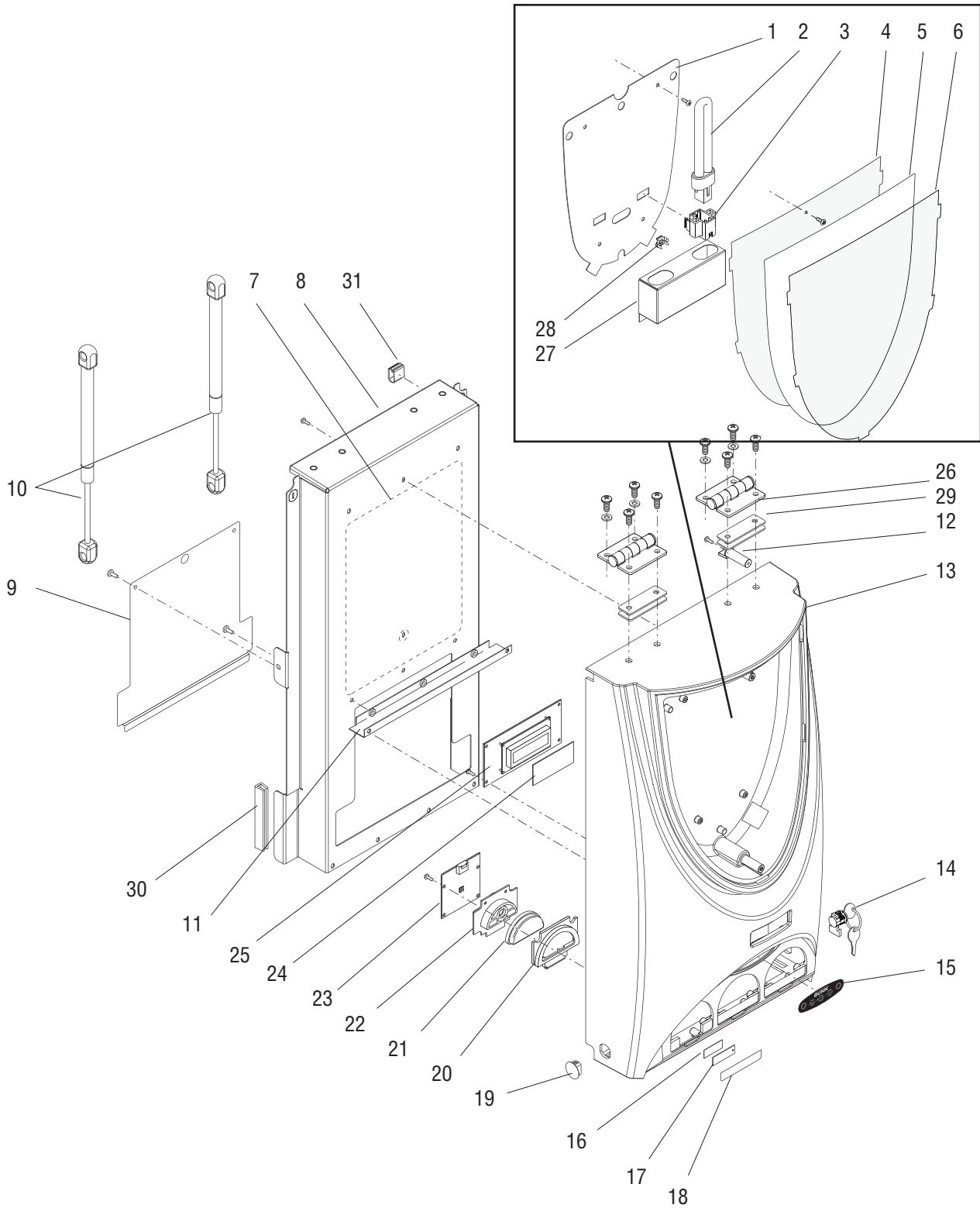
## DOOR, LAMP, DISPENSE SWITCHES AND PANELS

ITEM	PART NO.	QTY.	DESCRIPTION
1	37466.0003	1	Panel, Lamp
	44224.0000	4	Screw, Pan Head Plastite #6 x .375"
2	32806.0000	2	Lamp, Fluorescent - 7 Watts
3	32807.0001	2	Lamp Holder, Fluorescent
4	37456.0000	1	Lens, Fixed
	02336.0000	2	Screw, Truss Head #4-40 x .375"
5	37457.0000	1	Display, Graphics
6	37456.0001	1	Lens, Removable
7	37254.0000	1	Decal, Cleaning
8	41564.0000	1	Panel, Door - Upper (Includes item 7)
	44224.0000	8	Screw, Pan Head Plastite #6 x .375"
	01311.0001	19	Screw, Truss Head Locking #8-32 x .25"
9	36659.0003	1	Panel, Door - Lower
	01311.0000	4	Screw, Truss Head #8-32 x .25"
10	33111.1001	2	Gas Spring
11	36734.0001	1	Bracket, Inner Panel
	44224.0000	2	Screw, Pan Head Plastite #6 x .375"
12	36244.0000	1	Plug, Door Hinge
	44224.0000	1	Screw, Pan Head Plastite #6 x .375"
13	37096.1005	1	Door
14	32863.1000	1	Keylock W/Keys, Door
	28095.0000	1	Key Set
15	36231.0000	1	Switch, Membrane Program
16	41941.0000	3	Strip, Flavor Adhesive
17	36796.0001	3	Strip, Flavor Door
18	41914.0000	3	Decal, Flavor Label Support
19	00669.0004	1	Plug, .75" x .625" hole
20	36762.0000	3	Switch Housing, Single Button
21	36761.0000	3	Cover, Switch
22	36763.0000	3	Switch Pad, Single Button
23	37672.1000	3	Circuit Board Assy, Dispense Button
	44224.0000	12	Screw, Pan Head Plastite #6 x .375"
24	37013.0000	1	Cover, LCD Door Lens
25	36147.1000	1	Circuit Board Assy, Display
	44224.0000	4	Screw, Pan Head Plastite #6 x .375"

(Continued)

\* Indicates the part number listed is for reference only. See DESCRIPTION for possible service replacement.

(Continued)



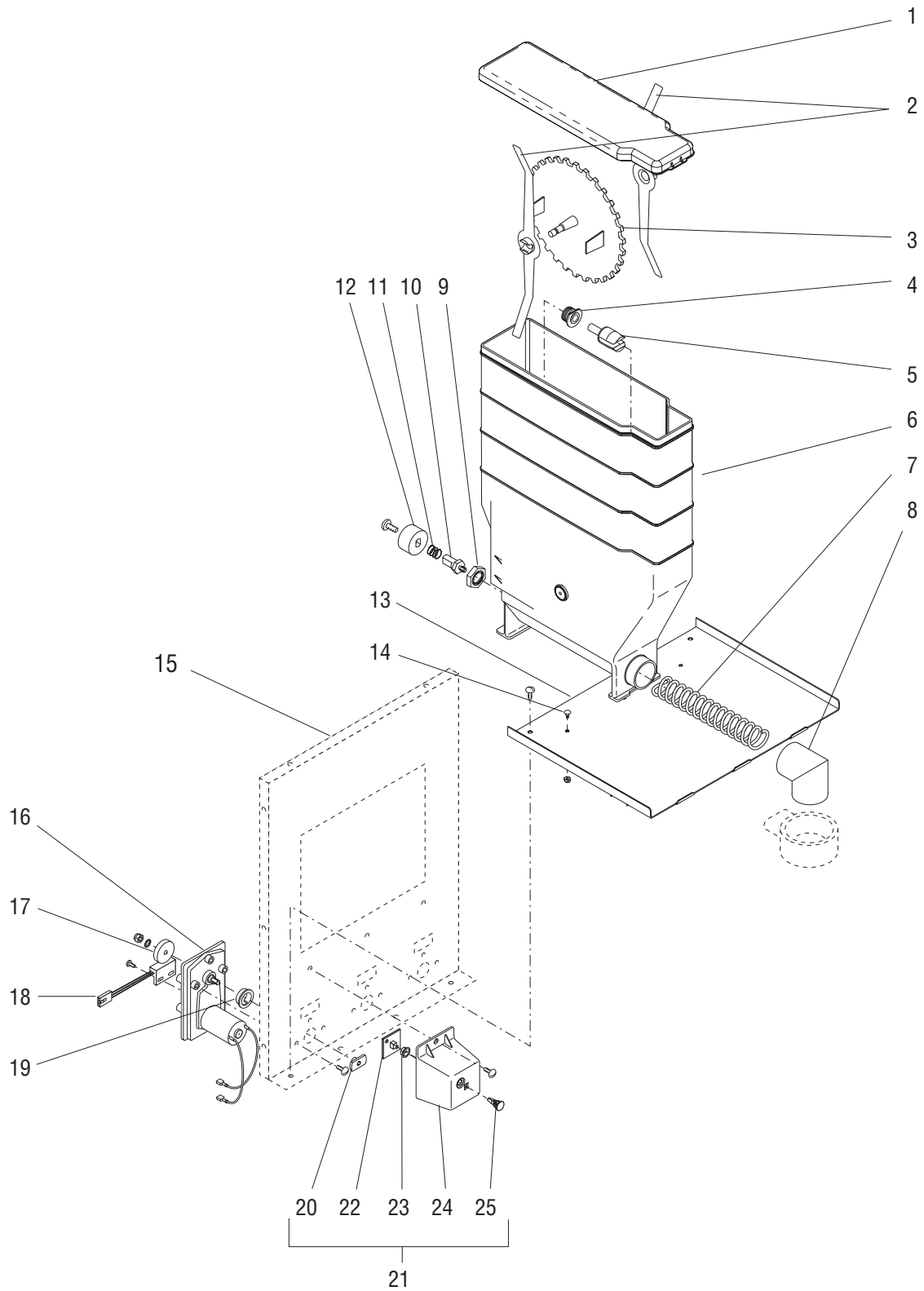
## DOOR, LAMP, DISPENSE SWITCHES AND PANELS

ITEM	PART NO.	QTY.	DESCRIPTION
26	43514.0001	2	Hinge, Tension Series 500
	41923.0000	8	Screw, Pan Head BLK .25-20 x .62"
	41921.0000	4	Washer
27	40032.0000	1	Bracket
28	28335.0000	1	Clip, Grounding
29	44095.0000	4	Shim
30	02434.0005*	2	Gasket, U-channel 3.5" (order item 36)
31	35260.0000	2	Cable Mount

The following items are not illustrated

32	00707.0001	2	Bushing, Strain Relief
33	36888.0002	1	Wiring Harness, Door Interconnect 120V (Includes item 30)
34	36887.0003	1	Wiring Harness, Backlight
35	42596.0001	1	Wrap, Spiral (Door Harness)
36	02434.1000	-	Gasket, U-Channel - 18" LG
	02434.1001	-	Gasket, U-Channel - 36" LG

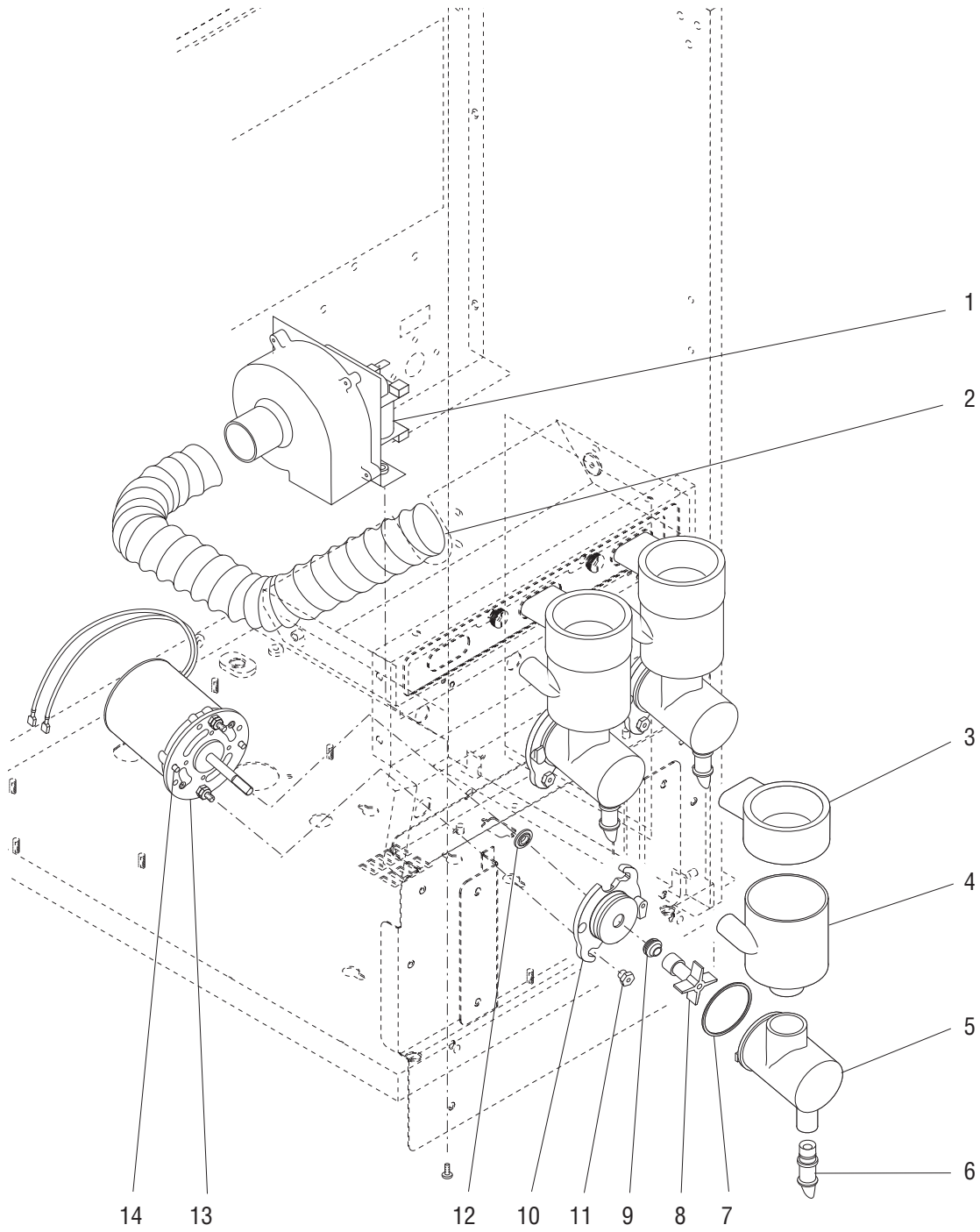
\* Indicates the part number listed is for reference only. See DESCRIPTION for possible service replacement.



## AUGER DRIVE AND HOPPER ASSEMBLY

ITEM	PART NO.	QTY.	DESCRIPTION
-	37010.1001	1	Hopper Assy (Includes one each of items 1-12)
1	36653.0001	3	Lid, Hopper
2	32337.0000	6	Mixing Blade
3	32386.0001	3	Disk, Agitator (30 Tooth)
4	28067.0000	3	Bushing, Auger Drive Shaft
5	26940.0002	3	Shaft, Auger Drive
6	37011.0001	3	Hopper
7	39442.0000	3	Auger, Wire
8	25903.0000	3	Elbow, Ejector
9	25743.0000	3	Locknut
10	37539.1000	3	Shaft, Auger Drive
11	36774.0000	3	Spring, Hopper Coupling
12	36770.0000	3	Coupling, Auger Drive
	01326.0002	3	Screw, Truss Head #10-32 x .25"
13	36970.0000	1	Panel, Hopper Support
	01311.0000	2	Screw, Truss Head #8-32 x .25" Locking
14	20960.0000	3	Screw, Shoulder #6-32 x .375"
	00991.0002	3	Nut, Elastic Lock #6-32
15	-----	-	See COVERS & PANELS
16	37037.0000	3	Gearmotor Assy, Auger (Each includes items 17 thru 20)
	01311.0000	9	Screw, Truss Head #8-32 x .25"
17	32654.0000	1	Magnet Hub, 8 Pole #10 ID x 1.0" OD
	01512.0000	1	Lockwasher, Ext Tooth #10
	00991.0003	1	Nut, Elastic Lock #10-32
18	33608.1000	1	Sensor Assy, RPM
	02336.0000	2	Screw, Truss Head #4-40 x .38"
19	26401.0000	1	Dust Seal, Hopper Motor
20	36773.0000	1	Plate, Auger Drive
21	37682.0000	3	Housing Assy, Sensor CB (Each includes items 22 thru 25)
	01315.0000	3	Screw, Truss Head #8-32 x .38"
22	36114.1000	1	CB Assy, Powder Sensor (Order item 21)
23	00970.0000	1	Nut, Keps #8-32
24	36243.0000	1	Housing Sensor CB
25	36764.0000	3	Spacer, Circuit Board
26	35260.0000	3	Cable Mount, Adhesive (Not Illustrated)

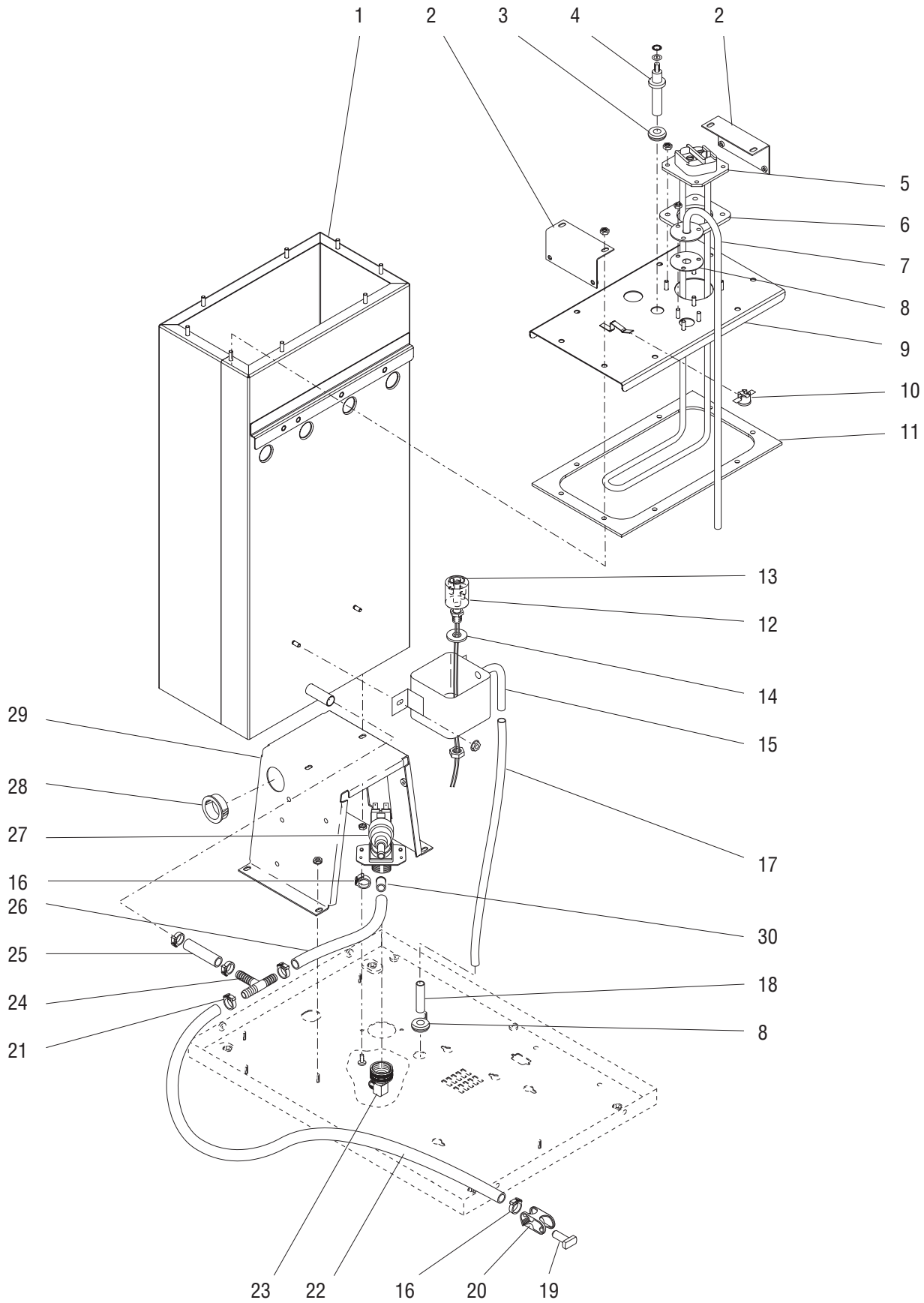
\* Indicates the part number listed is for reference only. See DESCRIPTION for possible service replacement.



## MIXING/WHIPPER CHAMBERS AND DRIVE MOTOR

ITEM	PART NO.	QTY.	DESCRIPTION
1	28295.0000	1	Fan & Bracket Assembly 120V
	01311.0001	2	Screw, Truss Head - Locking #8-32 x .25"
2	28297.0001	1	Hose, Vacuum
3	25732.0000	3	Steam Collector
4	25733.0003	3	Mixing Chamber
5	25734.1000	3	Whipper Chamber
6	25736.0001	3	Dispense Tip, Red
7	24733.0010	3	O-Ring
8	25902.0000	3	Frother
9	26356.0000	3	Seal, Shaft
	26356.1000	-	Kit, Shaft Seal (Includes 6 Seals)
10	28866.0000	3	Receptacle, Whipper Chamber
11	28865.0000	6	Nut, Whipper Motor/Receptacle Mounting
12	28867.0000	3	Slinger
13	28428.1000	3	Motor, Whipper 120V (Includes item 14)
14	32306.0000	6	Spacer
15	32906.0001	-	Kit, Preventive Maintenance (Includes items 3 thru 10 and 25903.0000 Elbow)

\* Indicates the part number listed is for reference only. See DESCRIPTION for possible service replacement.





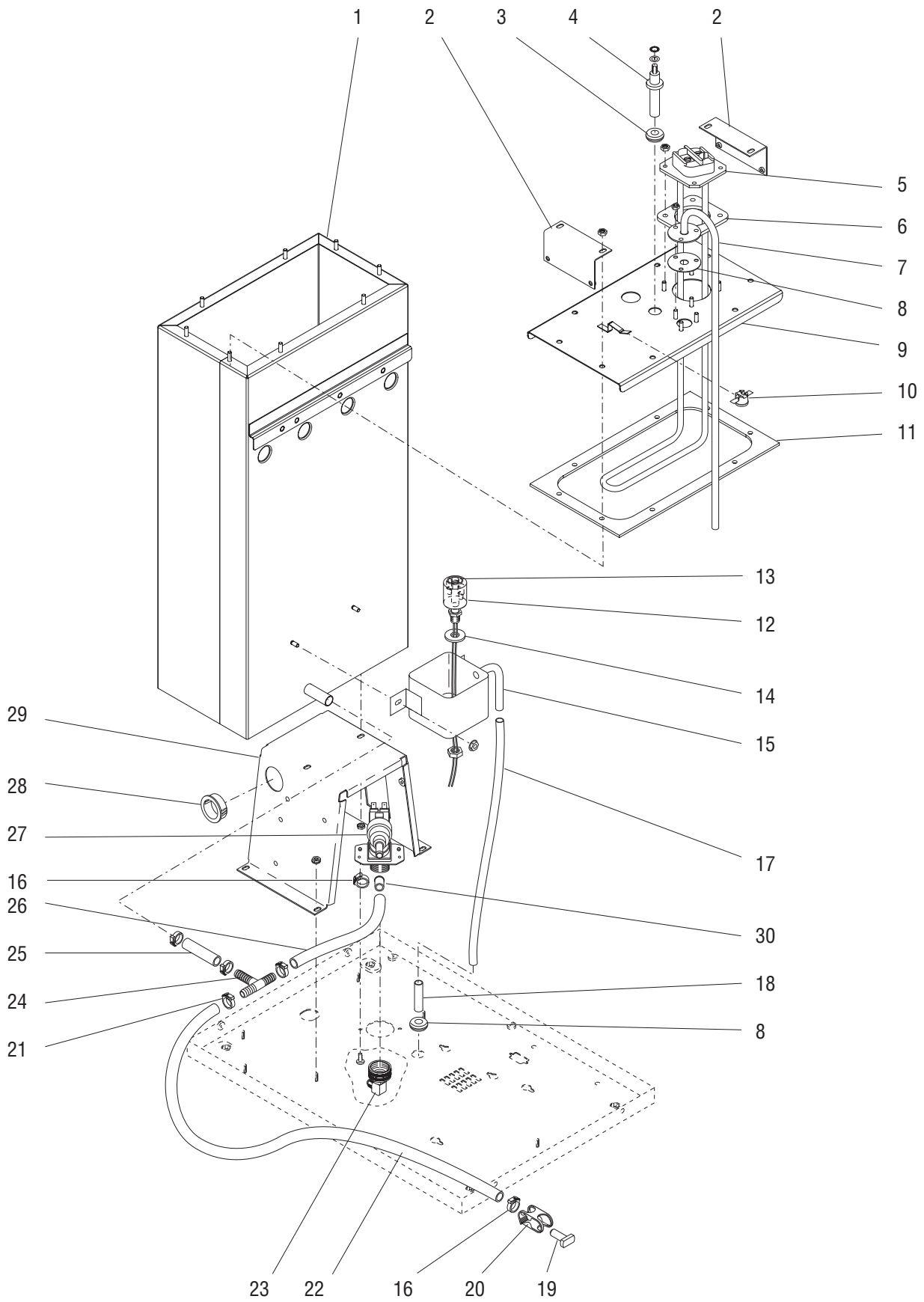
## TANK, HEATER AND OVERFLOW PROTECTION

ITEM	PART NO.	QTY.	DESCRIPTION
1	37098.1004	1	Tank, Squared
	00970.0000	2	Nut, Keps #8-32
2	36226.0000	2	Bracket, Tank Mounting Upper
	00970.0000	4	Nut, Keps #8-32
3	02536.0000	2	Grommet, .375" I.D.
4	20936.1000	1	Probe Kit (Includes items indented below)
	20203.0100	1	Lockwasher, Internal Tooth #8
	01501.0000	3	Washer, Flat .164" ID x .375" OD
	00908.0000	1	Nut, #8-32
5	36741.1000	1	Tank Heater, 1700W 120V (Includes item 6)
	00908.0000	4	Nut, #8-32
6	12398.0000	1	Gasket, Tank Heater
7	36220.0000	1	Tube, Overflow
	00908.0000	3	Nut, #8-32
8	05515.0000	1	Gasket, Overflow Tube
9	35940.0002	1	Lid, Squared Tank
	00908.0000	4	Nut, Hex #8-32
10	29329.1000	1	Thermostat, Limit
11	35937.0003	1	Gasket, Squared Tank Lid
12	03803.0002	1	Switch Assy, Liquid Level (Includes items 13 & 14)
	00946.0000	1	Nut, Hex .125" FPT
13	03807.0000	1	Clip, Spring
14	03633.0000	1	Gasket, Float Switch
15	41259.1003	1	Overflow Cup
	00970.0000	2	Nut, Keps #8-32
	41266.0000	1	Film
	41280.0001	1	Elbow
	04797.0000	1	Washer
16	12422.0001	2	Clamp, Hose .59"/.66" ID
17	28526.0028*	1	Tube, Silicone .312" ID x 9.5" (Order item 31)
18	21801.0002	1	Tube .375" O.D. x 1.50" LG
19	34392.0000	1	Plug, Hose .375" ID
20	11630.0001	1	Clamp, Shut Off
21	12422.0005	4	Clamp, Hose .62"/.71" ID
22	20976.0056*	1	Tube, Silicone .375" ID x 28.0" (Order item 32)

(continued)

\* Indicates the part number listed is for reference only. See DESCRIPTION for possible service replacement.

(continued)

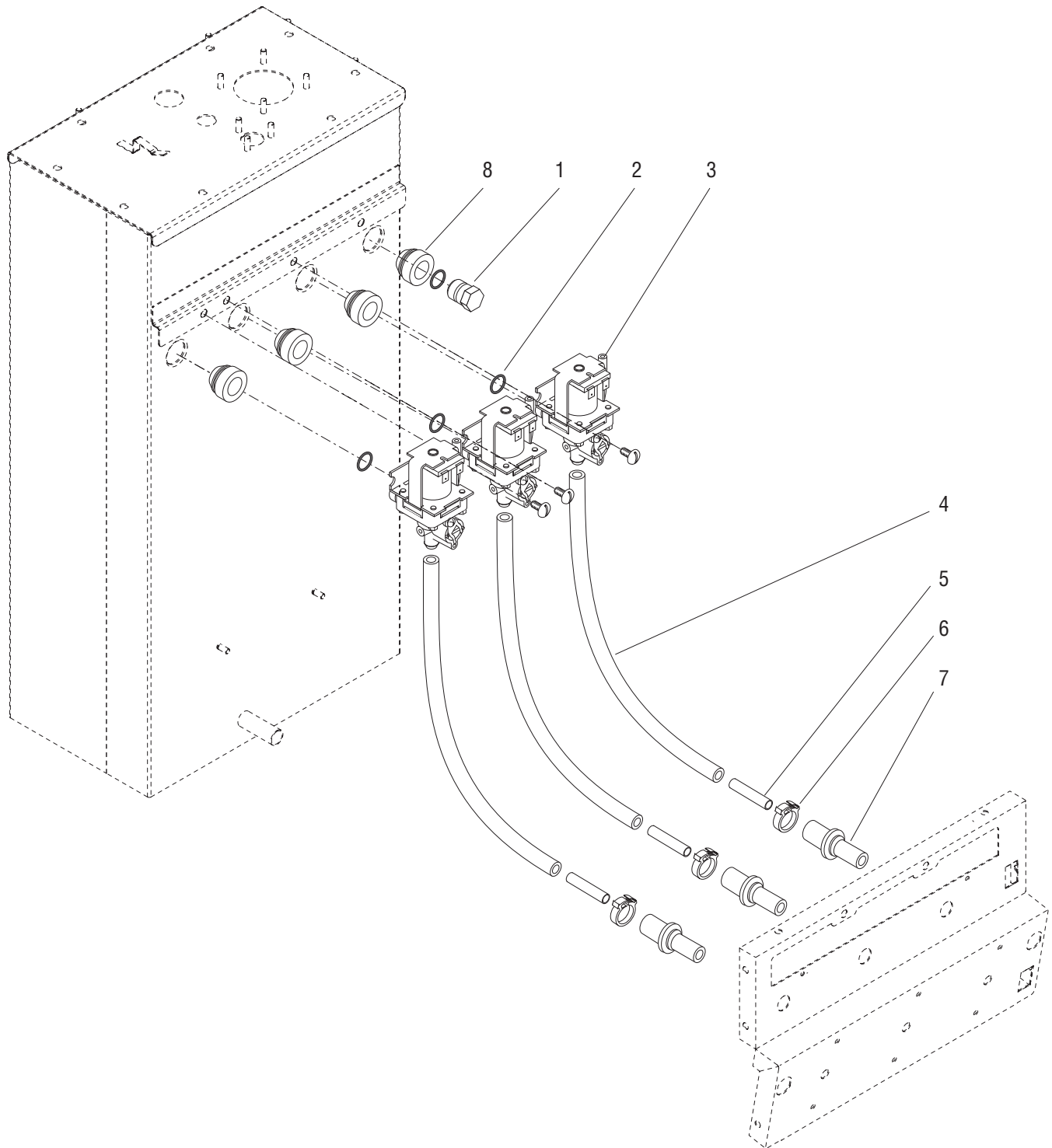


## TANK, HEATER AND OVERFLOW PROTECTION

ITEM	PART NO.	QTY.	DESCRIPTION
23	37297.0006	1	Elbow, .25" Flare x .75" FTHRD
24	38948.0000	1	Tee, .50" Barb
25	20976.0017*	1	Tube, Silicone .375" ID x 2.0" (Order item 32)
26	20976.0055*	1	Tube, Silicone .375" ID x 9.0" (Order item 32)
27	36233.1000	1	Valve, Water Inlet 120V (See item 35)
	32283.0000	2	Screw, Pan Head M4 x 6MM
28	01592.0001	1	Bushing, Snap 1.18" Dia. Hole
29	37099.0000	1	Bracket, Tank Mounting Lower
	00970.0000	4	Nut, Keps #8-32
30	37368.0001	1	Valve, Check 2.5 psi
31	28526.1000	-	Tube, Silicone .312" ID x .562" OD x 12"
	28526.1001	-	Tube, Silicone .312" ID x .562" OD x 36"
	28526.1002	-	Tube, Silicone .312" ID x .562" OD x 60"
	28526.1003	-	Tube, Silicone .312" ID x .562" OD x 120"
32	20976.1000	-	Tube, Silicone, .375" ID x .50" OD x 12.0"
	20976.1001	-	Tube, Silicone, .375" ID x .50" OD x 36.0"
	20976.1002	-	Tube, Silicone, .375" ID x .50" OD x 120.0"
33	35946.0002	1	Baffle
34	34572.0000	2	Panel, Baffle Insert
	34765.0000	4	Nut, Flanged #10-32
35	43644.0000	-	Kit, Valve Rebuild

} Not Illustrated

\* Indicates the part number listed is for reference only. See DESCRIPTION for possible service replacement.

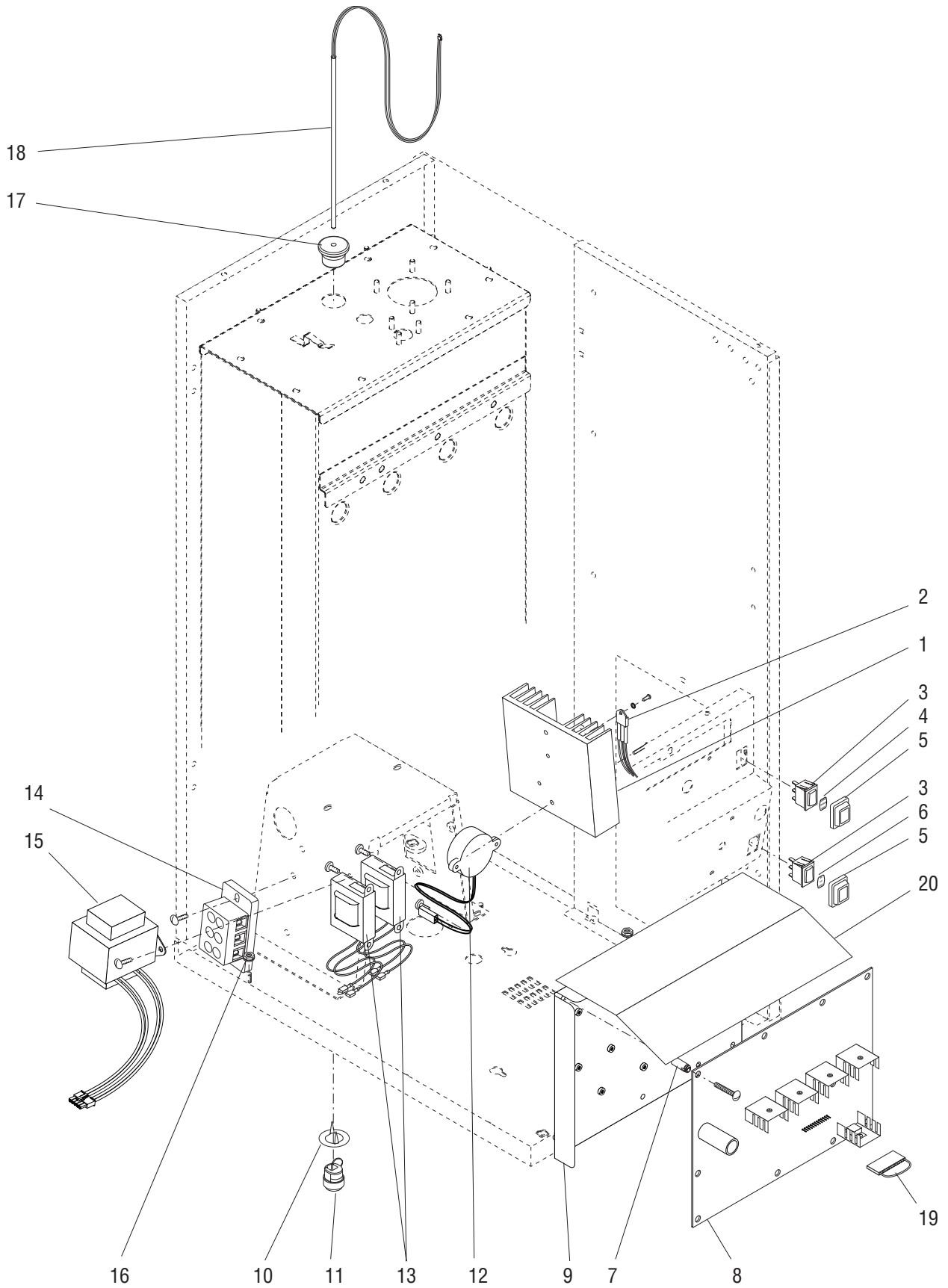


## DISPENSE VALVES AND LINES

ITEM	PART NO.	QTY.	DESCRIPTION
1	26369.1000	1	Plug (Includes item 2)
2	24733.0011	4	O-Ring
3	39285.1001	3	Valve, Liquid Dispense 120V (Includes item 2)
	01326.0000	3	Screw, Truss Head #10-32 x .25"
4	28526.0027*	3	Tube, Silicone .312" ID x 16.5" (Order item 9)
5	21801.0002	3	Tube .375" OD x 1.50"
6	12422.0001	3	Clamp, Hose .59"/.66" ID
7	25803.0000	3	Water Inlet, Mixing Chamber
8	37970.0000	4	Grommet
9	28526.1001	-	Tube, Silicone .312" I.D. x .438" O.D. x 36"
	28526.1002	-	Tube, Silicone .312" I.D. x .438" O.D. x 60"
	28526.1003	-	Tube, Silicone .312" I.D. x .438" O.D. x 120"
10	45964.1000	-	Repair Kit, Dispense Valve (Includes Spring, Plunger, and Diaphragm)

} Not  
Illustrated

\* Indicates the part number listed is for reference only. See DESCRIPTION for possible service replacement.



## ELECTRICAL CONTROLS

ITEM	PART NO.	QTY.	DESCRIPTION
1	20541.0001	1	Heat Sink
	01347.0000	2	Screw, Truss Head #6-32 x .375"
2	12565.1035	1	Triac Assy, 120V, 40 Amp (also order item 26)
	01520.0000	1	Lockwasher, Split #6
	02328.0003	1	Screw, Pan Head #6-32 x .312"
3	27437.0001	2	Switch, Rocker NORMAL/PROGRAM/RINSE and ON/OFF/NIGHT
4	37192.0000	1	Decal, Switch - NORMAL/PROGRAM/RINSE
5	34390.0000	2	Cap, Rocker Switch
6	37193.0000	1	Decal, Switch - ON/OFF/NIGHT
7	29081.0004	10	Spacer, .153" ID x .62" LG
8	37104.1000	1	Control Board Assy, Main
	01382.0008	10	Screw, Truss Head #6-32 x 1.0"
9	36976.0002	1	Bracket, Component Mounting
	01311.0001	2	Screw, Truss Head Locking #8-32 x .25"
10	00715.0000	1	Adapter Washer, Strain Relief 120V
11	00713.0000	1	Bushing, Strain Relief 120V
12	33147.0002	1	Audio Indicator Assy
	01382.0000	2	Screw, Truss Head #6-32 x .375"
13	28327.0002	2	Ballast, 120V-60HZ W/Terminals
	01382.0000	4	Screw, Truss Head #6-32 x .375"
14	07038.0000	1	Terminal Block, 120V
	01317.0000	2	Screw, Truss Head #8-32 x .50"
15	34829.0001	1	Transformer Assy, 120V to 24V
	01317.0000	2	Screw, Truss Head #8-32 x .50"
16	00970.0000	2	Nut, Ground Keps #8-32
17	33801.0003	1	Grommet, Temp Sensor
18	39085.0002	1	Probe, Temperature
19	37780.0001	1	Jumper
20	46640.0000	1	Drip Shield

The following items are not illustrated

21	20630.0007	1	Cord Assembly, Power 120V
22	36849.0000	1	Wiring Harness, Power 120V
23	36850.0000	1	Wiring Harness, Switch
24	36844.0005	1	Wiring Harness, I/O Head #1
25	36844.0006	1	Wiring Harness, I/O Head #2
26	36844.0007	1	Wiring Harness, I/O Head #3
27	M2522.1000	-	Heat Sink Compound

\* Indicates the part number listed is for reference only. See DESCRIPTION for possible service replacement.

NUMERICAL INDEX

PART NO.	PAGE NO.	PART NO.	PAGE NO.	PART NO.	PAGE NO.	PART NO.	PAGE NO.
00656.0001.....	7	20976.1001.....	19	34572.0000.....	19	37099.0000.....	19
00669.0004.....	9	20976.1002.....	19	34765.0000.....	19	37104.1000.....	23
00707.0001.....	11	21436.0000.....	7	34829.0001.....	23	37192.0000.....	23
00713.0000.....	23	21801.0002.....	17,21	35260.0000.....	11,13	37193.0000.....	23
00715.0000.....	23	24733.0010.....	15	35926.0000.....	5	37254.0000.....	9
00824.0002.....	7	24733.0011.....	21	35937.0003.....	17	37297.0006.....	19
00831.0000.....	7	25732.0000.....	15	35940.0002.....	17	37368.0001.....	19
00908.0000.....	17	25733.0003.....	15	35946.0002.....	19	37456.0000.....	9
00946.0000.....	17	25734.1000.....	15	36114.1000.....	13	37456.0001.....	9
00970.0000.....	13,17,19,23	25736.0001.....	15	36147.1000.....	9	37457.0000.....	9
00991.0002.....	13	25743.0000.....	13	36220.0000.....	17	37466.0003.....	9
00991.0003.....	13	25803.0000.....	21	36226.0000.....	17	37478.0000.....	5
01311.0000.....	5,9,13	25902.0000.....	15	36229.0003.....	7	37498.1002.....	5
01311.0001.....	5,7,9,15,23	25903.0000.....	13	36230.0003.....	5	37539.1000.....	13
01311.0003.....	5,7	26356.0000.....	15	36231.0000.....	9	37672.1000.....	9
01315.0000.....	13	26356.1000.....	15	36233.1000.....	19	37682.0000.....	13
01317.0000.....	23	26369.1000.....	21	36243.0000.....	13	37780.0001.....	23
01317.0003.....	5	26401.0000.....	13	36244.0000.....	9	37881.0000.....	7
01326.0000.....	21	26528.0000.....	5	36653.0001.....	13	37970.0000.....	21
01326.0002.....	13	26940.0002.....	13	36659.0003.....	9	38948.0000.....	19
01347.0000.....	23	27437.0001.....	23	36734.0001.....	9	39085.0002.....	23
01360.0002.....	5	28067.0000.....	13	36741.1000.....	17	39285.1001.....	21
01382.0000.....	23	28095.0000.....	9	36743.0000.....	5	39442.0000.....	13
01382.0008.....	23	28295.0000.....	15	36743.0001.....	5	40032.0000.....	11
01501.0000.....	17	28297.0001.....	15	36761.0000.....	9	41259.1003.....	17
01512.0000.....	13	28327.0002.....	23	36762.0000.....	9	41266.0000.....	17
01520.0000.....	23	28328.0011.....	5	36763.0000.....	9	41280.0001.....	17
01526.0001.....	5	28335.0000.....	11	36764.0000.....	13	41564.0000.....	9
01592.0001.....	19	28428.1000.....	15	36770.0000.....	13	41577.0001.....	5
02328.0003.....	23	28526.0027.....	21	36773.0000.....	13	41914.0000.....	9
02336.0000.....	5,9,13	28526.0028.....	17	36774.0000.....	13	41921.0000.....	11
02434.0005.....	11	28526.1000.....	19	36796.0001.....	9	41923.0000.....	11
02434.0008.....	5	28526.1001.....	19,21	36844.0005.....	23	41941.0000.....	9
02434.1000.....	7,11	28526.1002.....	19,21	36844.0006.....	23	41950.0000.....	5
02434.1001.....	7,11	28526.1003.....	19,21	36844.0007.....	23	41952.0000.....	5
02536.0000.....	17	28865.0000.....	15	36849.0000.....	23	42046.0000.....	5
03633.0000.....	17	28866.0000.....	15	36850.0000.....	23	42596.0001.....	11
03803.0002.....	17	28867.0000.....	15	36887.0003.....	11	42598.1000.....	5
03807.0000.....	17	29081.0004.....	23	36888.0002.....	11	43644.0000.....	19
04797.0000.....	17	29329.1000.....	17	36896.0000.....	5	44095.0000.....	11
05515.0000.....	17	32283.0000.....	19	36958.0001.....	5	44224.0000.....	9
07038.0000.....	23	32306.0000.....	15	36961.1001.....	7	45964.1000.....	21
11630.0001.....	17	32337.0000.....	13	36965.0003.....	5	46640.0000.....	23
12398.0000.....	17	32386.0001.....	13	36967.0004.....	5	M2522.1000.....	23
12422.0001.....	17,21	32654.0000.....	13	36968.0001.....	5		
12422.0005.....	17	32806.0000.....	9	36970.0000.....	13		
12565.1035.....	23	32807.0001.....	9	36972.1001.....	5		
20203.0100.....	17	43514.1000.....	11	36974.0001.....	5		
20541.0001.....	23	32863.1000.....	9	36976.0002.....	23		
20630.0007.....	23	32906.0001.....	15	36978.0001.....	5		
20936.1000.....	17	33111.1001.....	9	37010.1001.....	13		
20960.0000.....	13	33147.0002.....	23	37011.0001.....	13		
20976.0017.....	19	33608.1000.....	13	37013.0000.....	9		
20976.0055.....	19	33801.0003.....	23	37037.0000.....	13		
20976.0056.....	17	34390.0000.....	23	37096.1005.....	9		
20976.1000.....	19	34392.0000.....	17	37098.1004.....	17		