

AXIOM™ 12 Cup Automatic Coffee Brewer with 6 Warmers

Features

AXIOM Automatic Coffee Brewer

- Twin brew head systems.
- Brews 15 gallons (56.8 litres) of perfect coffee per hour.
- Six individually controlled warming stations.
- For high lime areas, BrewLOGIC™ technology calculates flow rate and adjusts brew time to maintain consistent pot levels.
- BrewWIZARD™ technology simplifies brewer programming with a LCD display. Set brew level, cold brew lock-out and tank temperature from the front of the machine.
- Ensures coffee brew quality with cold brew lock out capability.
- All stainless steel construction.
- Includes hot water faucet.
- SplashGard® funnel deflects hot liquids away from the hand.
- Digital temperature control and accuracy.
- Electronic diagnostics and built-in tank drain make service easier.
- Coffee extraction controlled with programmable pre-infusion and pulse brew.
- Energy-saver mode reduces tank temperature during idle periods.



Model AXIOM 0/6 Twin

(decanters sold separately)

Dimensions: 20.5" H x 30.3" W x 17.7" D
(52.1cm H x 77cm W x 45cm D)

For current specification sheets and other information, go to www.bunn.com.

Related Products

Easy Clear® EQHP-10
Product No.: 39000.0004



Easy Clear® EQHP-10L
Product No.: 39000.0001

Easy Clear® Scale Pro
Product No.: 39000.0010

Paper Filter Pack
Product No. : 20115.0000
Packed per case: 1,000



Dimensions: 4¼" Base x 2¾" Sidewall
10.8 cm Base x 6.98 cm Sidewall

Easy Pour® black decanter
Product No. : 06100.0101

Quantity: 1 (also packaged in quantities of 2, 3, 6, 12, & 24)



Easy Pour® orange decanter (for decaf)

Product No. : 06101.0101
Quantity: 1 (also packaged in quantities of 2, 3, 6, 12, & 24)



1GPR SS Portable Server on an RWS1 Warmer
1GPR Product No. : 12487.0001*
RWS1 Product No. : 12203.0010
**Also available with side handles or black decor.*



Gourmet C Funnel
Product No.: 34559.0001 (7.62 inch width)

- Universal design – handle may be moved to appropriate side
- Allows brewing with heavier throw weights of coffee.
- Paper Filter Pack
Product No. : 20100.0000
Packed per case: 1,000



Model

AXIOM 0/6 Twin

Agency Listing



Dimensions & Specifications

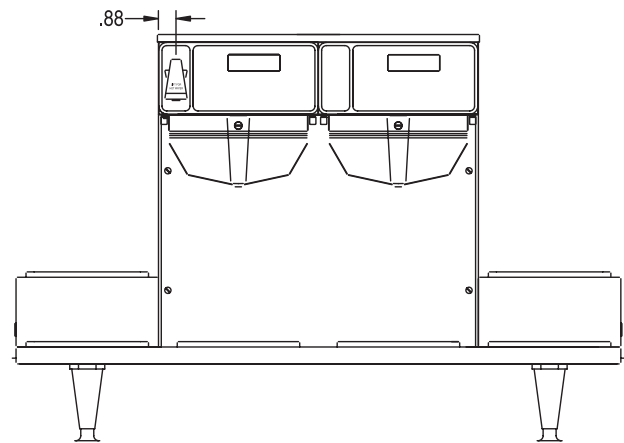
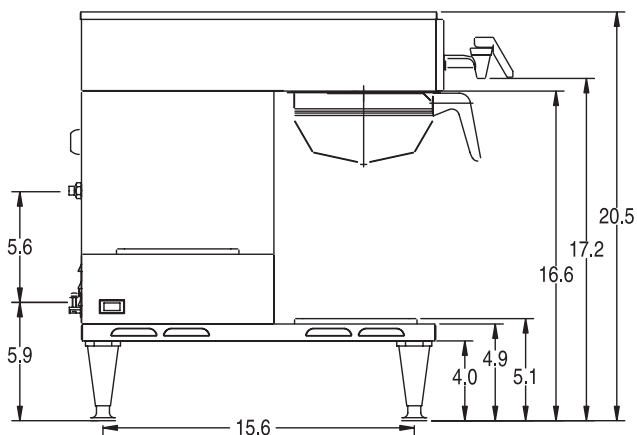
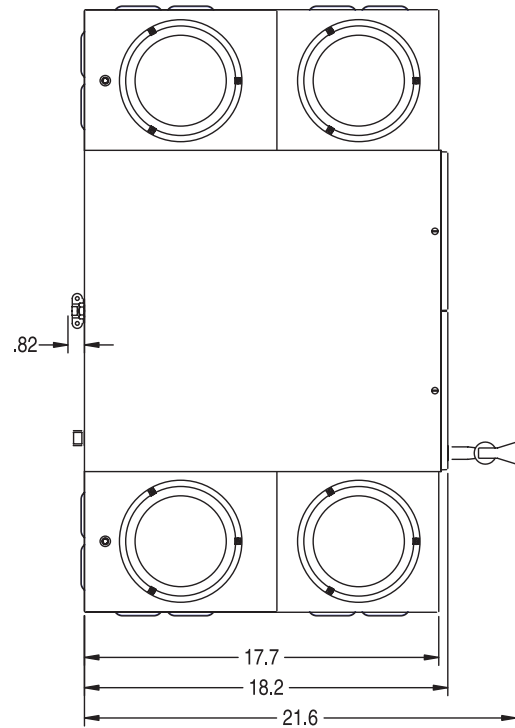
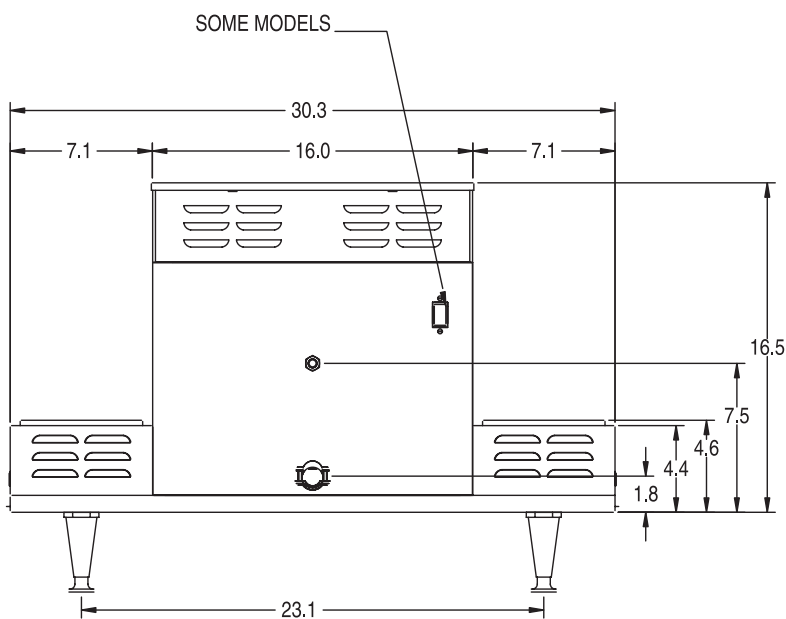
Model	Product #	Volts	Amps	Tank Heater Watts	Total Watts	Brewing Capacity	Cu. Ft.	Shipping Weight	Cord Attached
AXIOM 0/6 Twin	38700.0015	120/208-240	27.9	2 @ 3000	6700	15.0 gal./hr.	11.64	74 lbs. (33.6 kg)	No

Brewing capacity: based upon incoming water temp of 60°F (140°F rise) per 1/2 gallon brew time of 4 minutes.

Models listed as 120/208V or 120/240V must be connected to 208V or 240V electrical service respectively. Please refer to the installation manual.

Electrical: 3-wires plus ground, single phase, 60 Hz.

Plumbing: 20-90 psi (138-621 kPa). Machine supplied with 3/8" male flare fitting.



Bunn-O-Matic® Corporation - 1400 Stevenson Drive Springfield, Illinois 62703 • 800-637-8606 • 217-529-6601 • Fax 217-529-6644 • www.bunn.com

BUNN® practices continuous product research and improvement. We reserve the right to change specifications and product design without notice. Such revisions do not entitle the buyer to corresponding changes, improvements, additions or replacements for previously purchased equipment.

All dimensions shown in inches.

8/07 © Bunn-O-Matic Corporation