



Gourmet Coffee Grinders - Instructions

Important Safeguards/Conventions

This appliance is designed for commercial use. Any servicing other than cleaning and maintenance should be performed by an authorized Wilbur Curtis service center.

- Do NOT immerse the unit in water or any other liquid
- To reduce the risk of fire or electric shock, do NOT open top panel. No user serviceable parts inside. Repair should be done only by authorized service personnel.
- Keep hands and other items away from hot parts of unit during operation.
- Never clean with scouring powders or harsh implements.

Conventions



WARNINGS – To help avoid personal injury



Important Notes/Cautions – from the factory

Models Included

- GSG-3BLK
- GSG-3RED



CAUTION: Please use this setup procedure before attempting to use

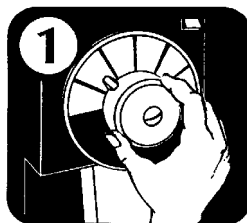
this grinder. Failure to follow the instructions can result in injury or the voiding of the warranty.

Quick Start & Setup

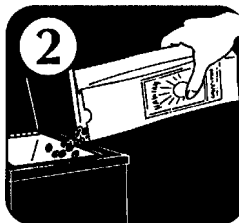
SETUP

1. Read this manual before attempting to operate the GSG coffee grinder.
2. Unpack the carton contents carefully. Inspect the container at the time of delivery for visual or concealed damage. The carrier must be notified immediately in case of punctured or damaged cartons.
3. Install the grinder on a firm, level base in a location where it can be connected to a grounded electrical outlet of 120VAC, rated at 15 amps.
4. Test the unit by running some whole bean coffee through the grinder. If any problems are encountered, refer to the troubleshooting section complete at www.wilburcurtis.com or call Technical Service at 800-995-0417.

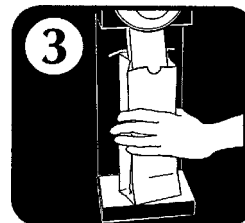
Operating the GSG Grinder



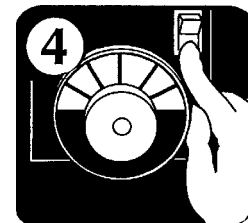
Select the kind of grind desired by turning the selector knob on the face of the grinder.



Pour whole bean coffee through the door on top of the grinder.



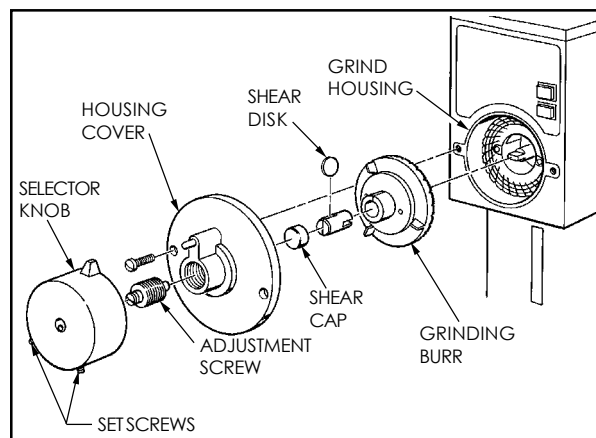
Place your coffee bag under the spout. Lift the bag upward.



Push the start switch. When coffee beans are finished grinding, lowering the bag will stop the motor.

Changing a Broken Shear Disk

1. Unplug the power cord.
2. Empty the hopper of beans.
3. Remove the housing cover, held in place by two slotted screws.
4. Take off the shear cap. Pull out the feed worm/grinding burr assembly. These parts are slipped together and usually come out in one piece.
5. Discard the broken shear disk.
6. Clean out the housing. Look for and remove any debris that may have caused the shear disk to snap.
7. Reinsert the feed worm/grinding burr assembly on the motor shaft.
8. Slide the shear drive through the center hole on the feed worm/grinding burr assembly. The end with the large slot goes in first. Align this slot with the tongue on the motor shaft as you push in the shear drive.
9. Rotate feed worm/grinding burr assembly to align the narrow slot with the narrow slot on the shear drive.
10. Insert a new shear disk into this slot and cover with the shear cap.
11. Clean off the inside surfaces of the housing cover. Replace the housing cover. If the housing cover doesn't seat properly, the shear drive is probably not aligning with the motor shaft (repeat step 8).
12. Plug in the power cord.



ISO 9001 REGISTERED

WILBUR CURTIS COMPANY
Montebello, CA 90640

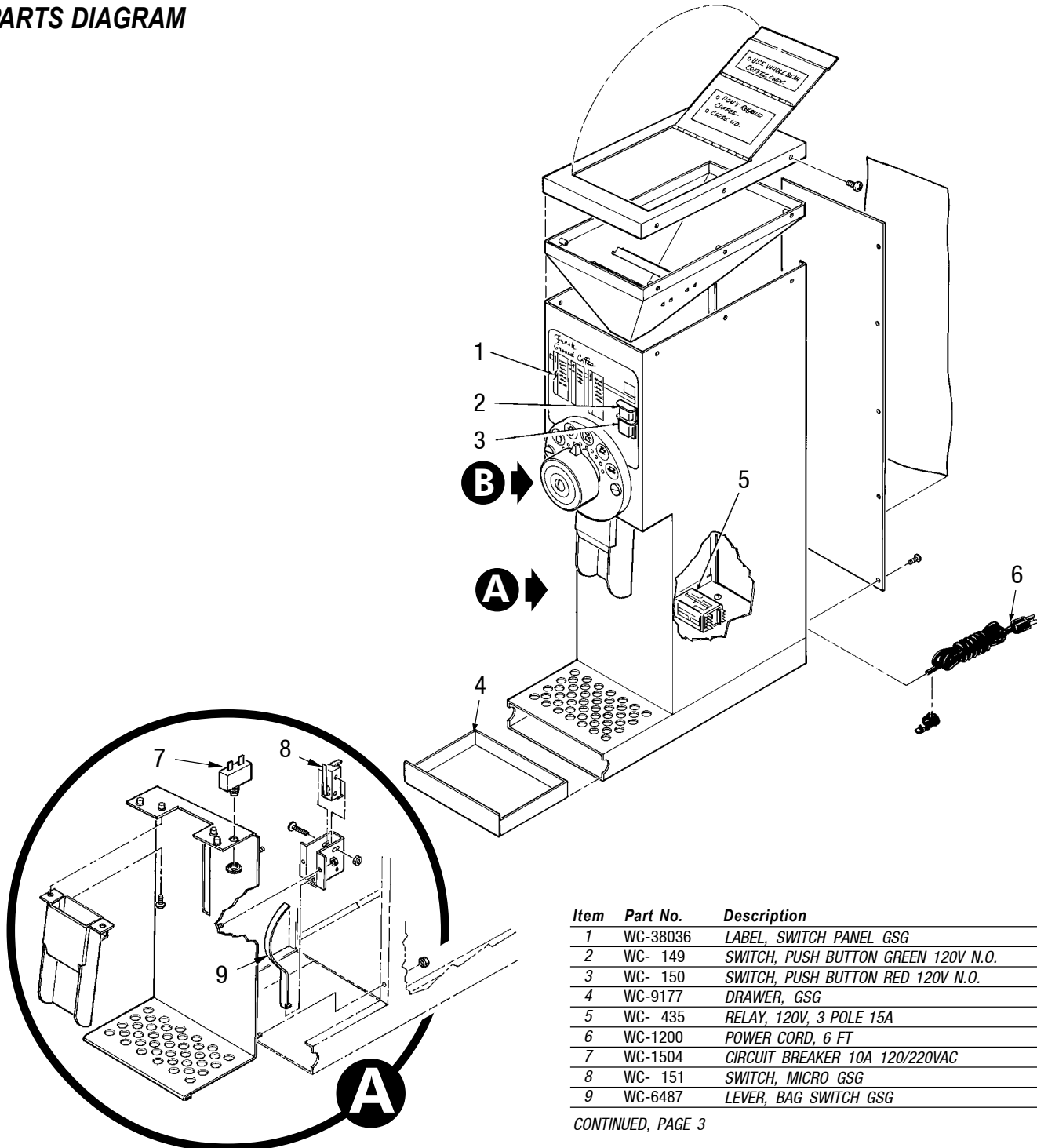
Adjusting the Grind Texture

1. Empty the hopper of coffee beans.
2. Turn the selector knob clockwise as far as you can, to the ESPRESSO position.
3. Locate the two set screws, under the selector knob. Use an 1/8th inch Allen wrench; loosen these screws one turn to free the knob from the adjusting screw.
4. Run the grinder. Turn the adjusting screw slowly clockwise until you hear the grinding burrs making a clicking noise. Back off on the adjusting screw 1/8th turn.
5. Tighten the set screws on the selector knob, your finest adjustment on the selector scale, ESPRESSO, is now set and the rest of the dial positions will be accurate.

Cleaning

1. Clean the painted outside case of the grinder with a cloth dampened with dishwashing detergent and water. Dry thoroughly with a soft cloth.
2. Clean the stainless steel front area of the grinder with a stainless steel polish.
3. Clean the inside of the hopper with a dry cloth.
4. Use a stiff brush to remove debris from the housing (see REPLACING A BROKEN SHEAR DISK for opening the grind housing). Keep moisture out of this area.

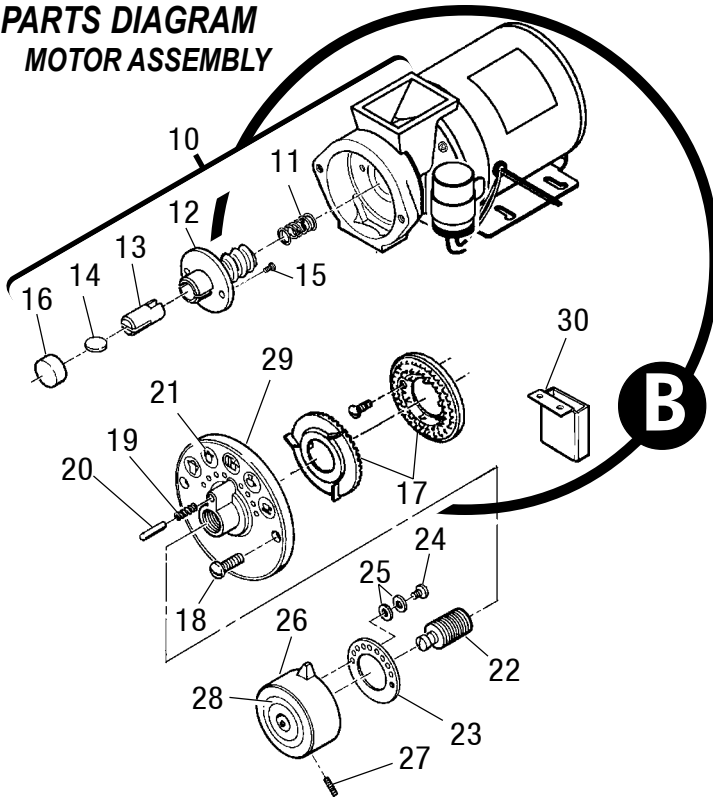
PARTS DIAGRAM



Item	Part No.	Description
1	WC-38036	LABEL, SWITCH PANEL GSG
2	WC- 149	SWITCH, PUSH BUTTON GREEN 120V N.O.
3	WC- 150	SWITCH, PUSH BUTTON RED 120V N.O.
4	WC-9177	DRAWER, GSG
5	WC- 435	RELAY, 120V, 3 POLE 15A
6	WC-1200	POWER CORD, 6 FT
7	WC-1504	CIRCUIT BREAKER 10A 120/220VAC
8	WC- 151	SWITCH, MICRO GSG
9	WC-6487	LEVER, BAG SWITCH GSG

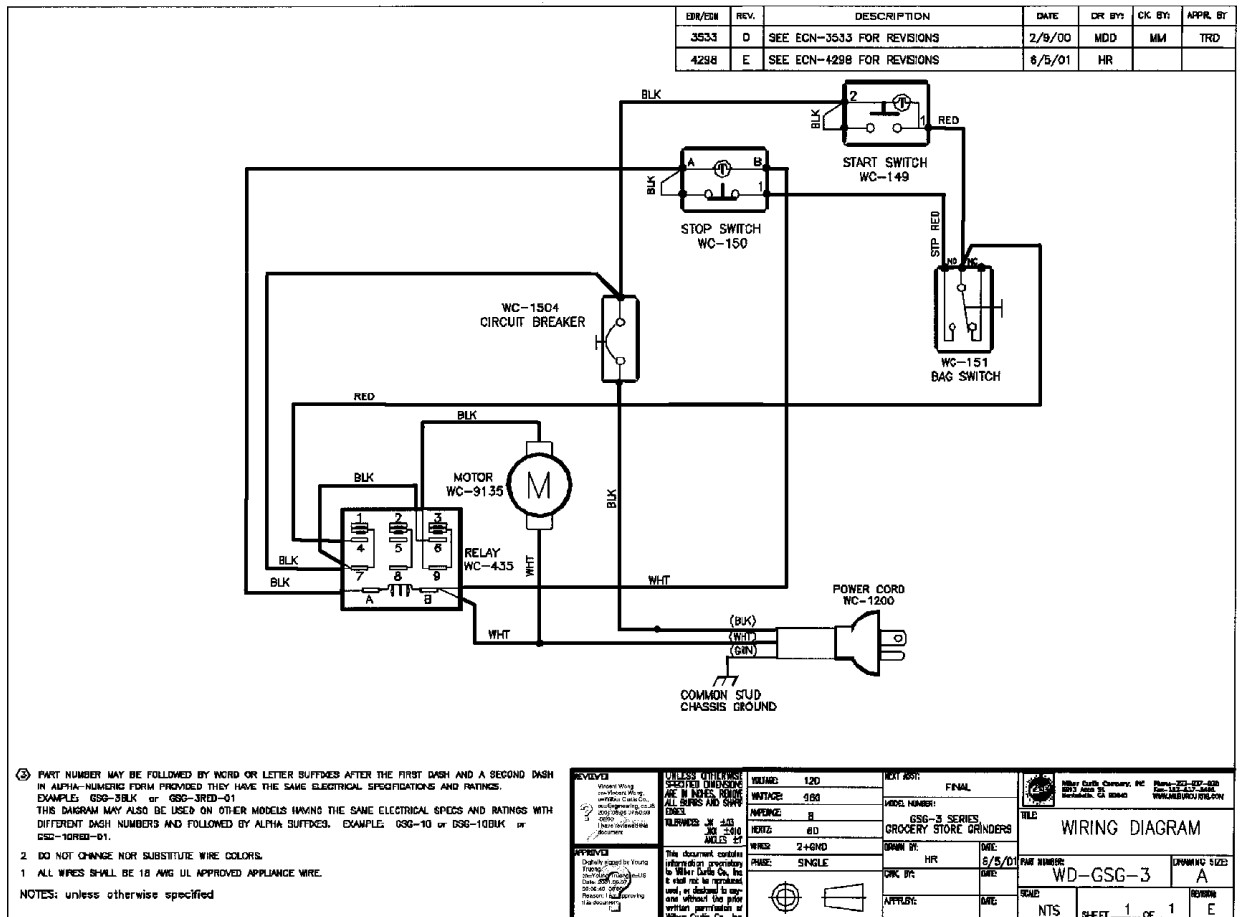
CONTINUED, PAGE 3

PARTS DIAGRAM MOTOR ASSEMBLY



Item	Part No.	Description
10	WC-91063	MOTOR ASSY, HOUSING./FEEDWORM/SHEAR GSG
11	WC-9106	SPRING, TENSIONING
12	WC-9102	FEED WORM ASSY, CCG
13	WC-9109	SHEAR DRIVE GRINDER
14	WC-9107	DISK, SHEAR COFFEE GRINDERS
15	WC-4826	SCREW, CAP 10-32 BINDER HEAD
16	WC-9108	CAP, SHEAR DISK GRINDERS
17	WC-91019	BURR, SET CRUSH FINE COFFEE GRINDERS GSG
18	WC-4613	SCREW, 5/16-18 X 1" SLOT PAN HEAD
19	WC-9175	SPRING, CAP DETENT
20	WC-9174	CAP, SPRING DETENT
21	WC-39045	LABEL, SELECTOR RING GSG
22	WC-9199	SCREW, ADJUSTING ASSY GSG
23	WC-9172	RING, DETENT GSG
24	WC-4512	SCREW, 10-32 X 3/8 PAN HEAD
25	WC-4309	WASHER, #10 FLAT, SS
26	WC-9171	KNOB, SELECTOR
27	WC-4832	SCREW, 1/4-20 X 1" SET SLOTTED
28	WC-39046	LABEL, SELECTOR KNOB GSG
29	WC-9170	COVER, HOUSING
30	WC-6671	SPOUT ASSY, HOUSING GSG

ELECTRICAL SCHEMATIC



Product Warranty Information

The Wilbur Curtis Company certifies that its products are free from defects in material and workmanship under normal use. The following limited warranties and conditions apply:

- 3 Years, Parts and Labor, from Original Date of Purchase on digital control boards.
- 2 Years, Parts, from Original Date of Purchase on all other electrical components, fittings and tubing.
- 1 Year, Labor, from Original Date of Purchase on all electrical components, fittings and tubing.

Additionally, the Wilbur Curtis Company warrants its Grinding Burrs for Forty (40) months from date of purchase or 40,000 pounds of coffee, whichever comes first. Stainless Steel components are warranted for two (2) years from date of purchase against leaking or pitting and replacement parts are warranted for ninety (90) days from date of purchase or for the remainder of the limited warranty period of the equipment in which the component is installed.

All in-warranty service calls must have prior authorization. For Authorization, call the Technical Support Department at 1-800-995-0417. Effective date of this policy is April 1, 2003.

Additional conditions may apply. Go to www.wilburcurtis.com to view the full product warranty information.

CONDITIONS & EXCEPTIONS

The warranty covers original equipment at time of purchase only. The Wilbur Curtis Company, Inc., assumes no responsibility for substitute replacement parts installed on Curtis equipment that have not been purchased from the Wilbur Curtis Company, Inc. The Wilbur Curtis Company will not accept any responsibility if the following conditions are not met. The warranty does not cover and is void under the following circumstances:

- 1) **Improper operation of equipment:** *The equipment must be used for its designed and intended purpose and function.*
- 2) **Improper installation of equipment:** *This equipment must be installed by a professional technician and must comply with all local electrical, mechanical and plumbing codes.*
- 3) **Improper voltage:** *Equipment must be installed at the voltage stated on the serial plate supplied with this equipment.*
- 4) **Improper water supply:** *This includes, but is not limited to, excessive or low water pressure, and inadequate or fluctuating water flow rate.*
- 5) **Adjustments and cleaning:** *The resetting of safety thermostats and circuit breakers, programming and temperature adjustments are the responsibility of the equipment owner. The owner is responsible for proper cleaning and regular maintenance of this equipment.*
- 6) **Damaged in transit:** *Equipment damaged in transit is the responsibility of the freight company and a claim should be made with the carrier.*
- 7) **Abuse or neglect (including failure to periodically clean or remove lime accumulations):** *Manufacturer is not responsible for variation in equipment operation due to excessive lime or local water conditions. The equipment must be maintained according to the manufacturer's recommendations.*
- 8) **Replacement of items subject to normal use and wear:** *This shall include, but is not limited to, light bulbs, shear disks, "O" rings, gaskets, silicone tube, canister assemblies, whipper chambers and plates, mixing bowls, agitation assemblies and whipper propellers.*
- 9) **Repairs and/or Replacements** *are subject to our decision that the workmanship or parts were faulty and the defects showed up under normal use. All labor shall be performed during regular working hours. Overtime charges are the responsibility of the owner. Charges incurred by delays, waiting time, or operating restrictions that hinder the service technician's ability to perform service is the responsibility of the owner of the equipment. This includes institutional and correctional facilities. The Wilbur Curtis Company will allow up to 100 miles, round trip, per in-warranty service call.*

RETURN MERCHANDISE AUTHORIZATION: *All claims under this warranty must be submitted to the Wilbur Curtis Company Technical Support Department prior to performing any repair work or return of this equipment to the factory. All returned equipment must be repackaged properly in the original carton. No units will be accepted if they are damaged in transit due to improper packaging. **NO UNITS OR PARTS WILL BE ACCEPTED WITHOUT A RETURN MERCHANDISE AUTHORIZATION (RMA). RMA NUMBER MUST BE MARKED ON THE CARTON OR SHIPPING LABEL.** All in-warranty service calls must be performed by an authorized service agent. Call the Wilbur Curtis Technical Support Department to find an agent near you.*



WILBUR CURTIS CO., INC.
6913 Acco St., Monte Bello, CA 90640-5403 USA
Phone: 800/421-6150 ♦ Fax: 323-837-2410
♦ Technical Service Phone: 800/995-0417 (M-F 5:30A - 4:00P PST) ♦ E-Mail: techservice@wilburcurtis.com
♦ Web Site: www.wilburcurtis.com

FOR THE LATEST SPECIFICATION INFORMATION GO TO WWW.WILBURCURTIS.COM